



SLID'UP
BY MANTION

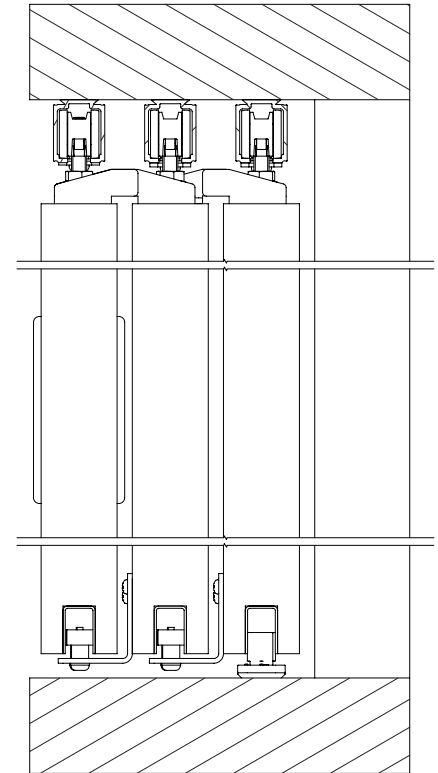
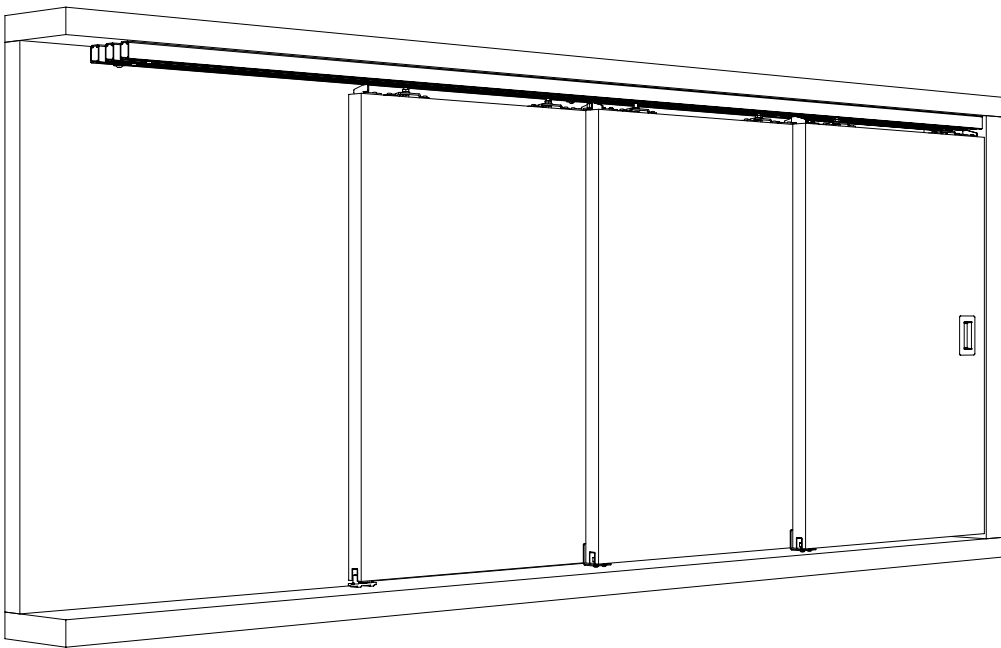
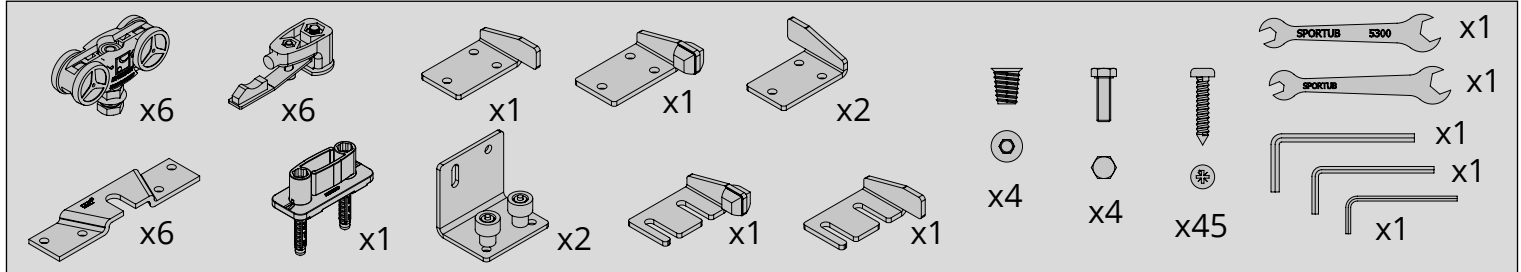
ASSEMBLY
INSTRUCTIONS

SLID'UP 2500

SU2503_NA

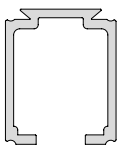
Door thickness:
1-3/8" or 1-3/4"

DO NOT THROW
THE PANELS



OPTIONS

SU5018



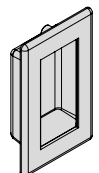
SU5013

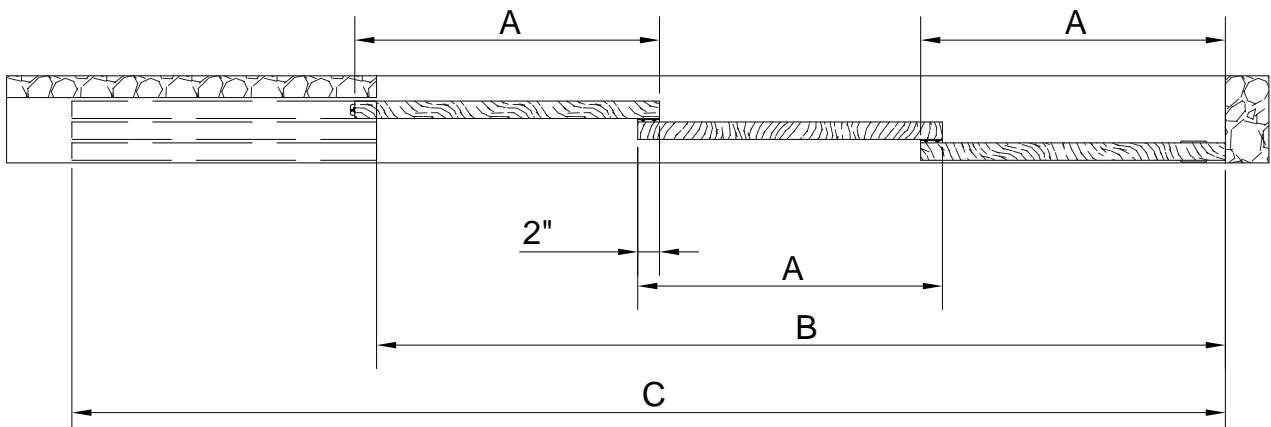
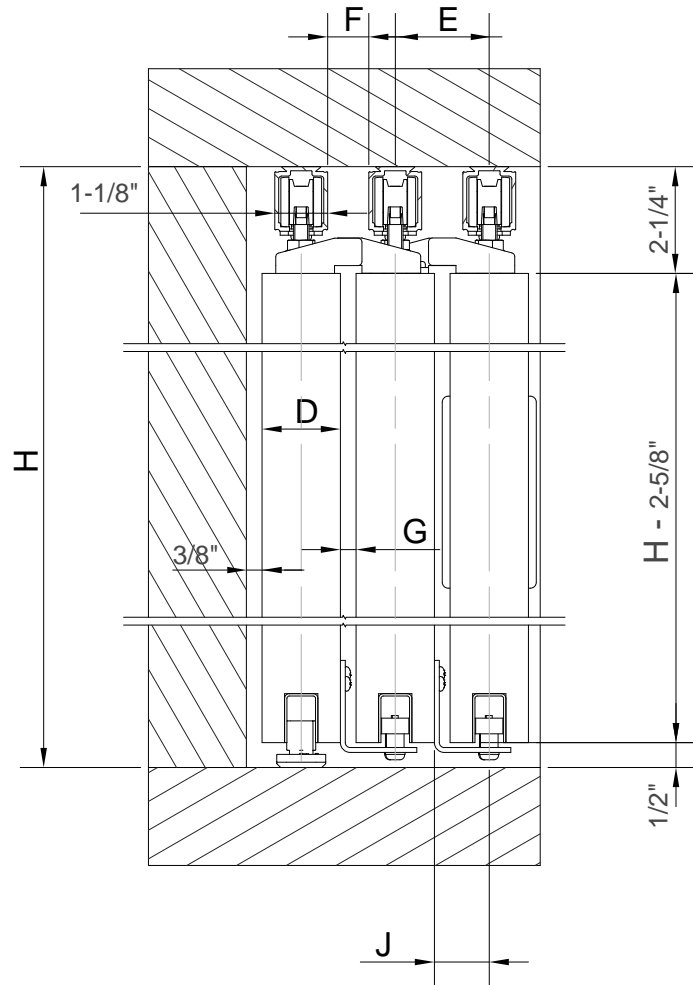


SU5022



SU1724





$A = \frac{B}{3} + 2''$ $C = A + B$ $C = \frac{4}{3} \times B + 2''$

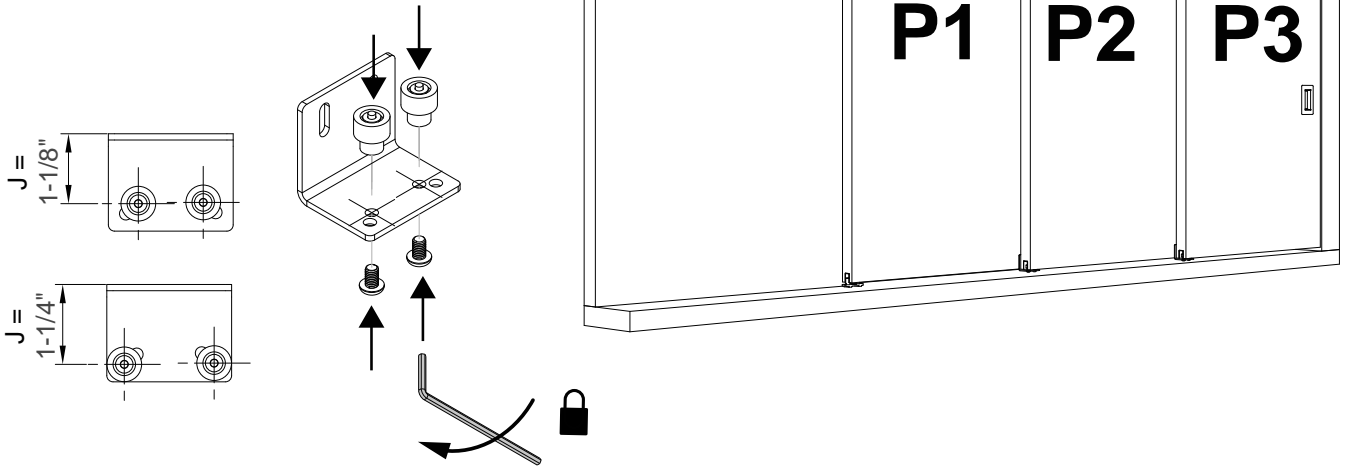
| D | E | F | G | J |
|--------|--------|---------|------|---------|
| 1-3/8" | 1-3/4" | 3/4" | 3/8" | 1-3/32" |
| 1-3/4" | 2-1/8" | 1-1/16" | 3/8" | 1-1/4" |

| A | B | C |
|-----|------|------|
| 26" | 72" | 98" |
| 28" | 78" | 106" |
| 30" | 84" | 114" |
| 32" | 90" | 122" |
| 34" | 96" | 130" |
| 36" | 102" | 138" |

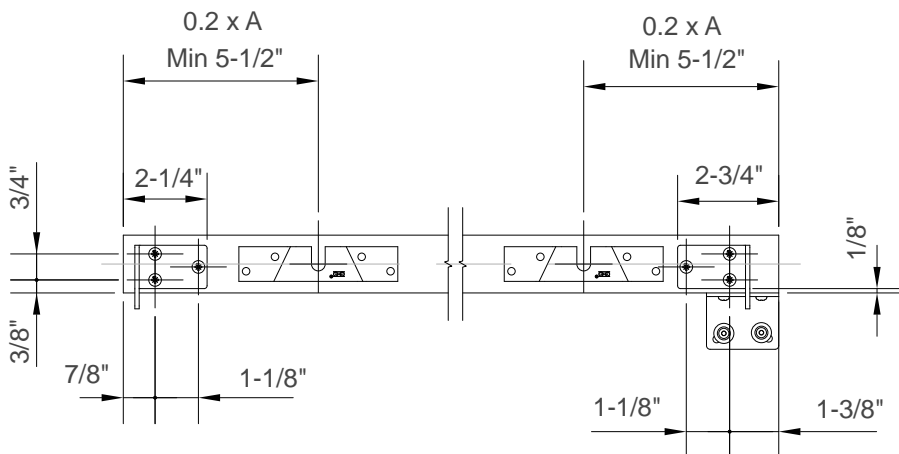
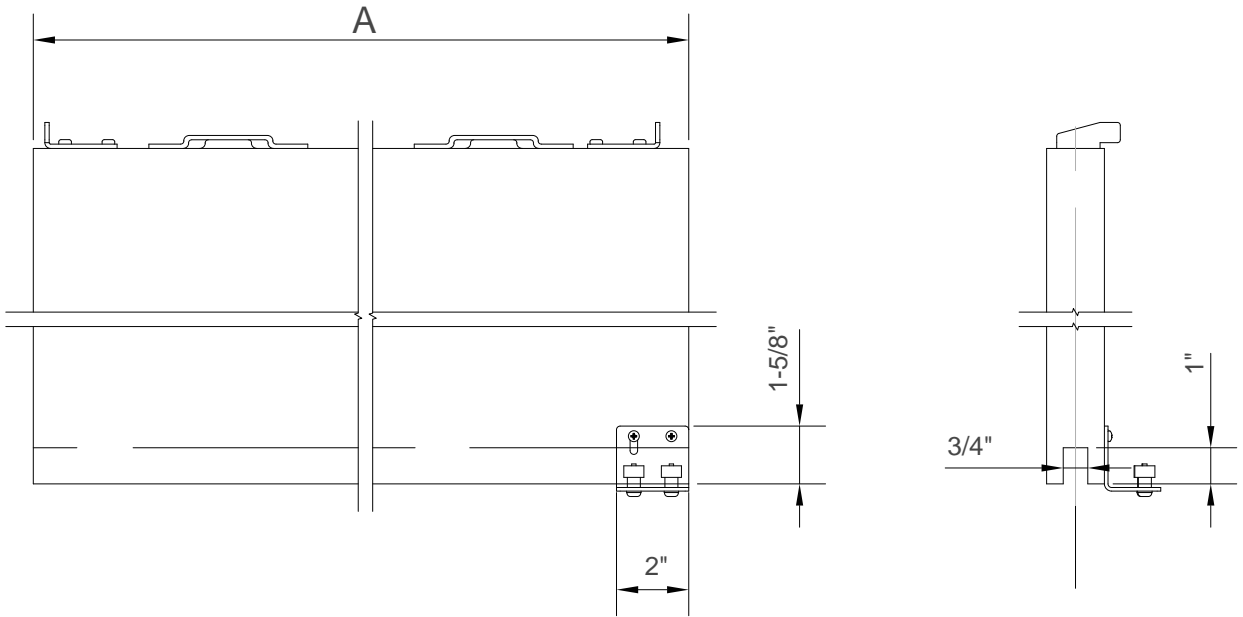




P1

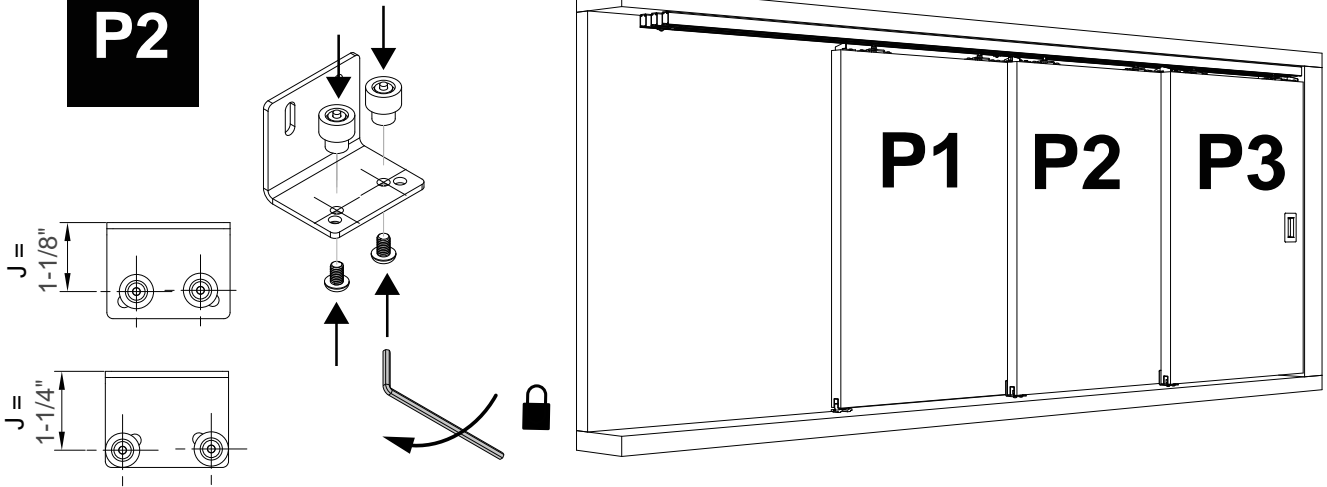


P1

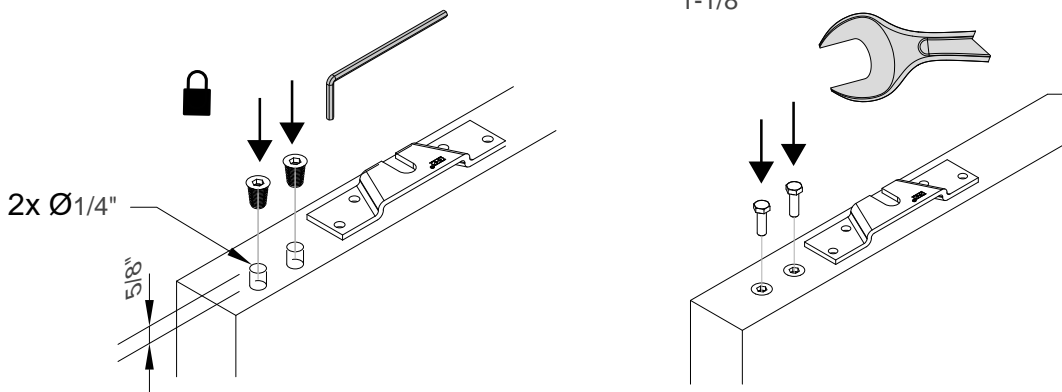
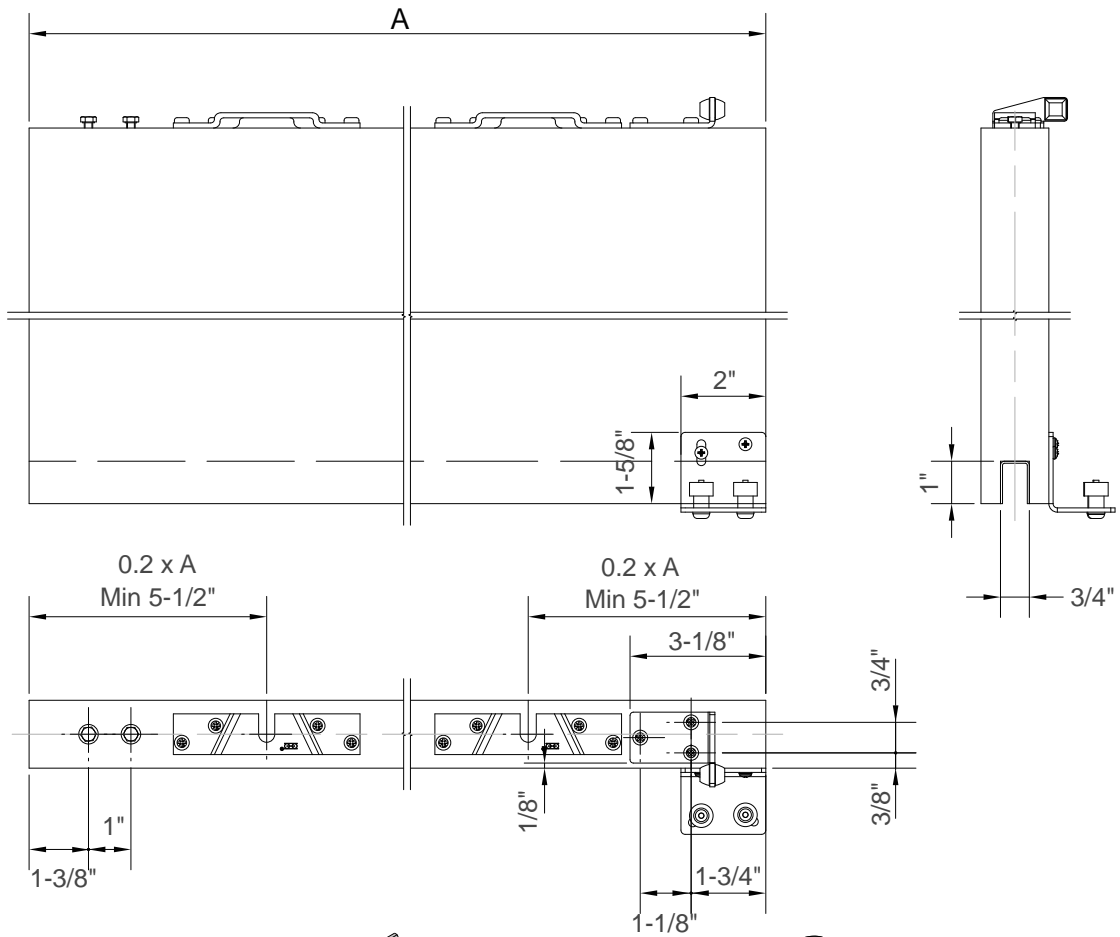




P2

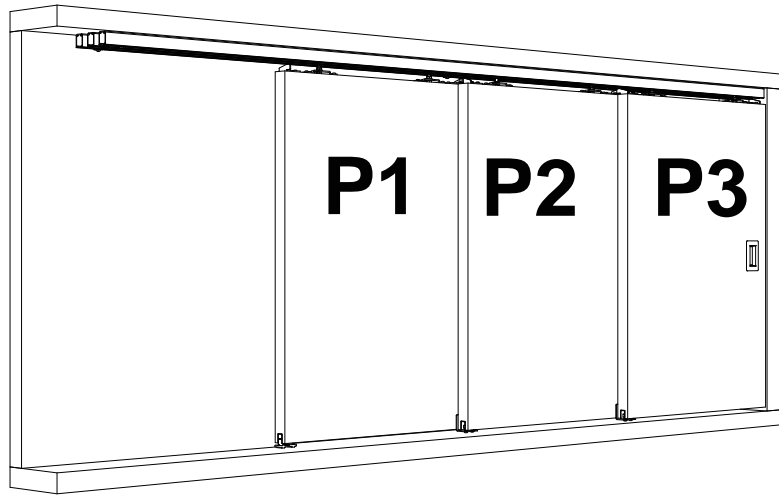


P2





P3



P3

