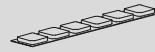


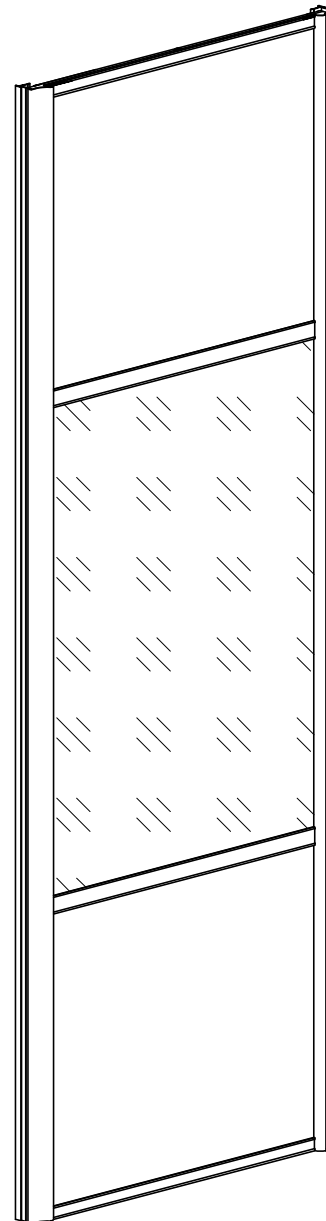
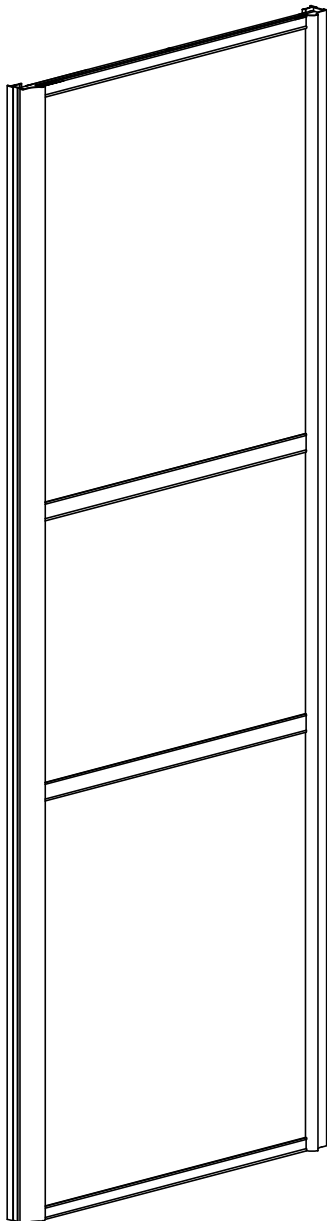
x1

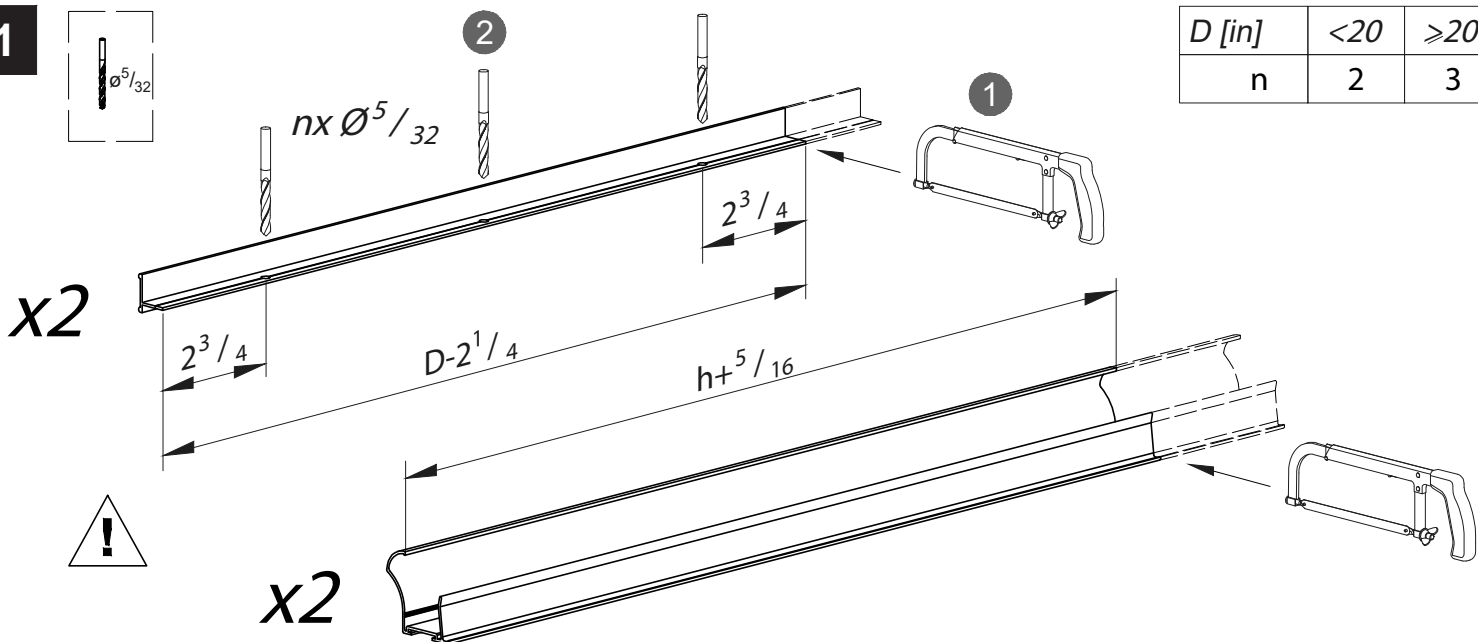
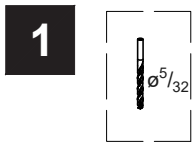
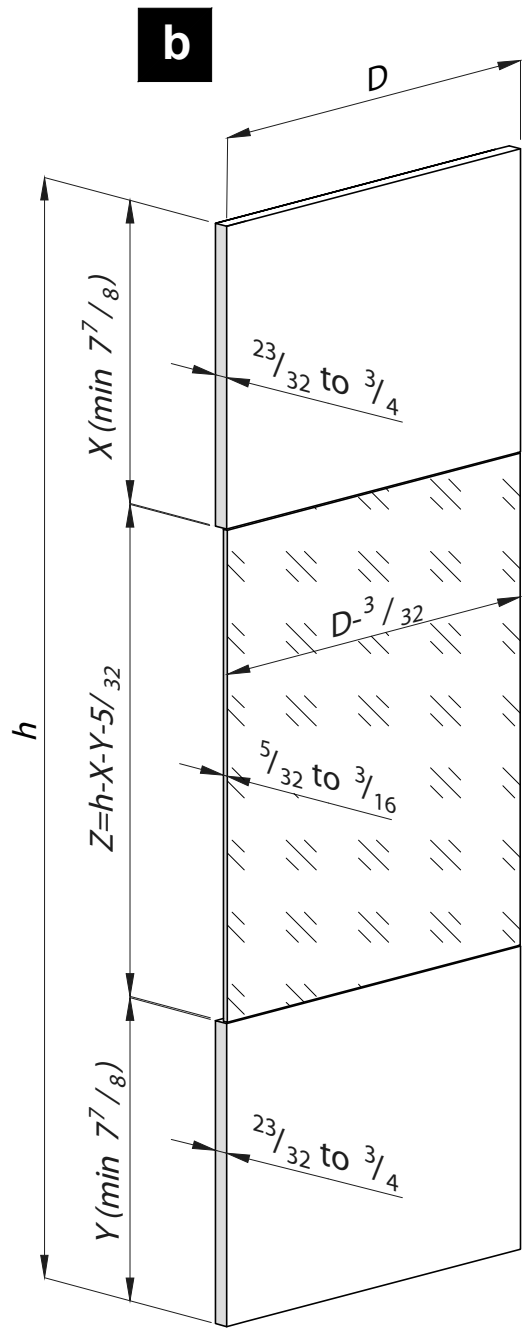
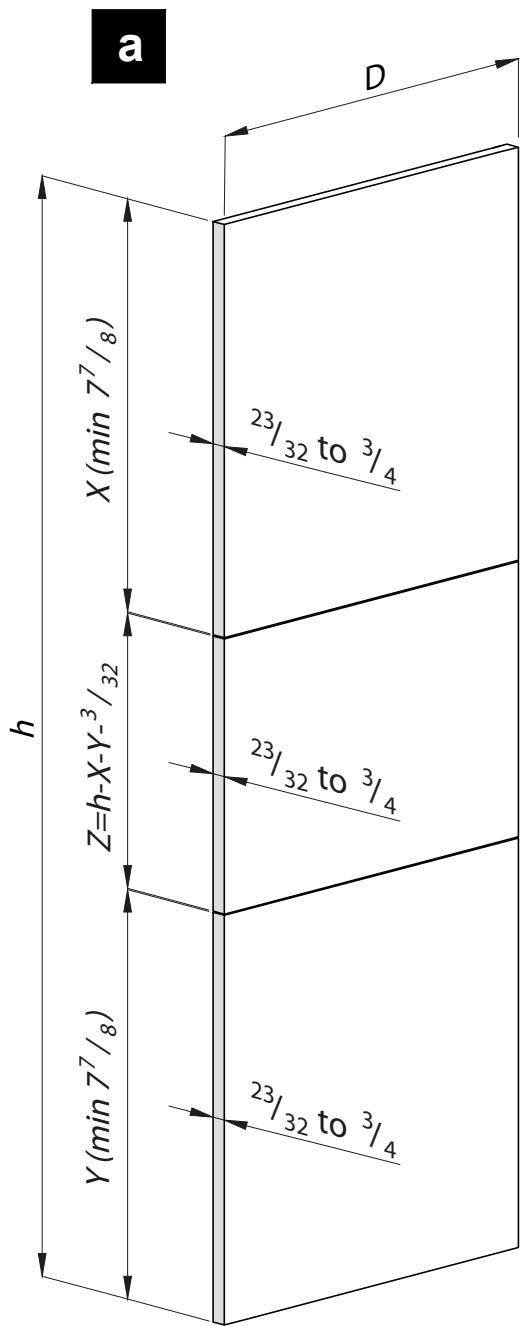


x20

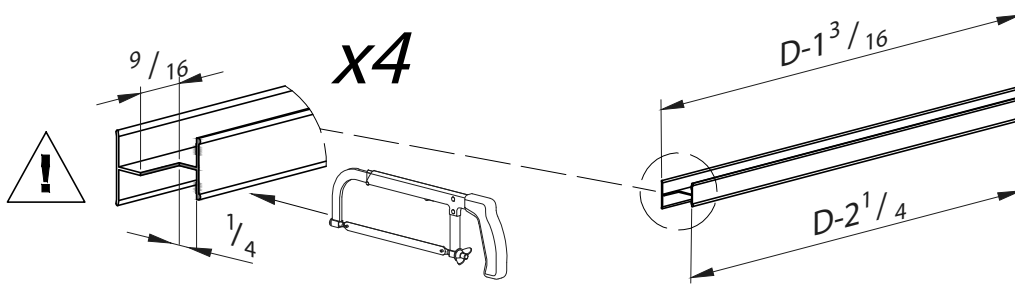


x2

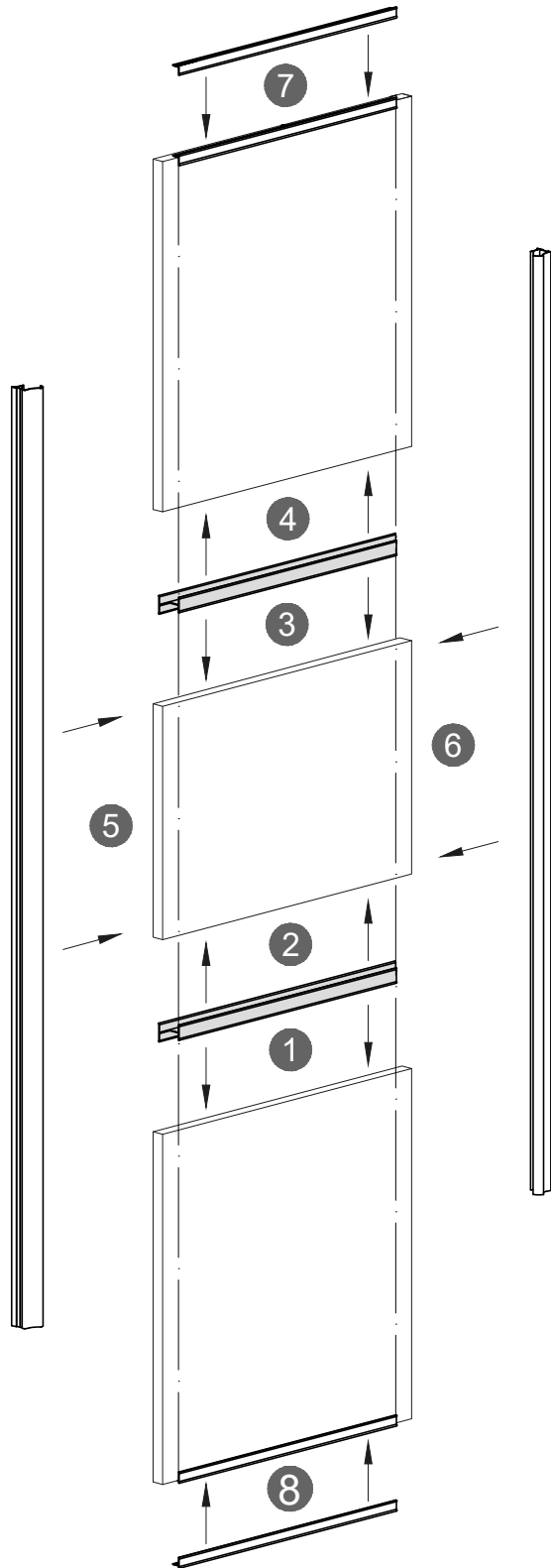
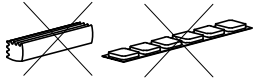




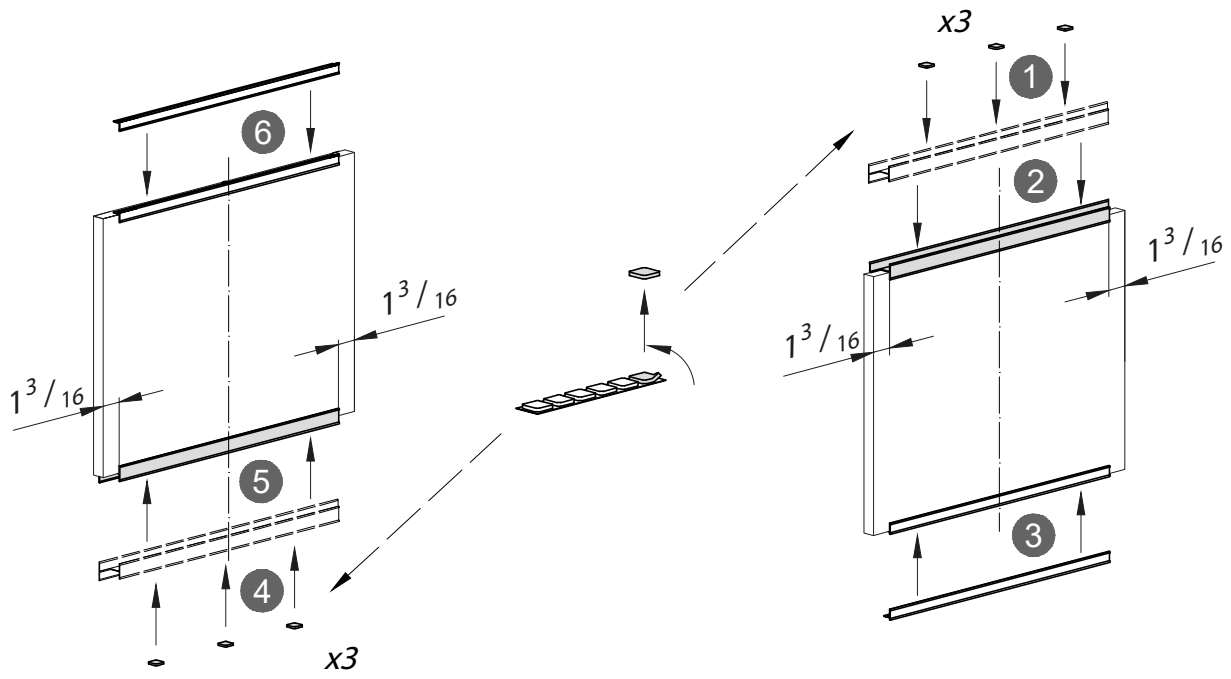
D [in]	<20	≥20
n	2	3



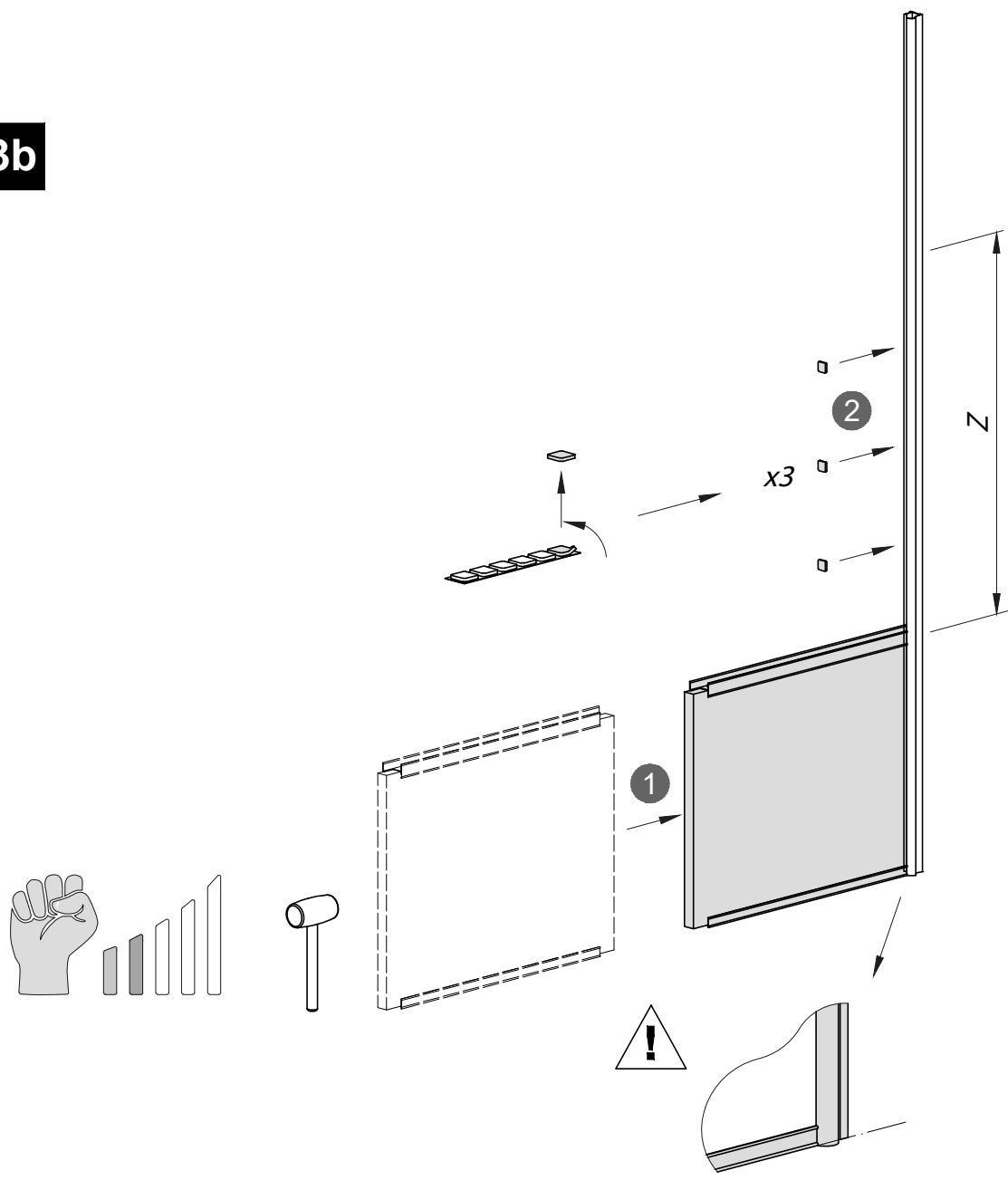
**2a**



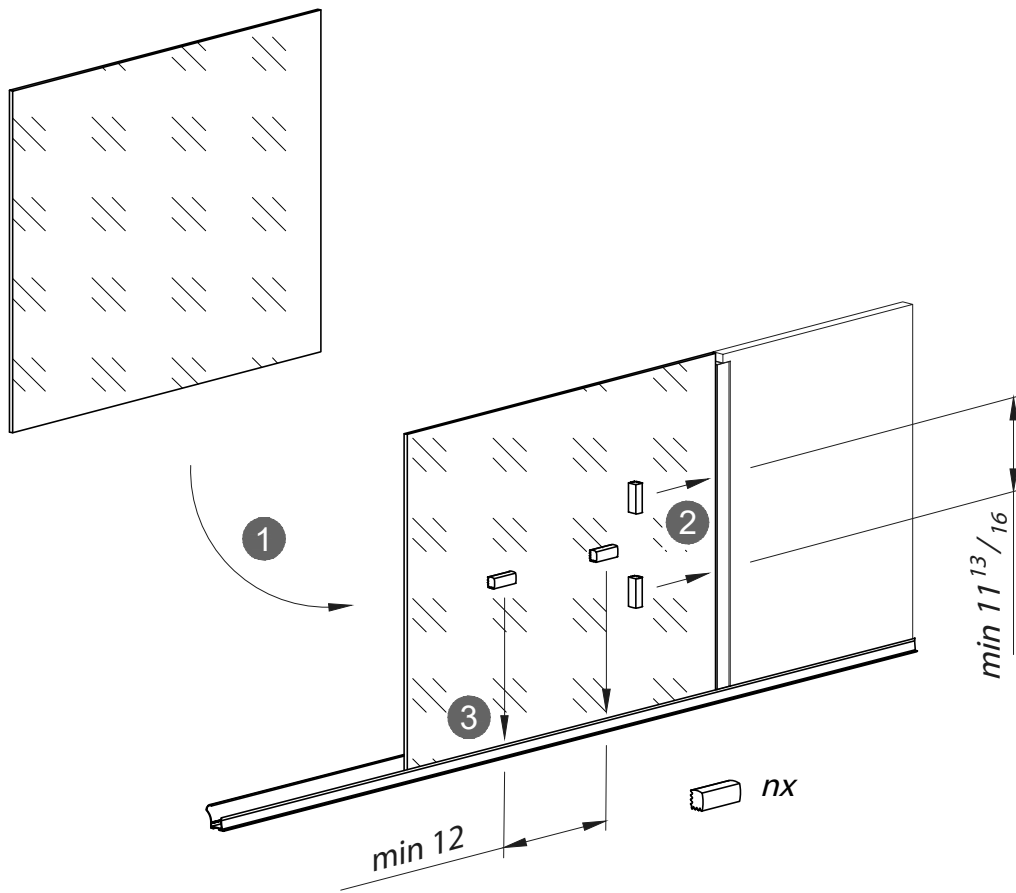
2b



3b

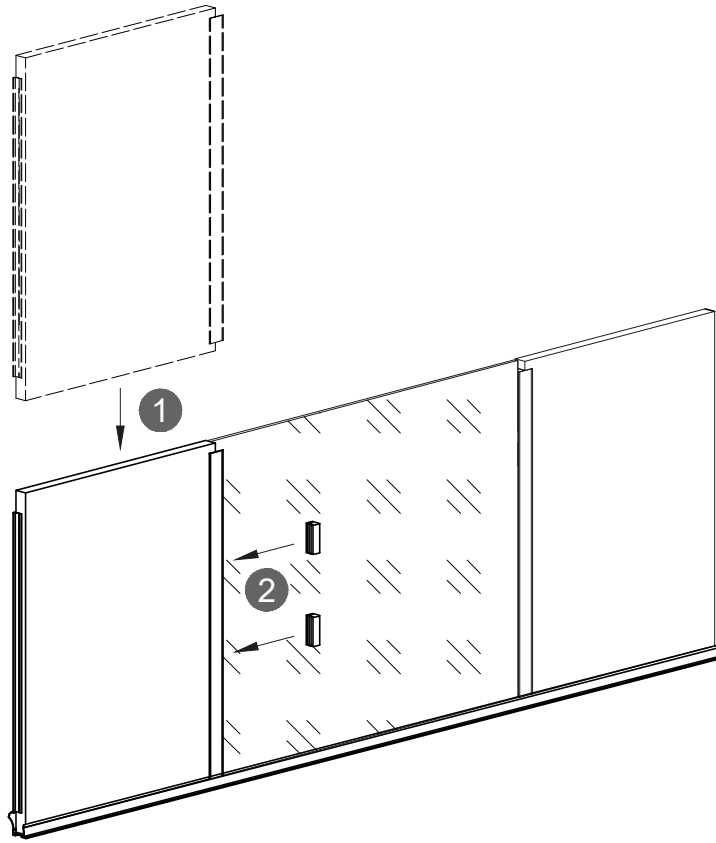
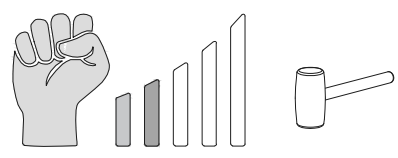


4b



D,Z [in]	<12	<24	<36	<48	<59	<83	<95
n	2	3	4	5	6	7	8

5b



6b

