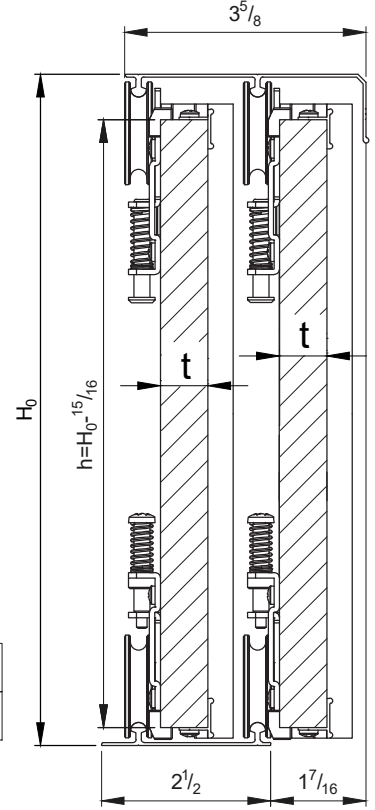


$$d = \frac{L_0 + (n-1) \cdot z}{n}$$

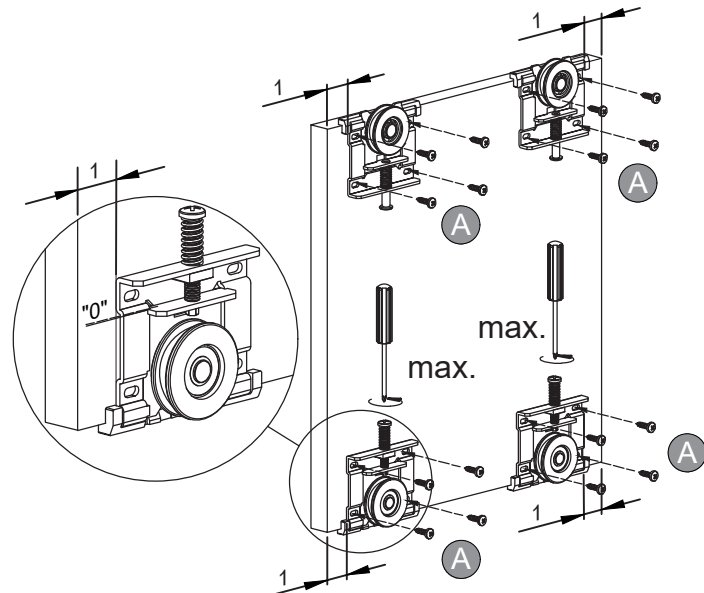
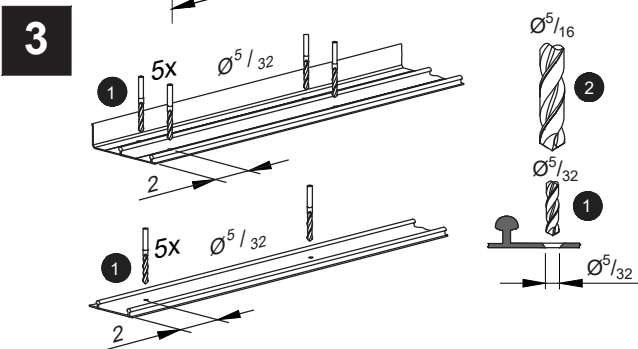
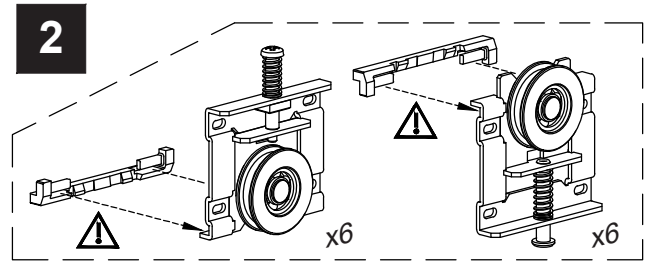
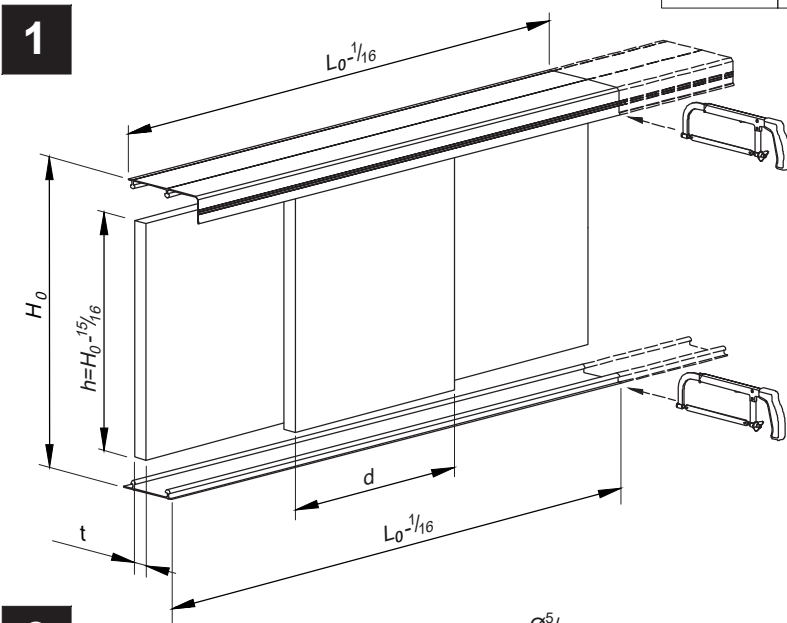
$$z = 1\frac{9}{16}$$

$$d = \frac{L_0 + 2 \cdot z}{3}$$

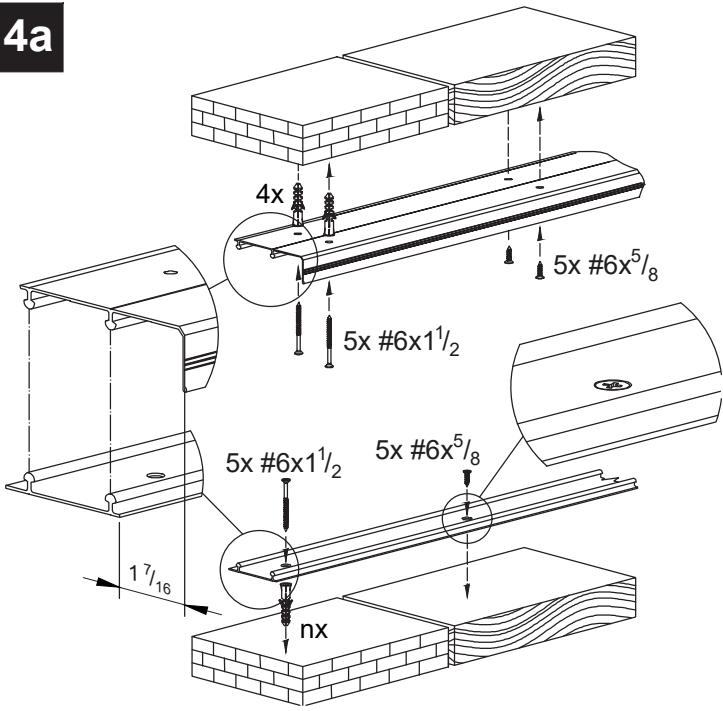
$$z = 1\frac{9}{16}$$



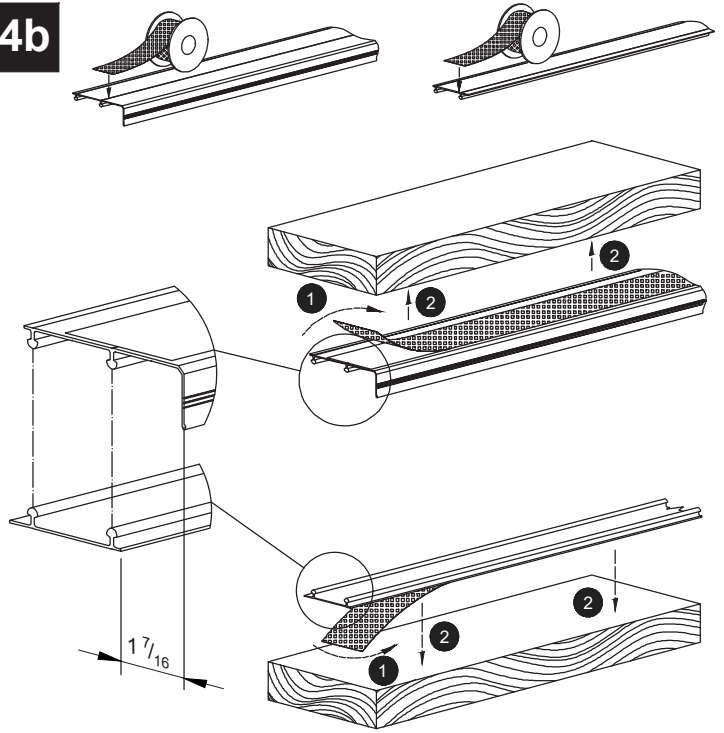
SLID'UP	210	220	230
t[in]	5/8	23/32	3/4



4a

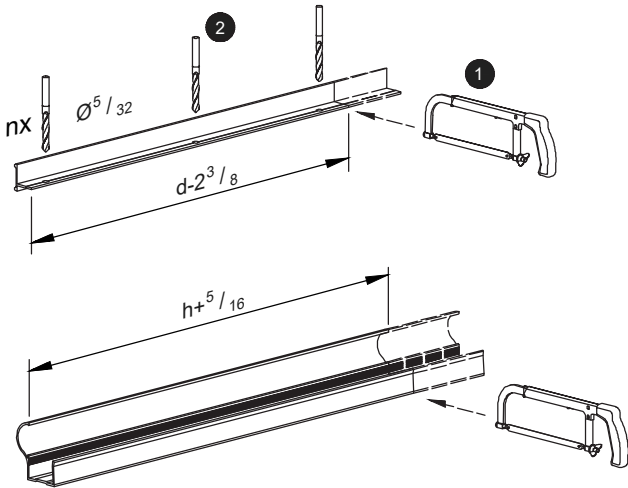


4b

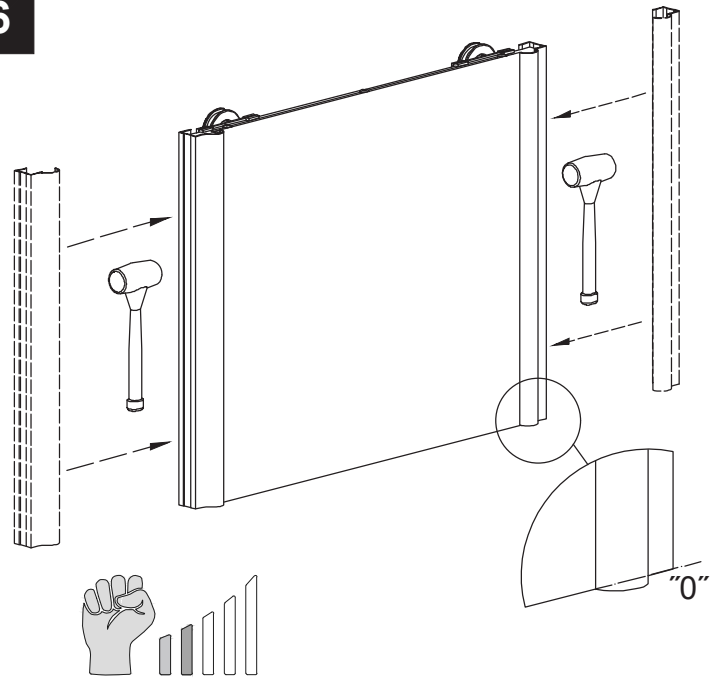


5

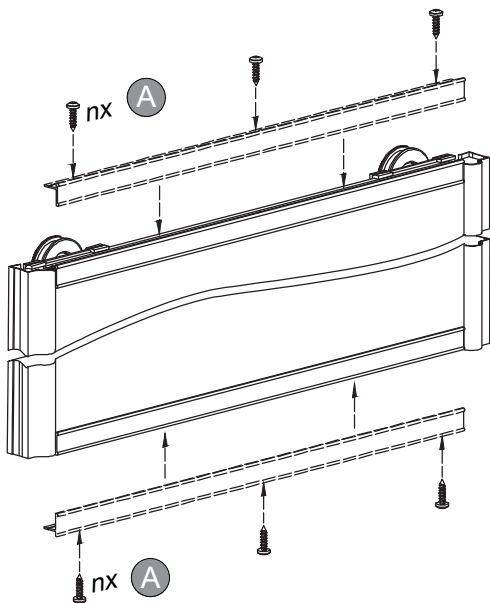
d [in]	<20	≥20
n	2	3

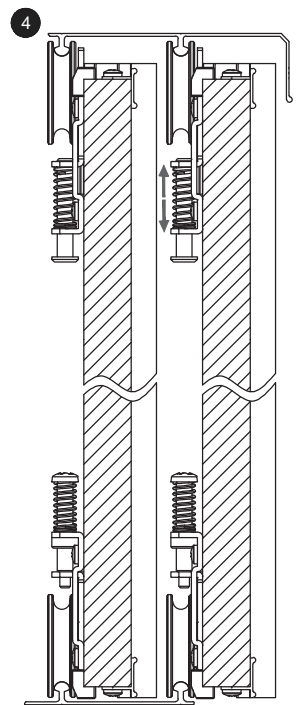
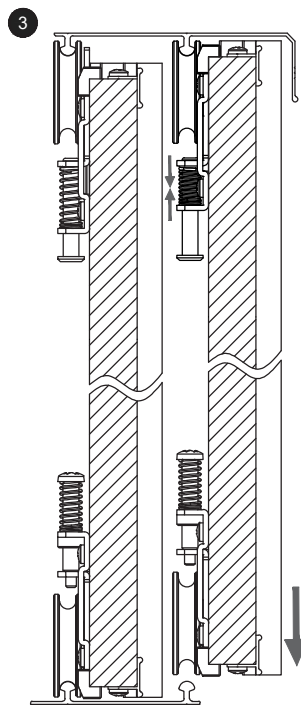
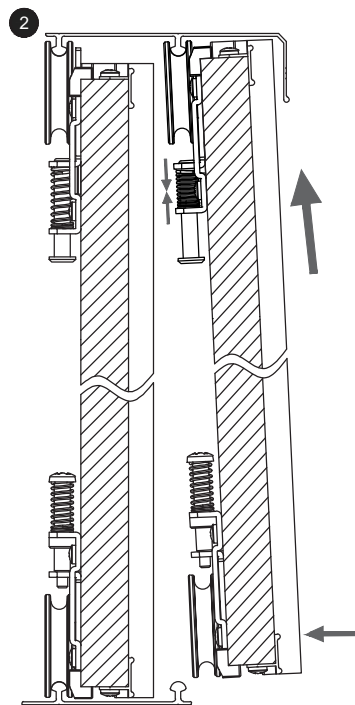
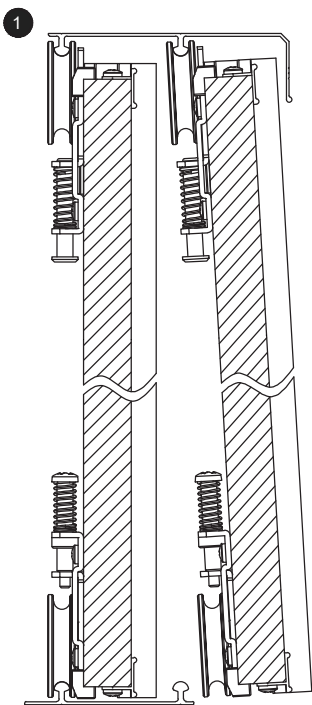
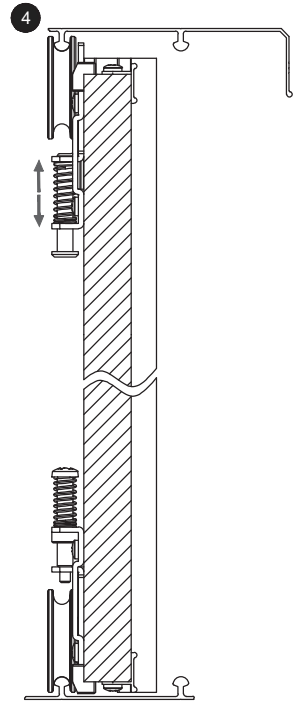
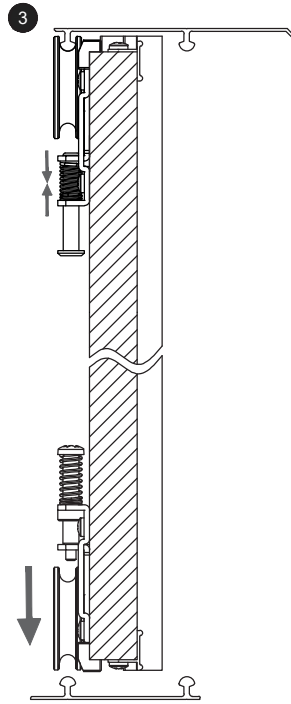
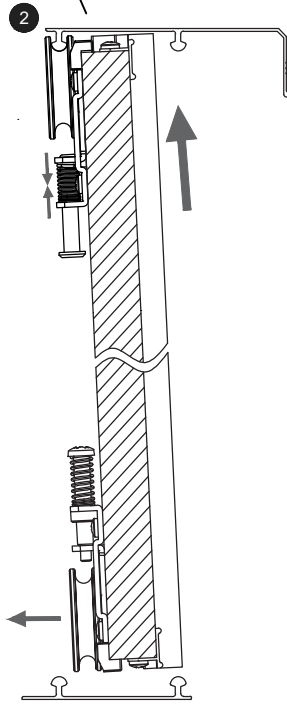
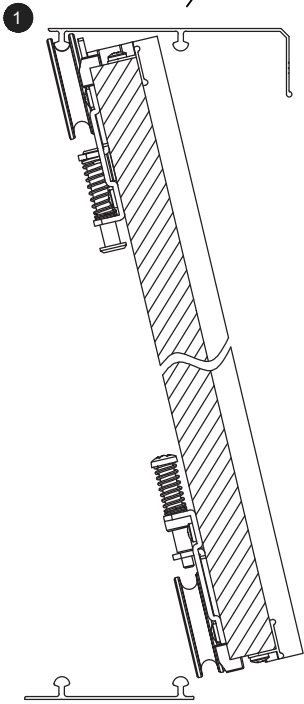
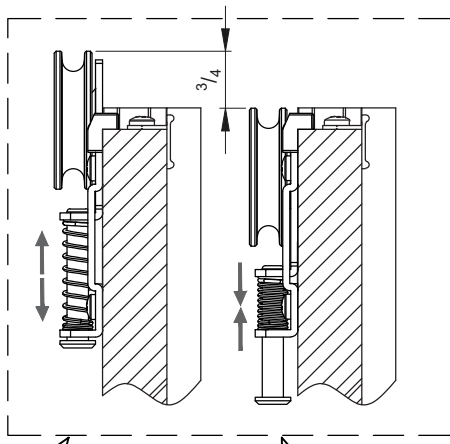


6

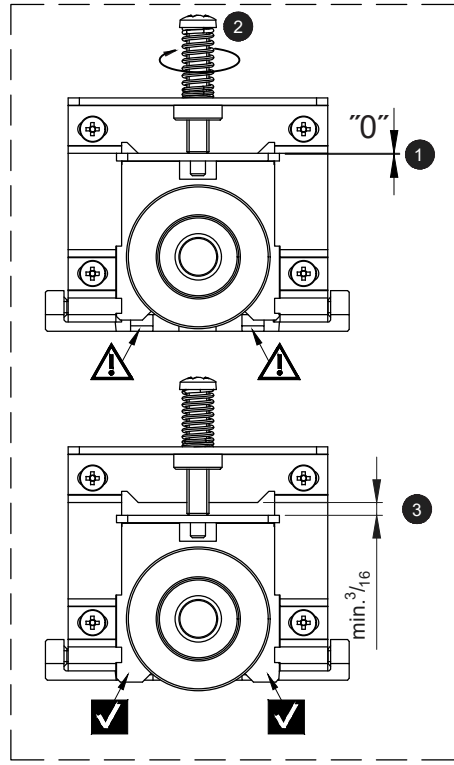
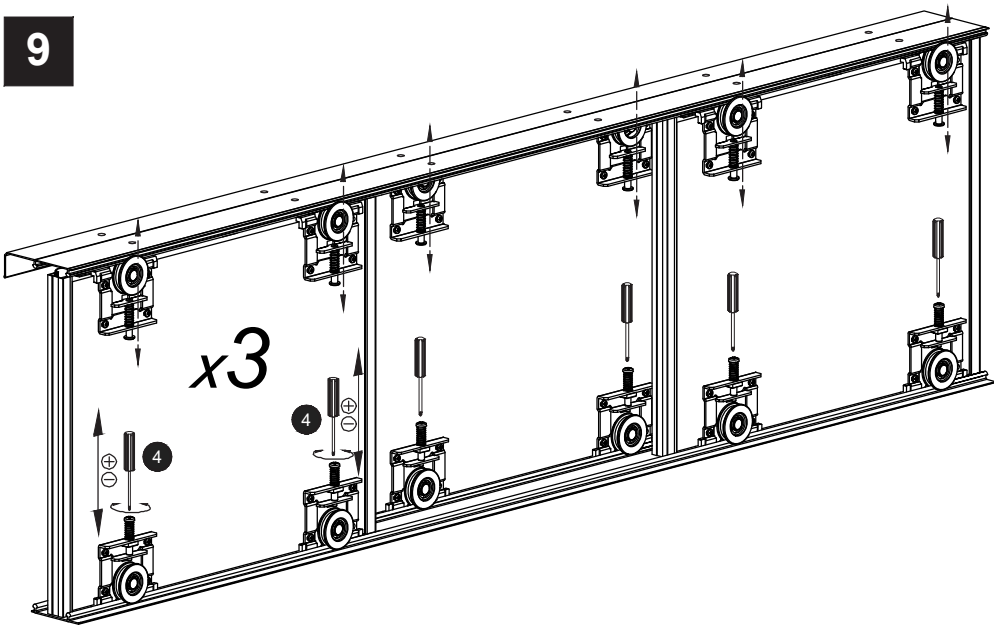


7

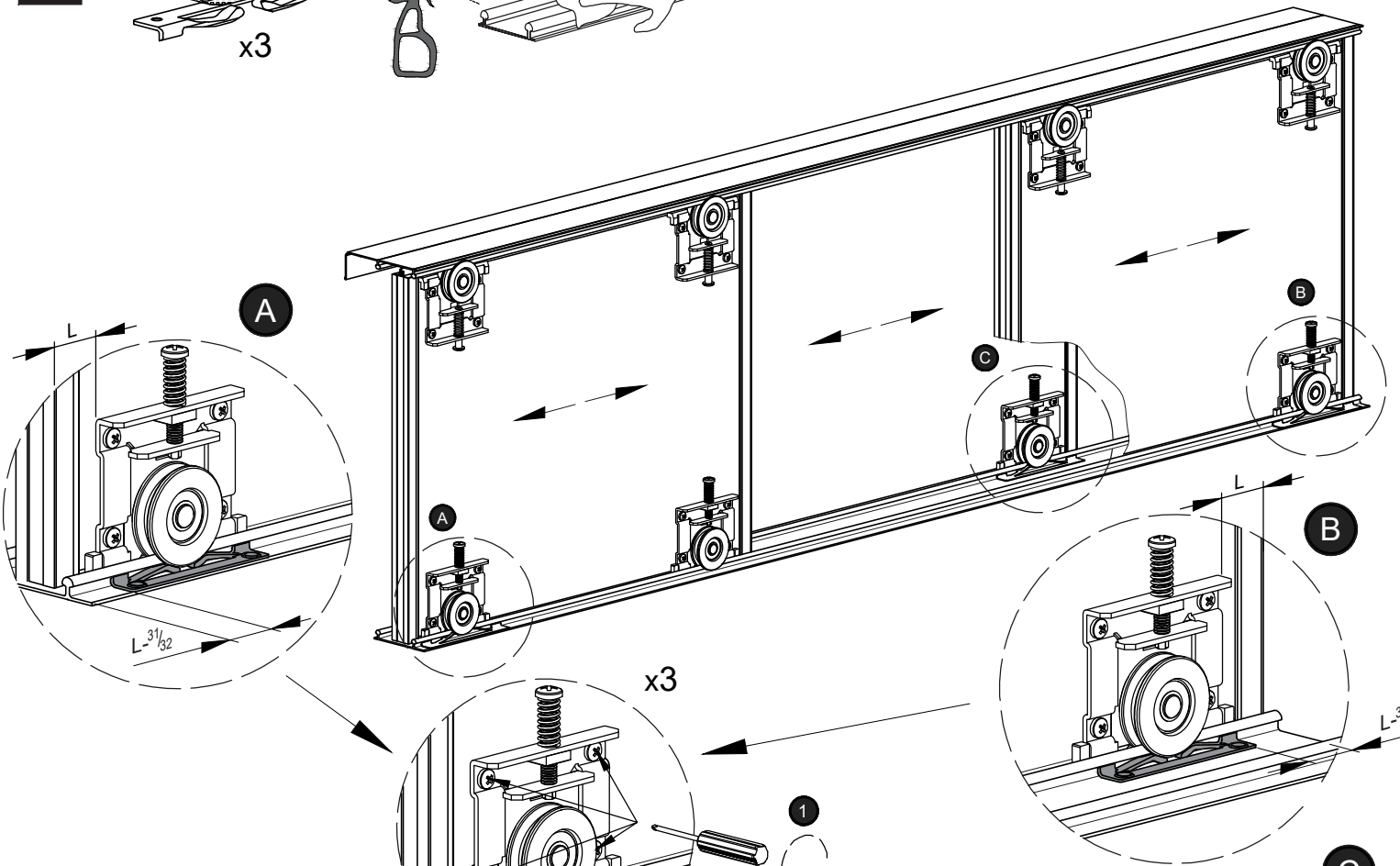
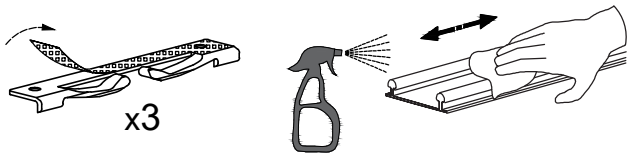




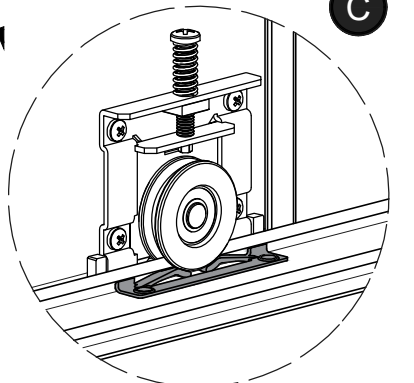
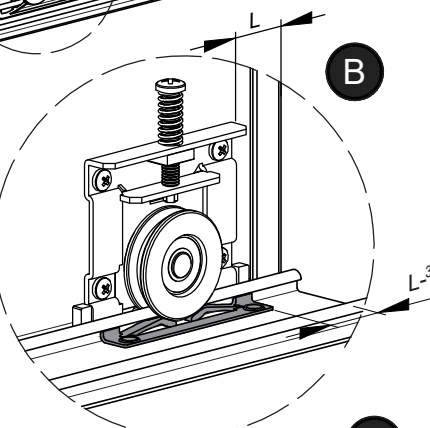
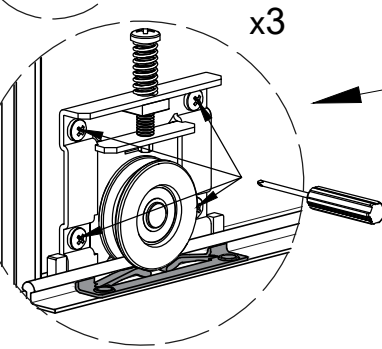
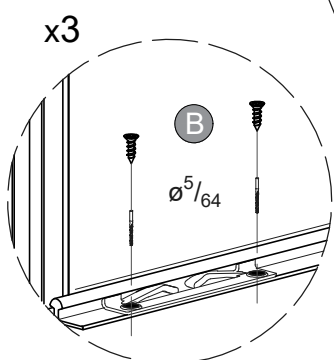
9




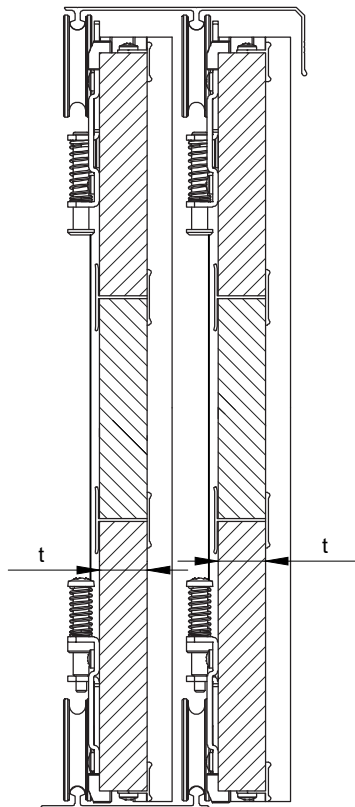
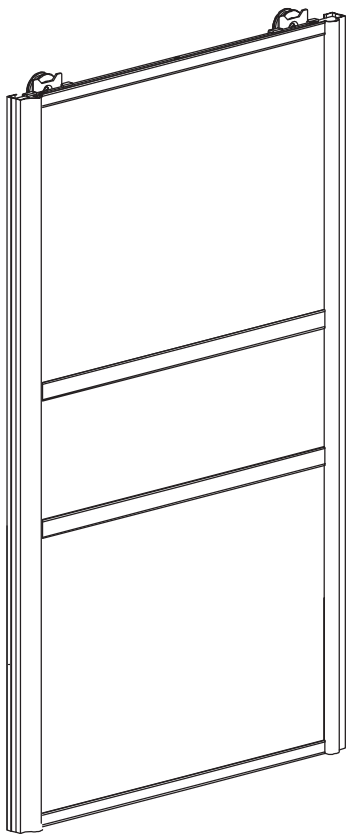
10



11



a SU5288 SU5482 



SLID'UP	210	220	230
t[in]	5/8	23/32	3/4

b SU5263 SU5264 SU5314 SU5265 SU5484   

