

x1



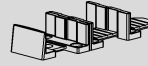
x2



x2



x2



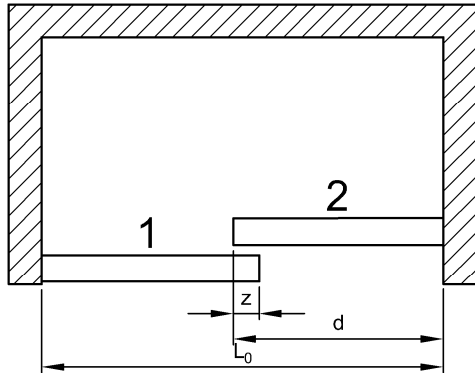
x1



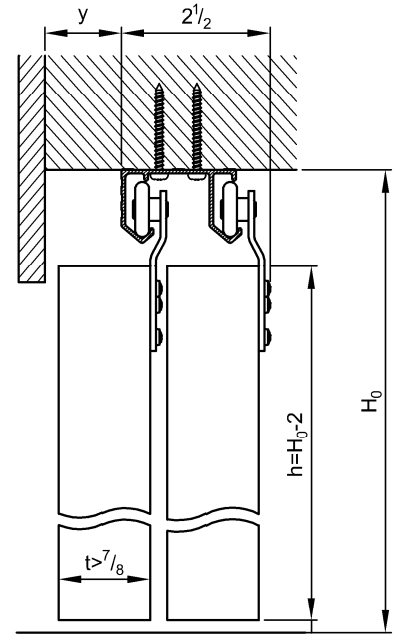
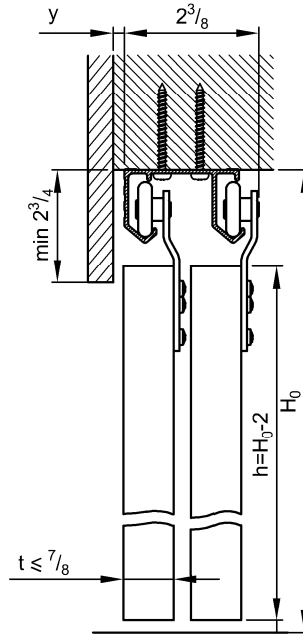
x1



x1

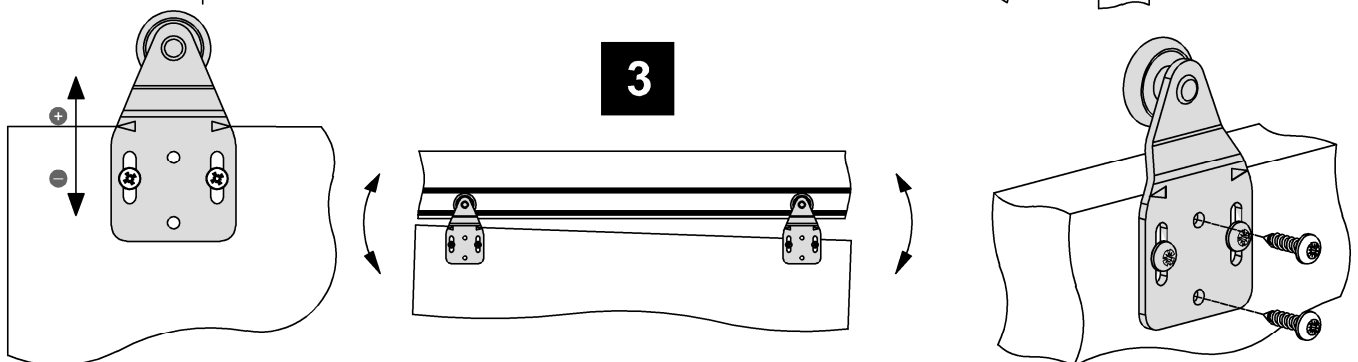
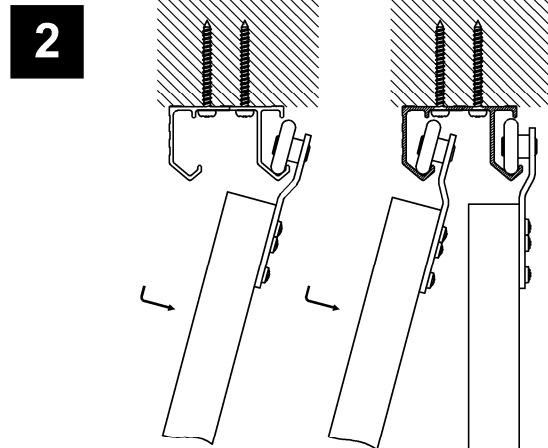
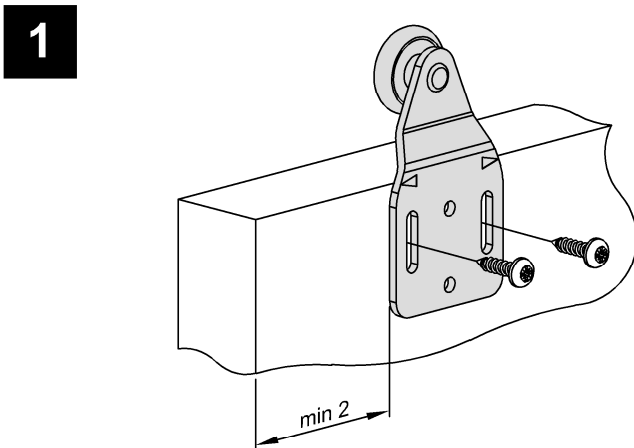


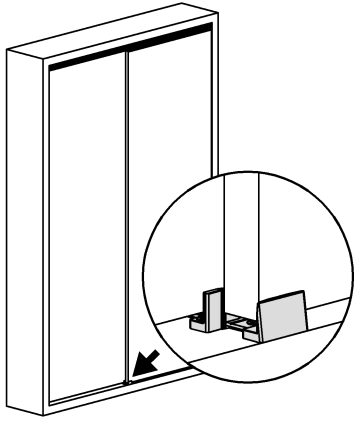
$$d = (L_0 + z) / 2$$



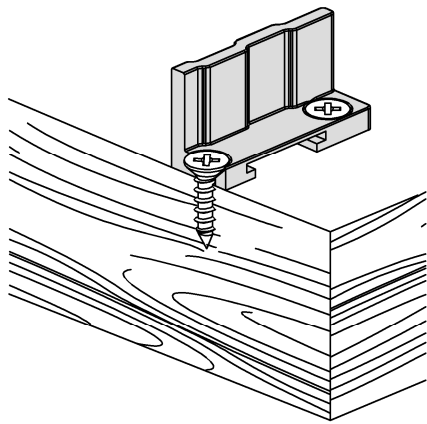
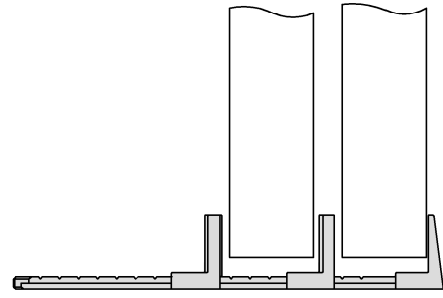
t [in]	5/8	1 1/16	3/4	7/8	3/16 - 7/16
y [in]	0	1/16	3/16		

t [in]	> 7/8	3/16 - 7/16
y [in]	t - 3/8	

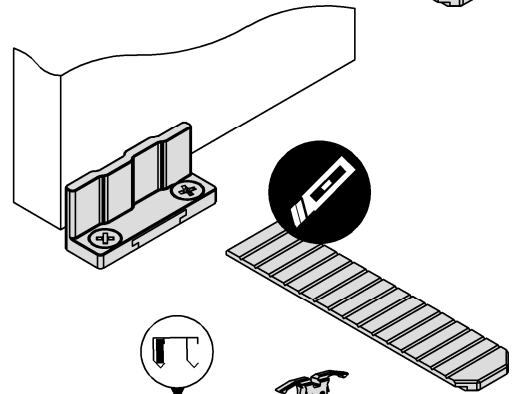
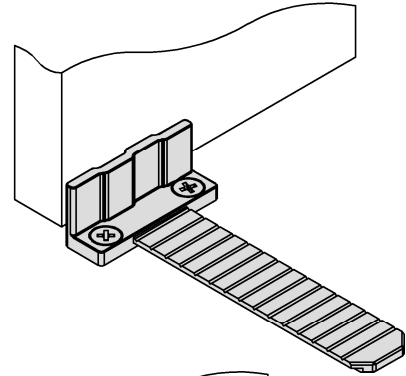




4



5



6

