



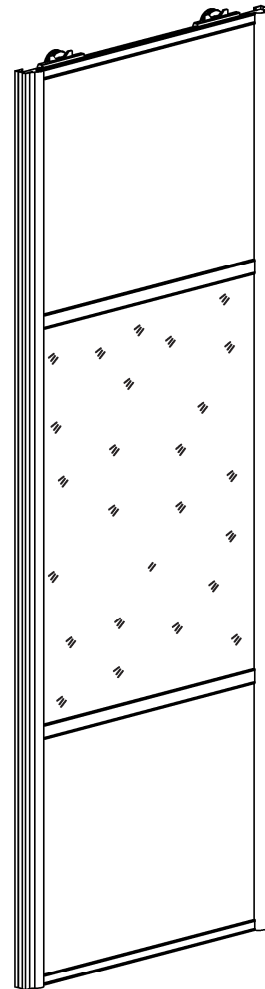
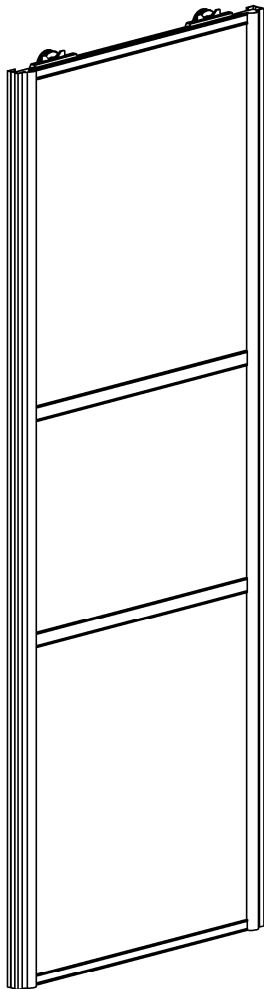
x1

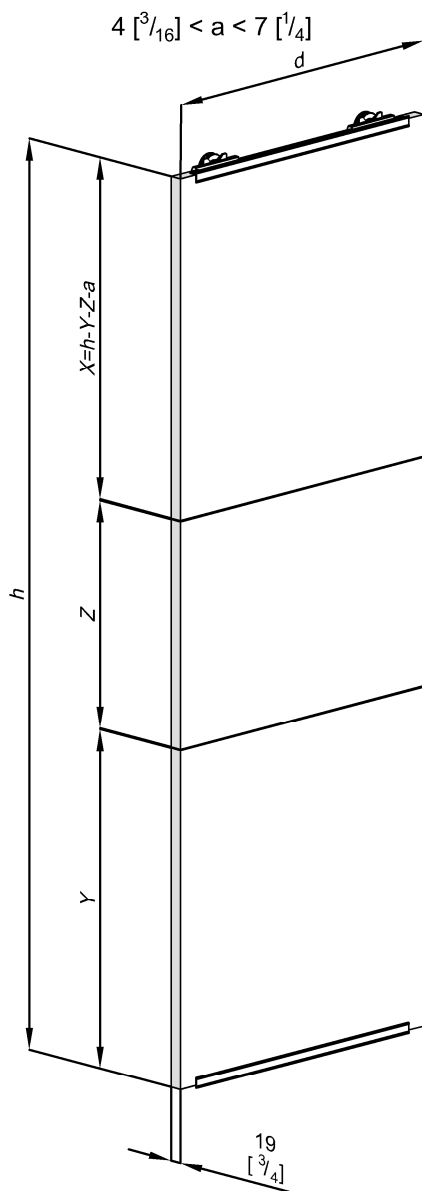
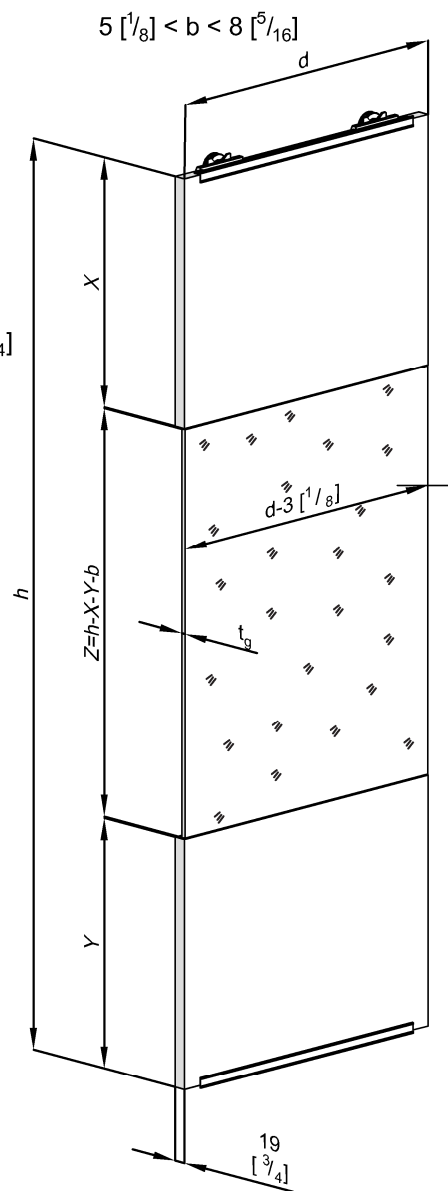


x16

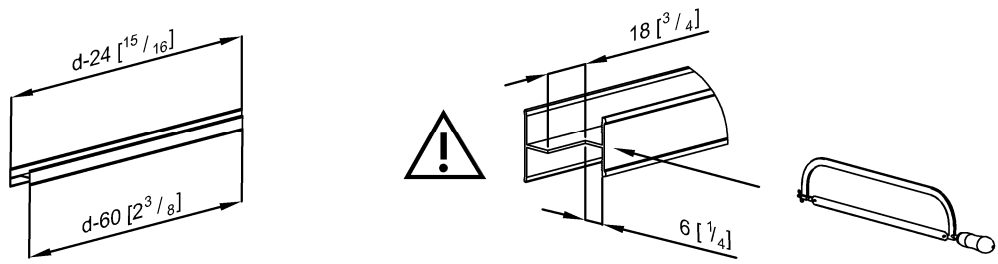


x2

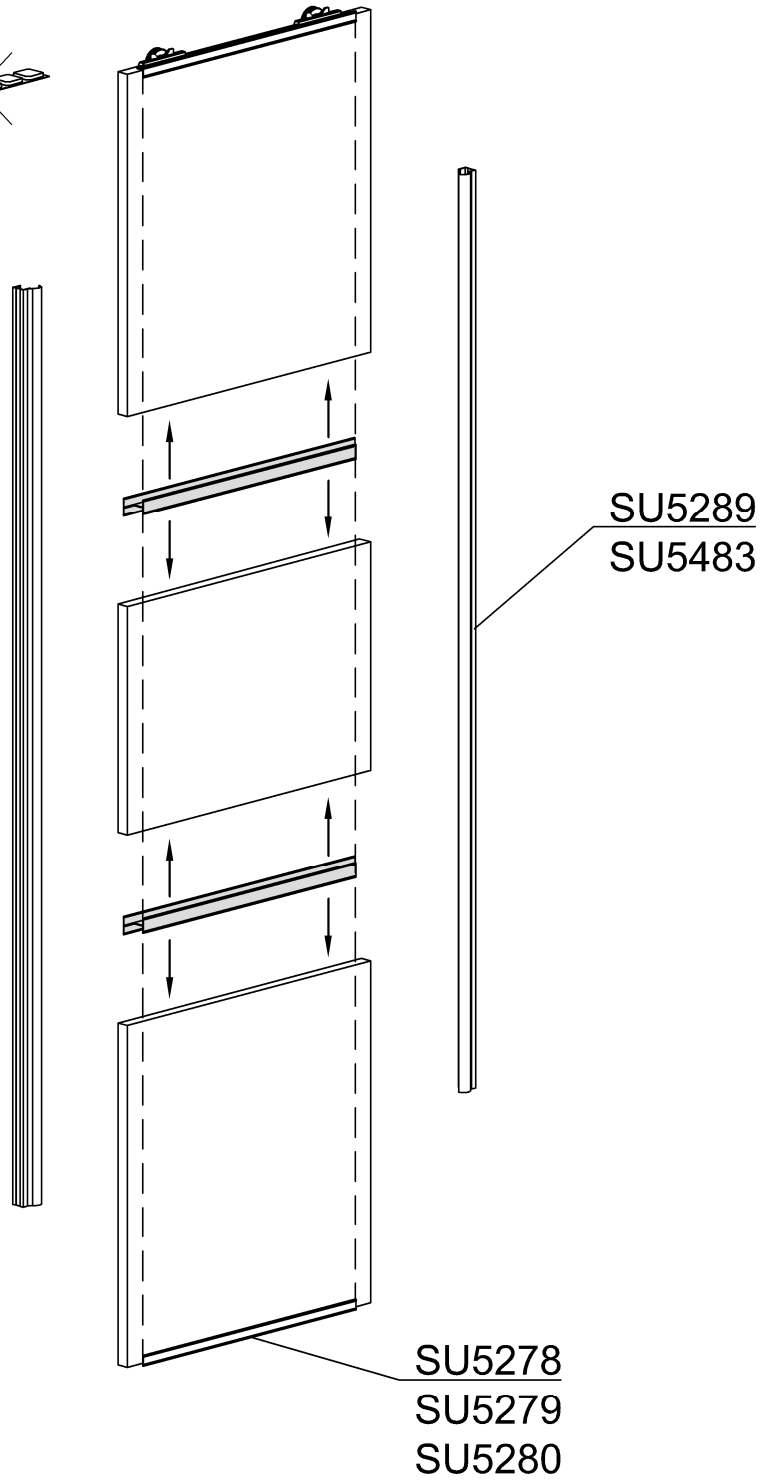
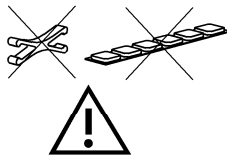


a**b**

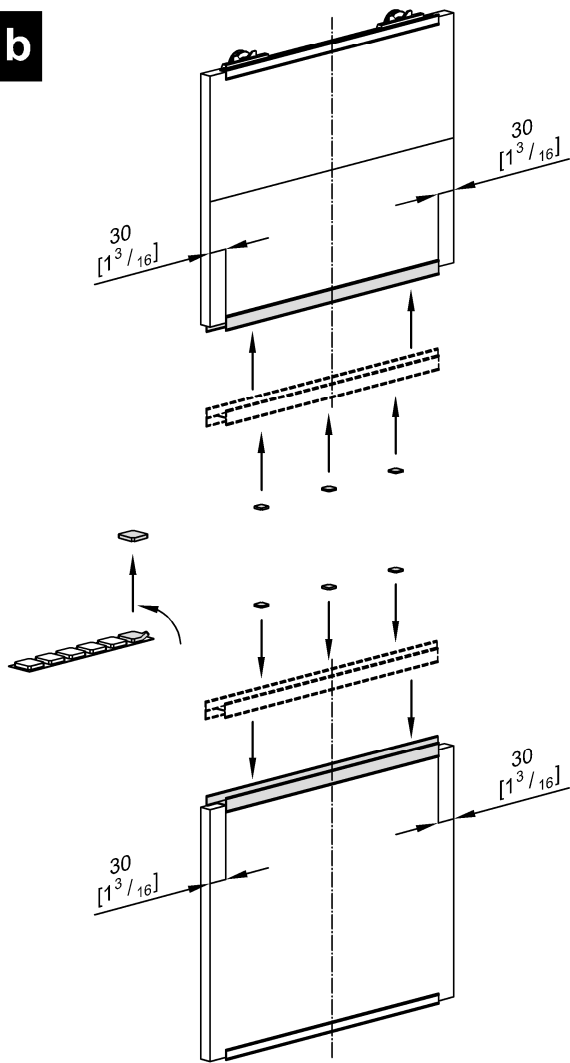
$X, Y > 200 [8]$
 $4 \left[\frac{3}{16} \right] < t_g < 6 \left[\frac{1}{4} \right]$



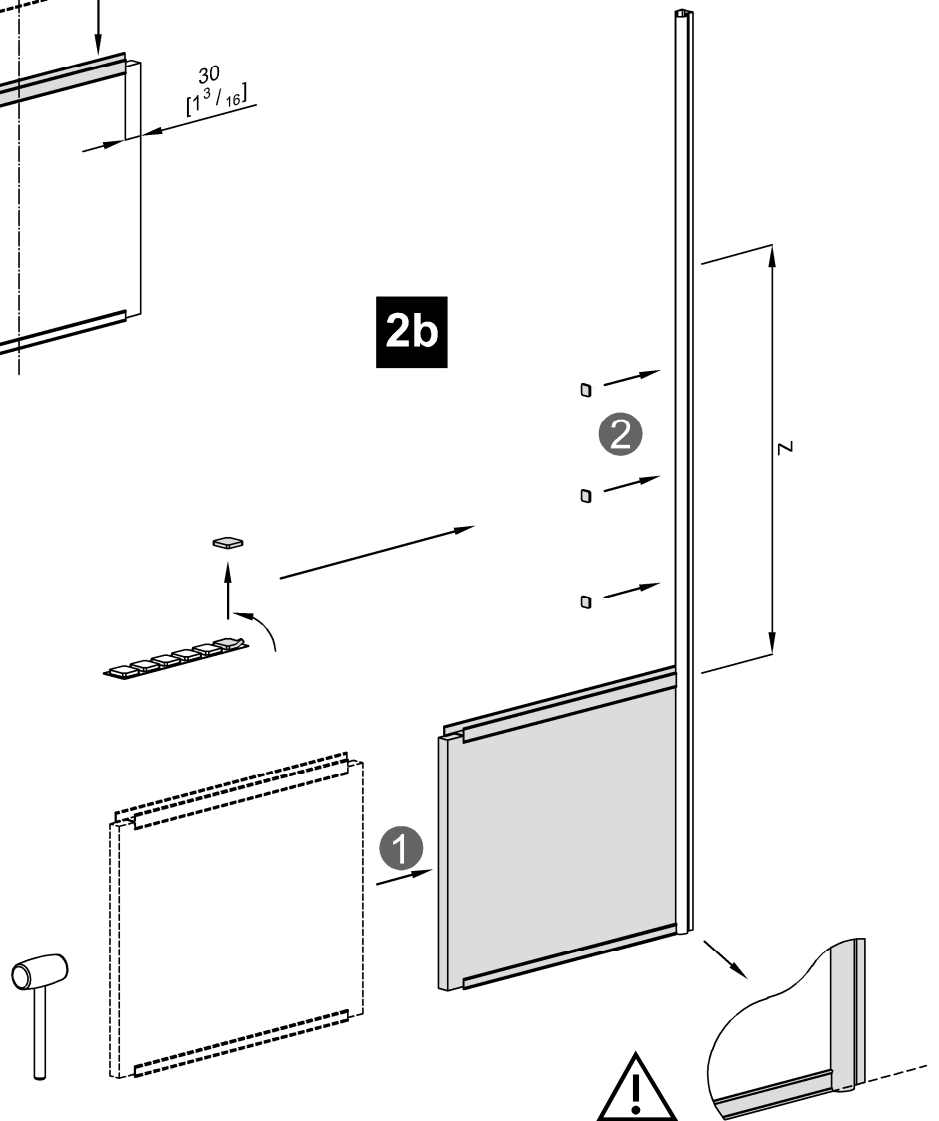
1a



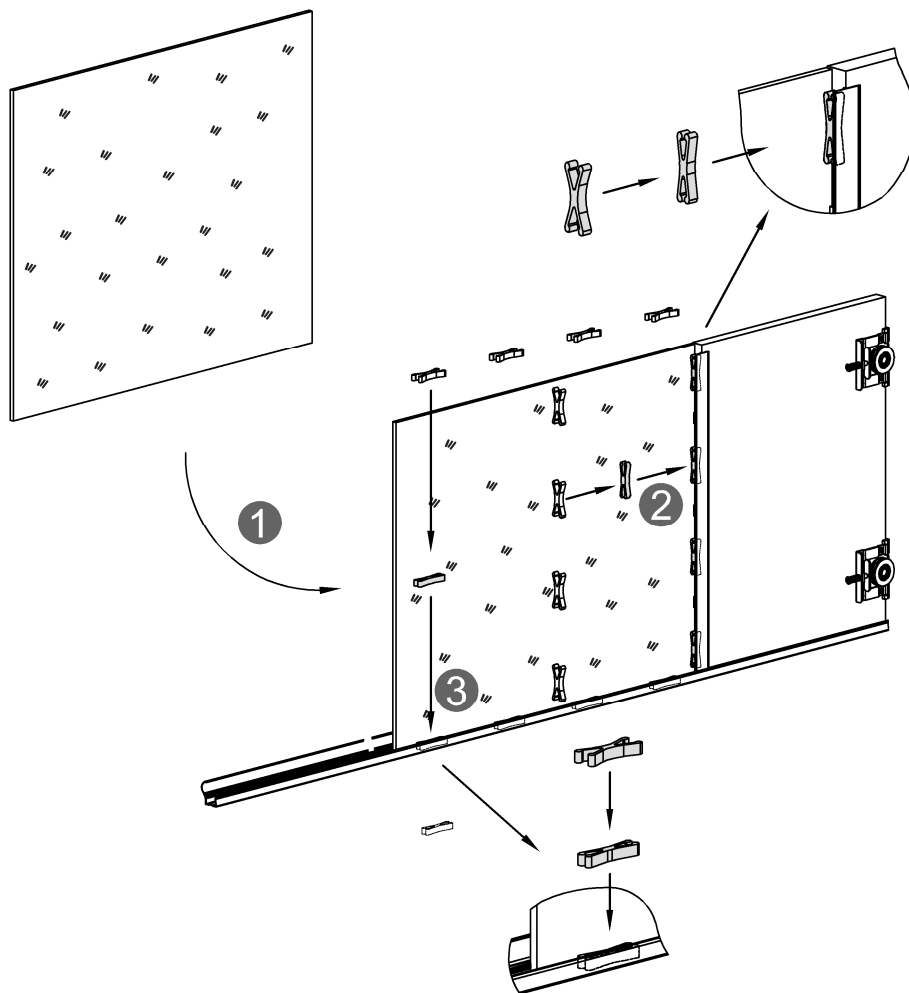
1b



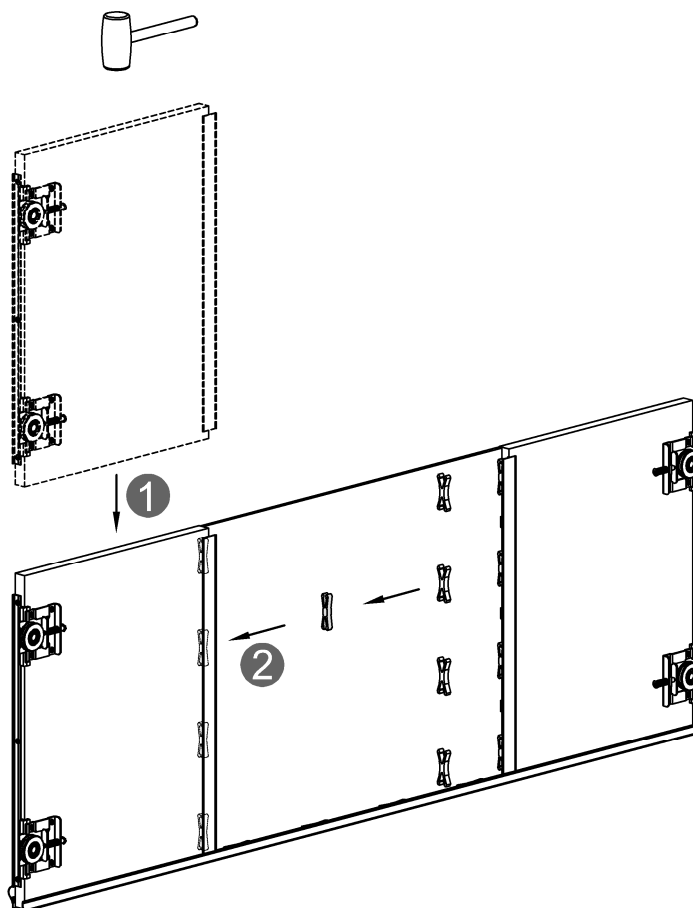
2b



3b



4b



5b

