

SLID'UP
by MANTION

INSTRUCTION DE MONTAGE
MONTAGEANLEITUNG
INSTRUCTIONS FOR ASSEMBLY
INSTRUCCIONES DE MONTAJE
INSTRUKCJA MONTAŻU

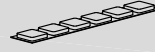
SU5260
SU5261
SU5262



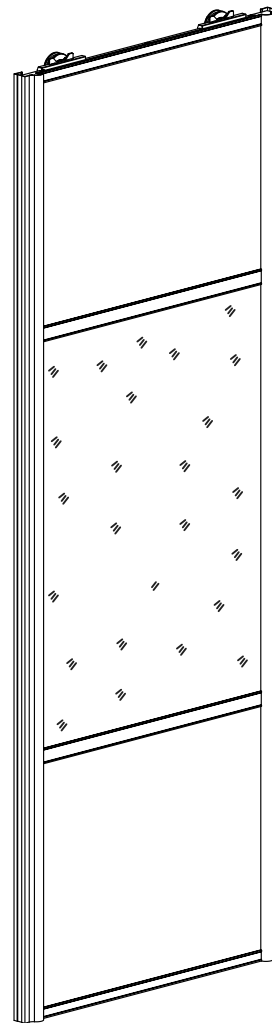
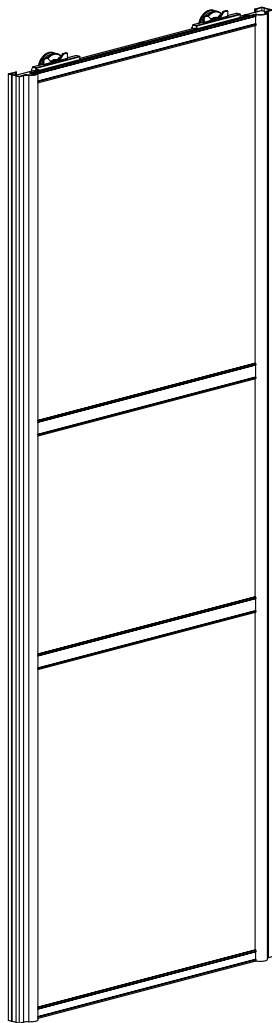
x1



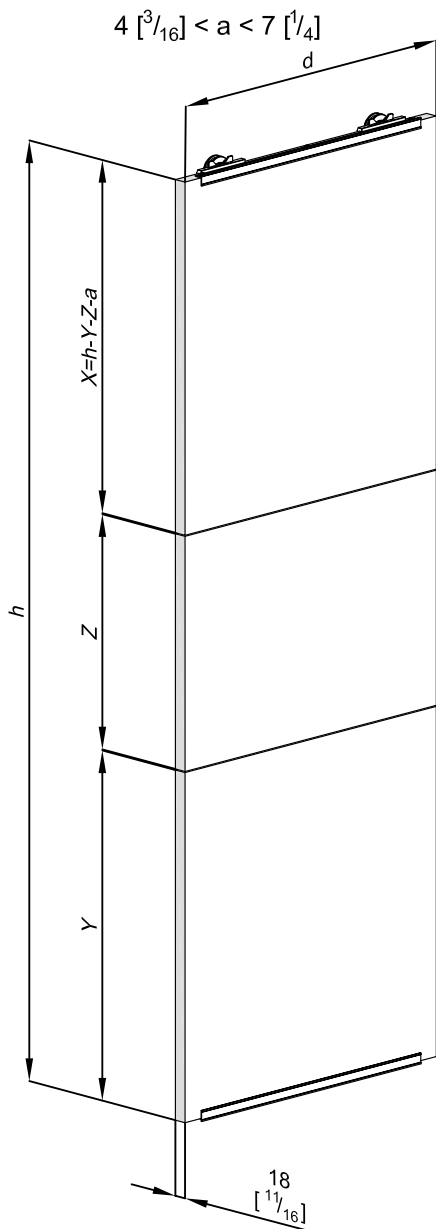
x16



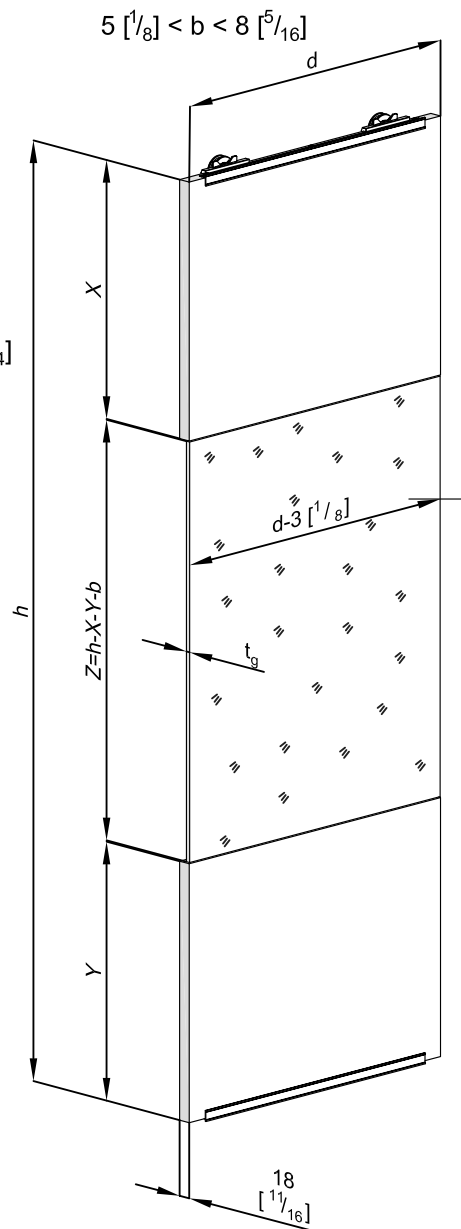
x2



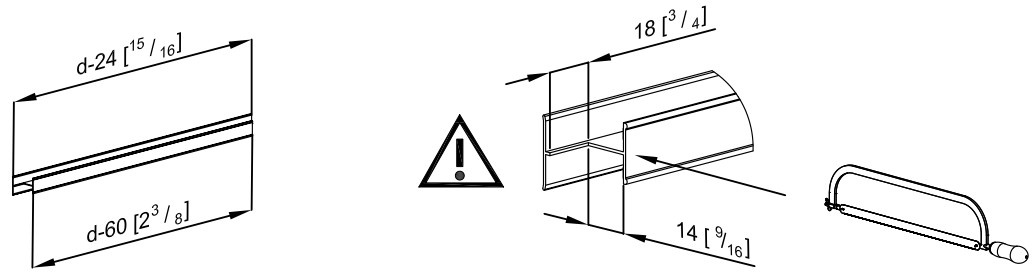
a



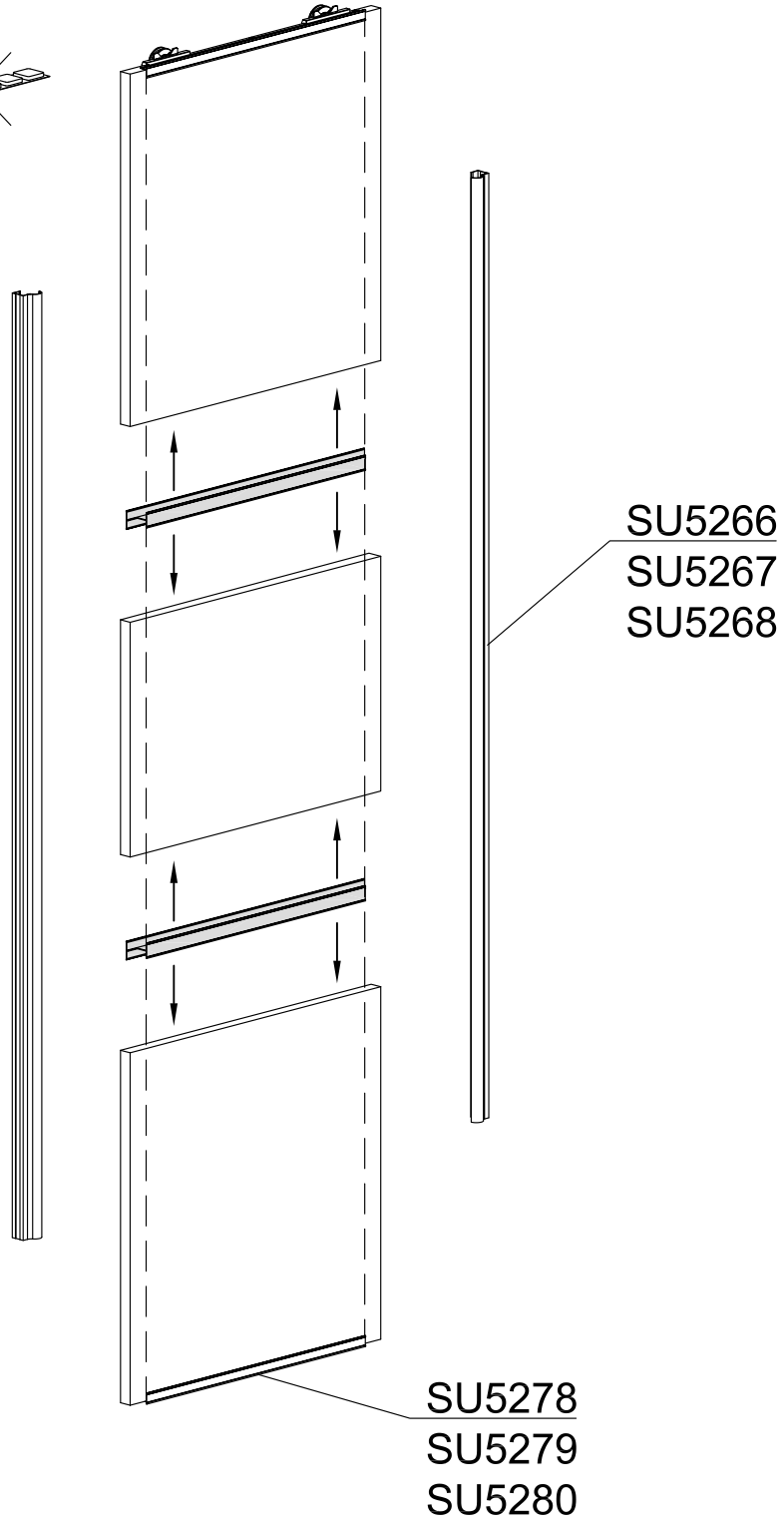
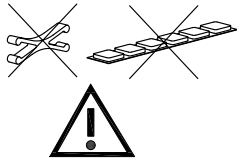
b



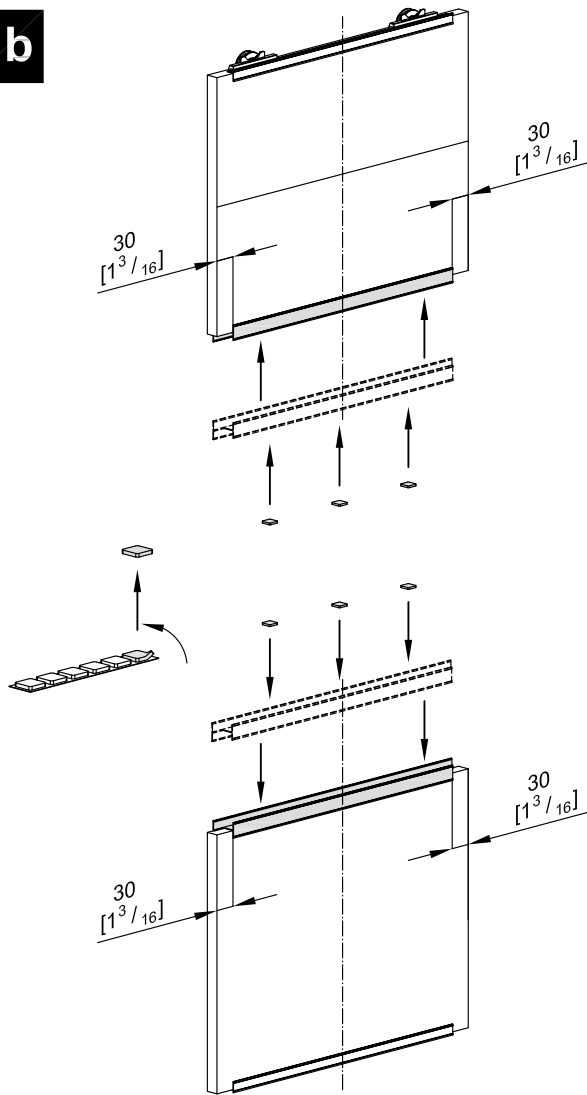
$X, Y > 200$ [8]
 $4 [\frac{3}{16}] < t_g < 6 [\frac{1}{4}]$



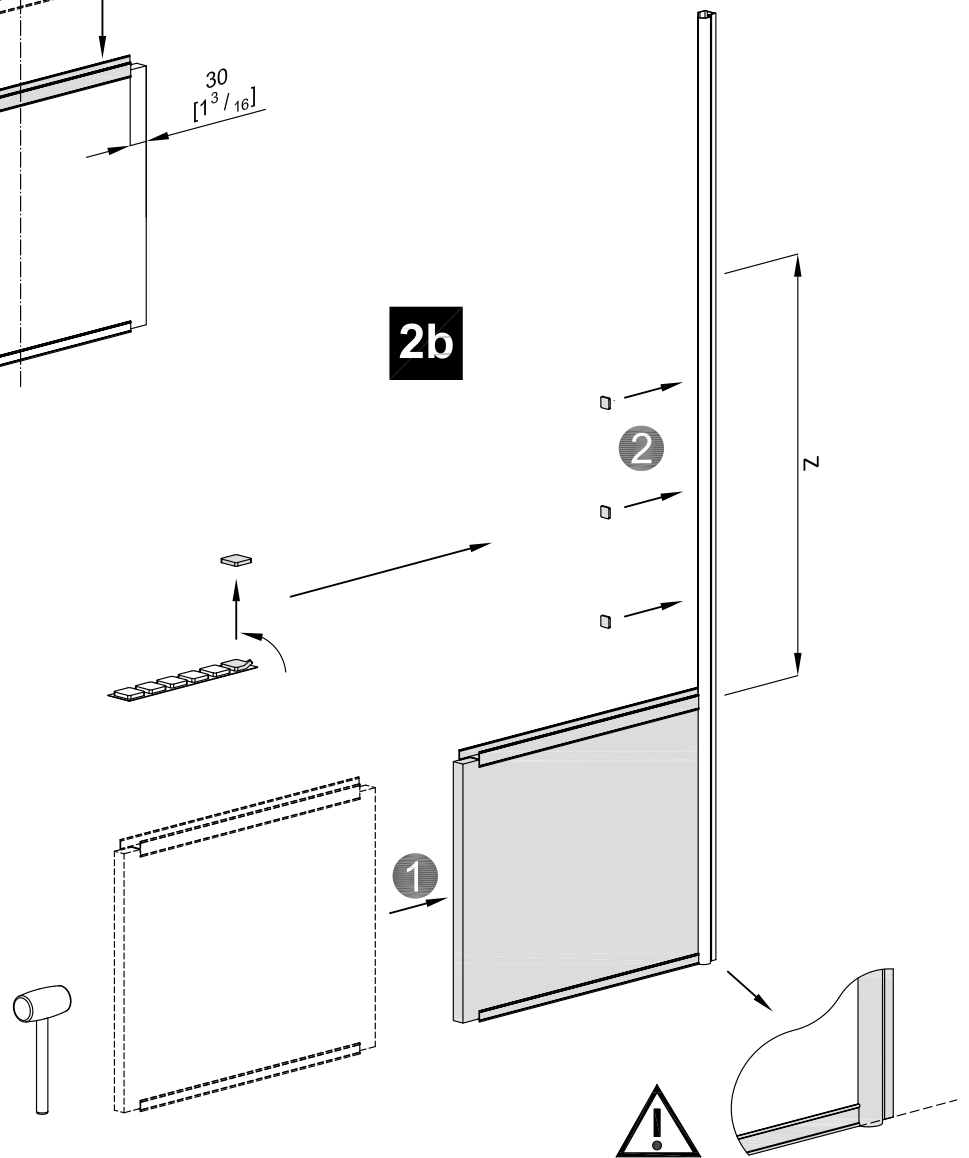
1a



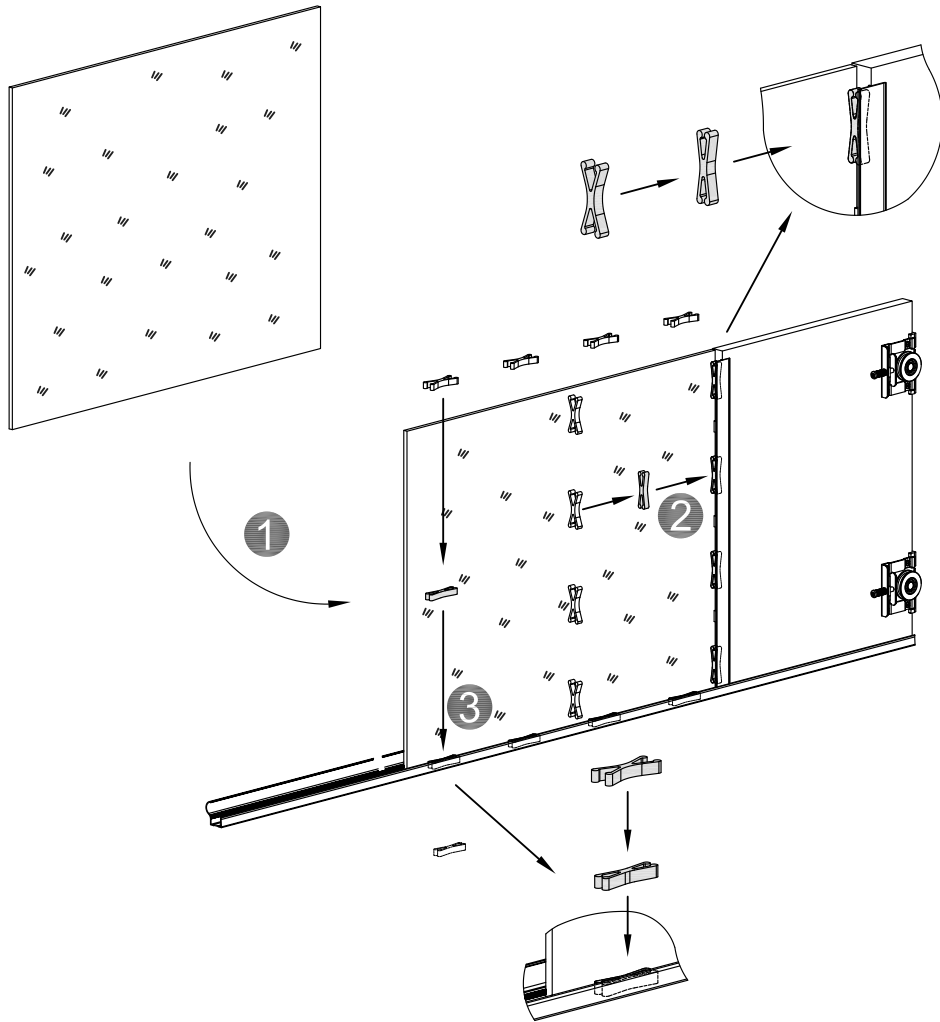
1b



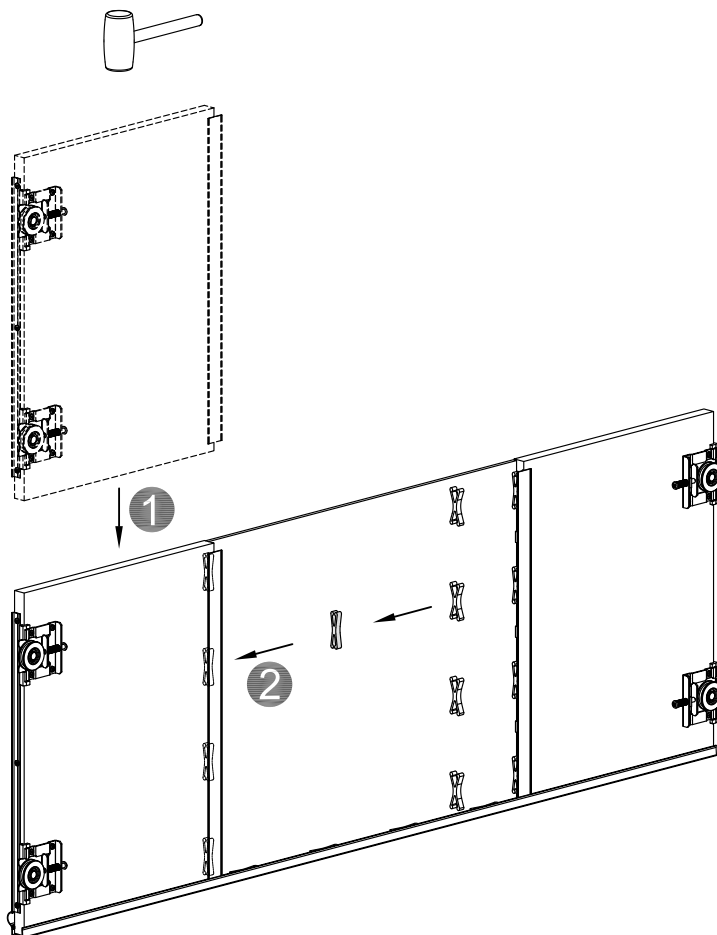
2b



3b



4b



5b

