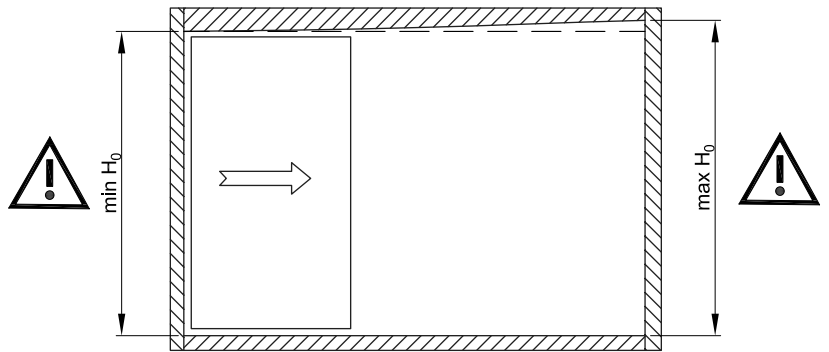
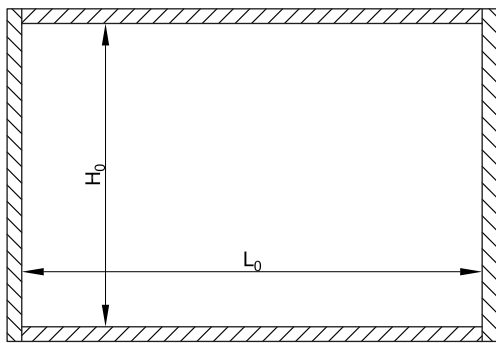


$$d = \frac{L_0 + (n-1) \cdot z}{n} \quad z = 1^{9/16}$$



$$\max H_0 - \min H_0 \leq 5/32$$

