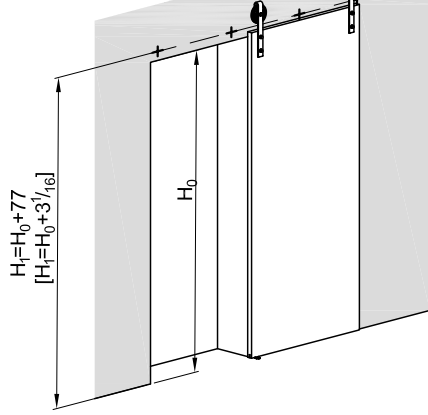
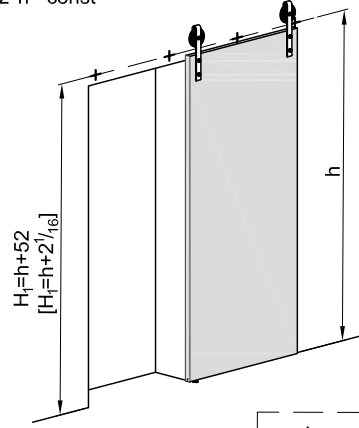


L ₀ [mm]	≥900	800 ≤ L ₀ < 900
A [mm]	-50	+100
L ₀ [inch]	≤ 35 ⁷ / ₁₆	≥ 31 ¹ / ₂
A [inch]	-2	+3 ¹⁵ / ₁₆

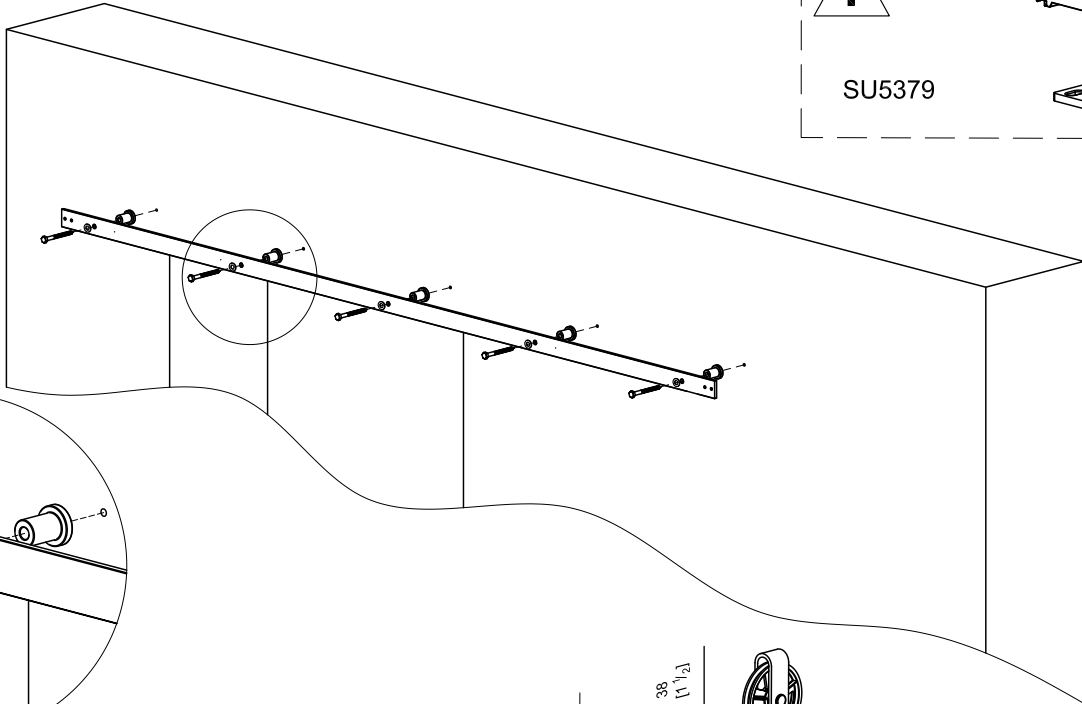
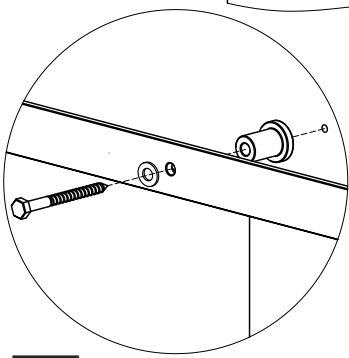
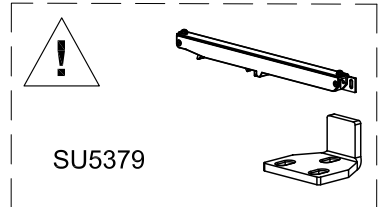
1°H₀ =const



2°h =const



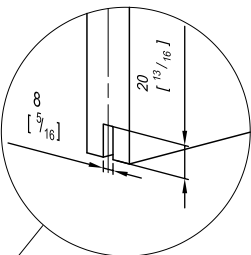
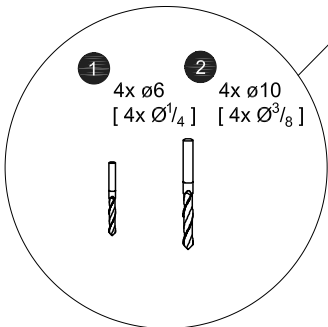
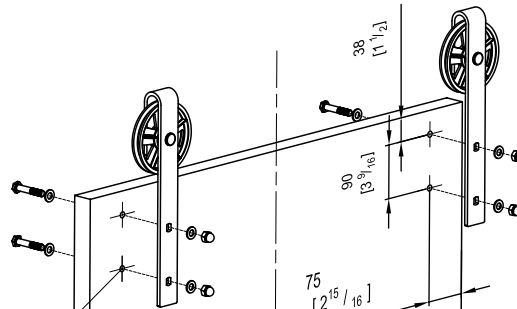
2



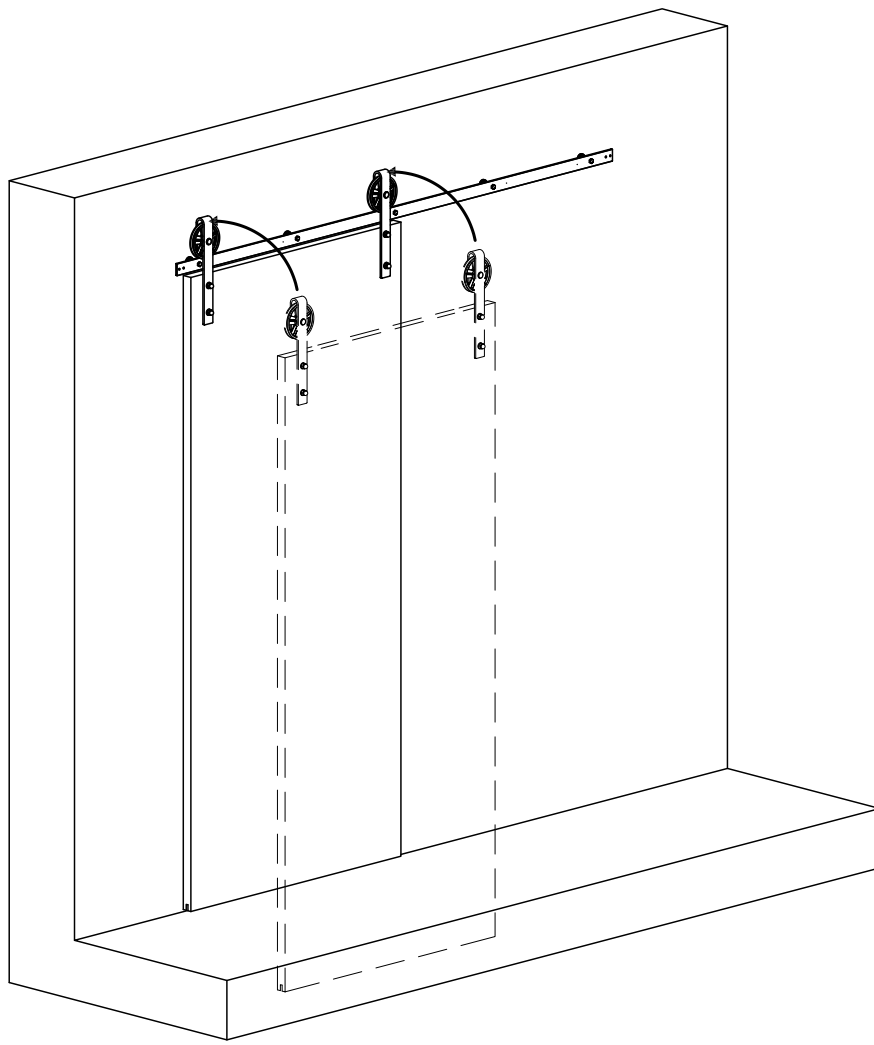
3

M10x55 s = $\begin{matrix} \text{Min. } 35 \\ \text{Max. } 40 \\ \text{Min. } 1\frac{3}{8} \\ \text{Max. } 1 \end{matrix}$
 $[s = \text{Max. } 1]$

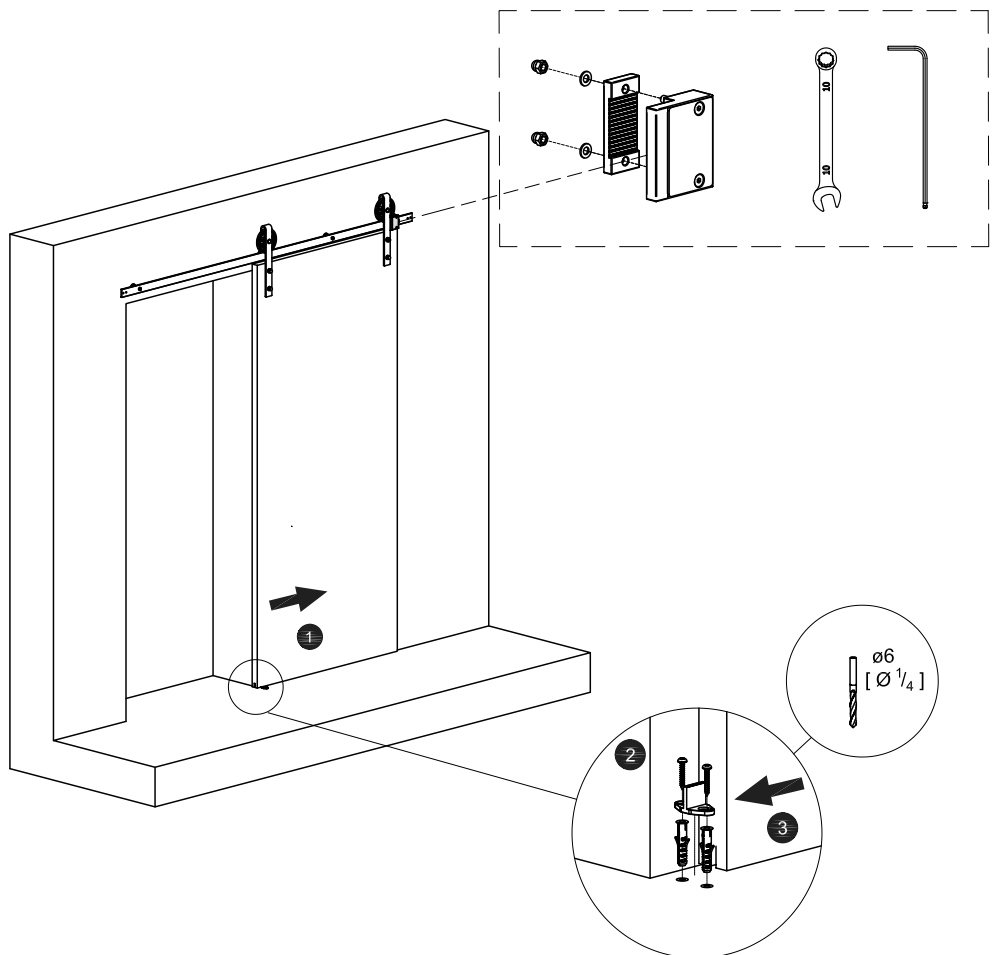
M10x60 s = $\begin{matrix} \text{Min. } 40 \\ \text{Max. } 45 \\ \text{Min. } 1\frac{9}{16} \\ \text{Max. } 1\frac{3}{4} \end{matrix}$
 $[s = \text{Max. } 1\frac{3}{4}]$



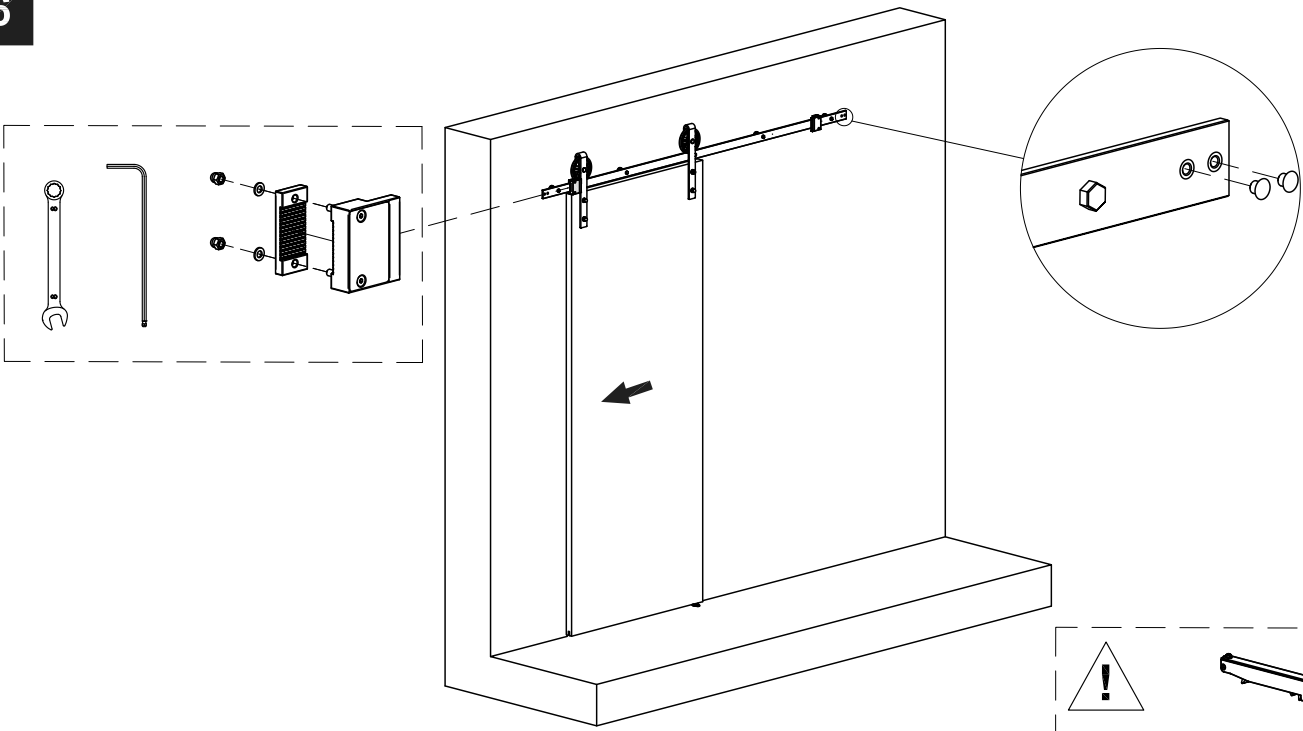
4



5



6



7

