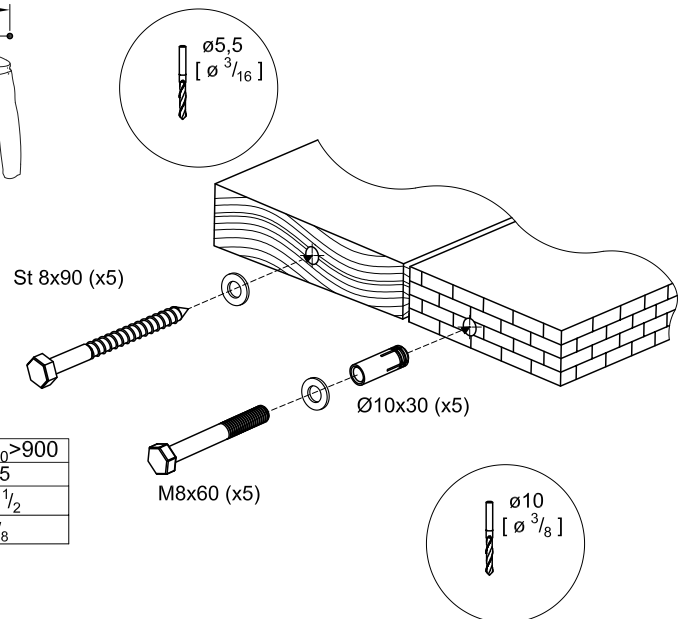
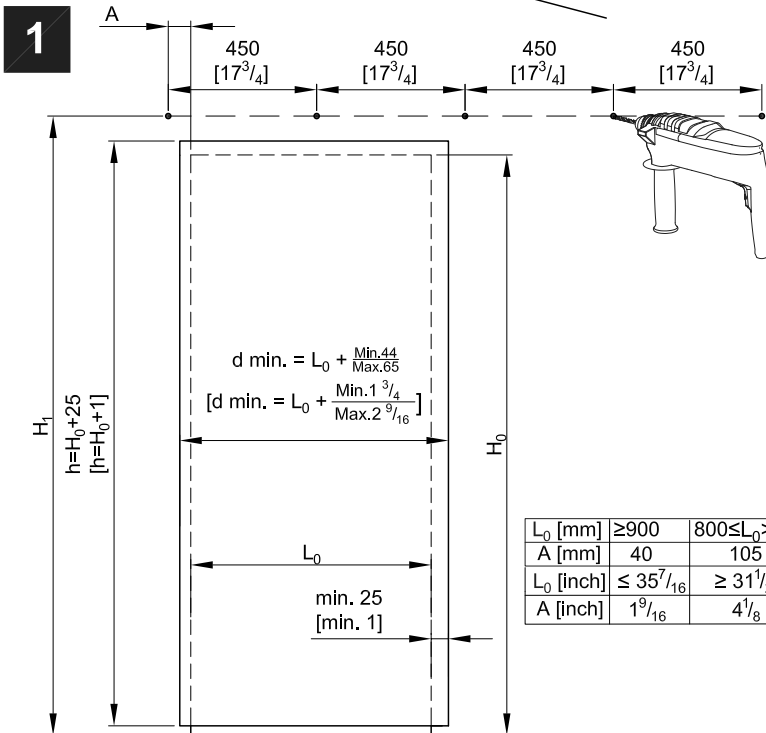
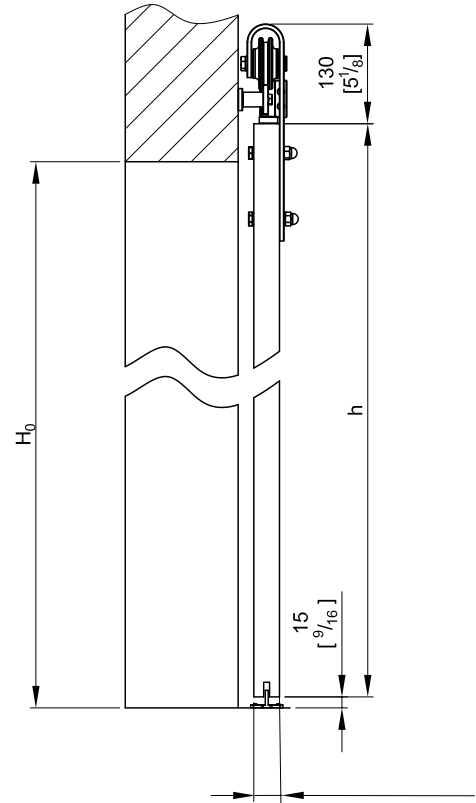
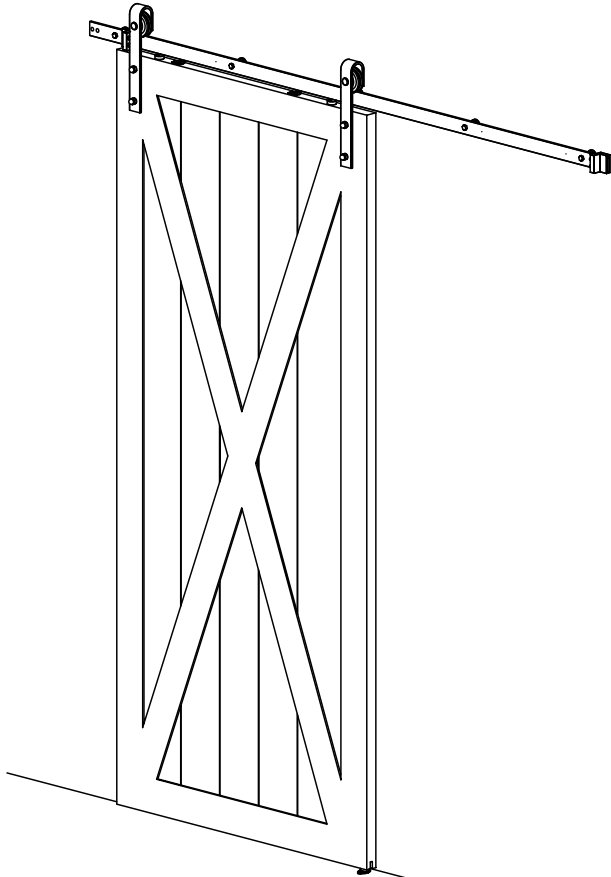
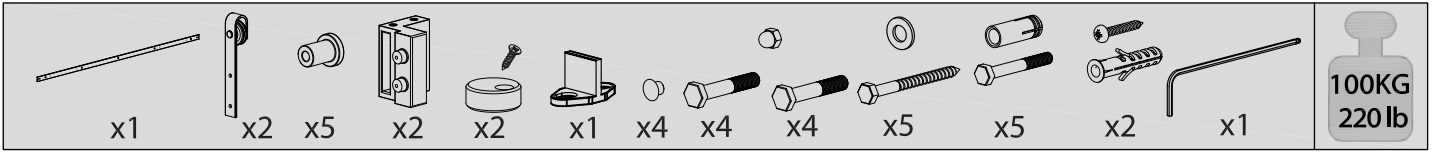


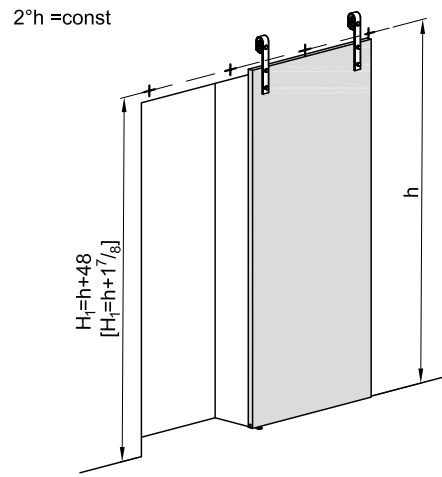
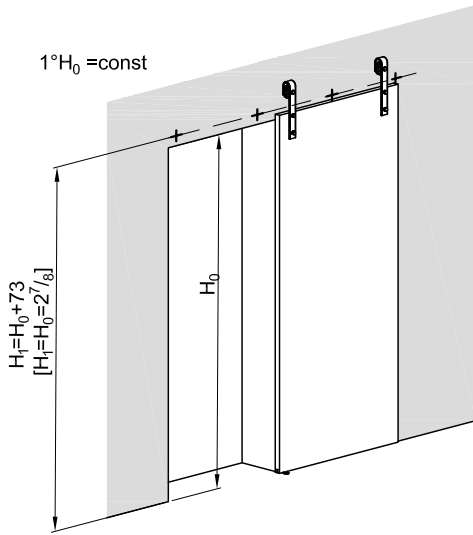
SLID'UP
by MANTION

INSTRUCTION DE MONTAGE
MONTAGEANLEITUNG
INSTRUCTIONS FOR ASSEMBLY
INSTRUCCIONES DE MONTAJE
INSTRUKCJA MONTAŻU

SLID'UP 240
SU5371

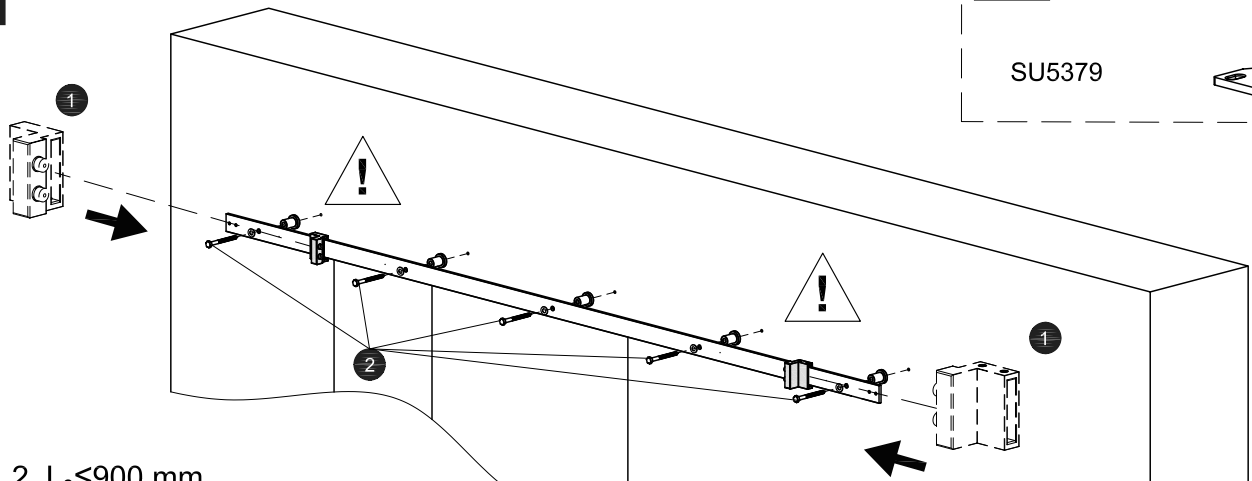
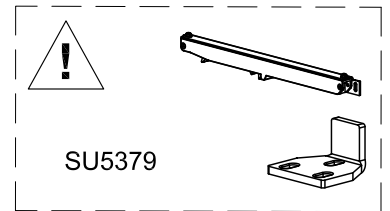


L_0 [mm]	≥ 900	$800 \leq L_0 < 900$
A [mm]	40	105
L_0 [inch]	$\leq 35 \frac{7}{16}$	$\geq 31 \frac{1}{2}$
A [inch]	$1 \frac{9}{16}$	$4 \frac{1}{8}$

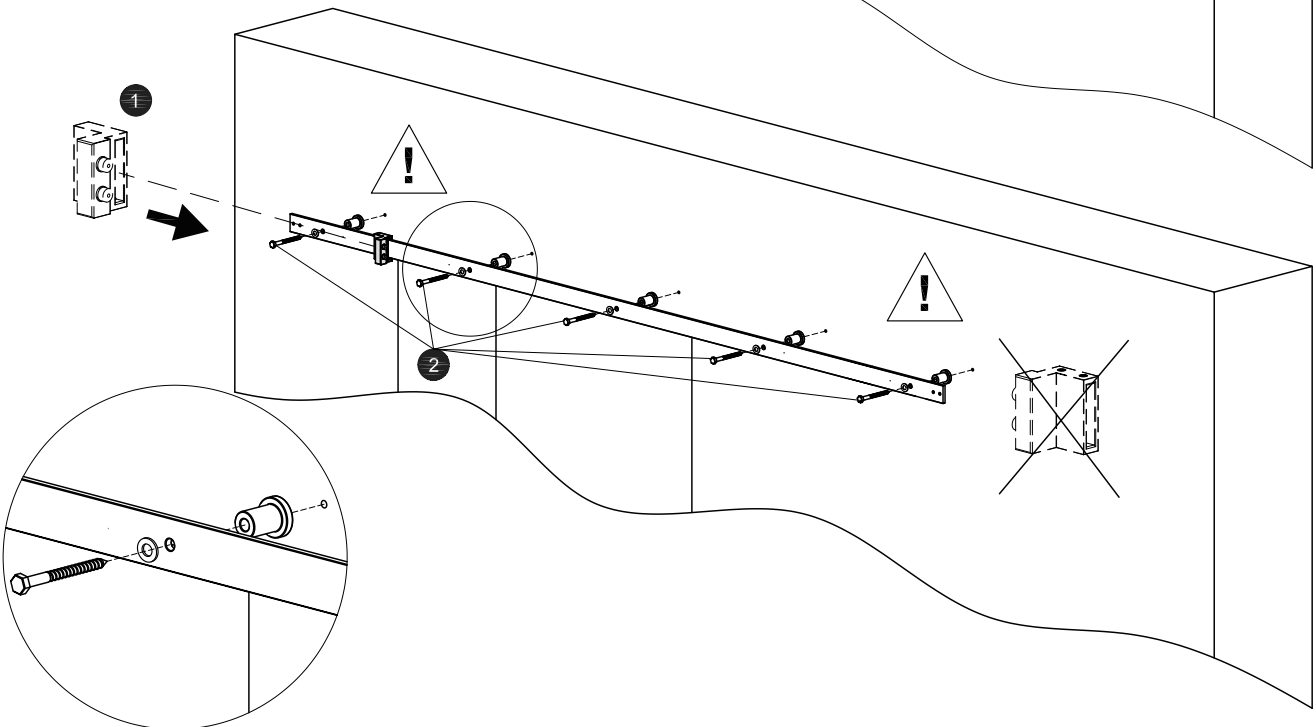


2

1. $L_0 \geq 800 \text{ mm}$
 $[L_0 \geq 31 \frac{1}{2} \text{ "}]$



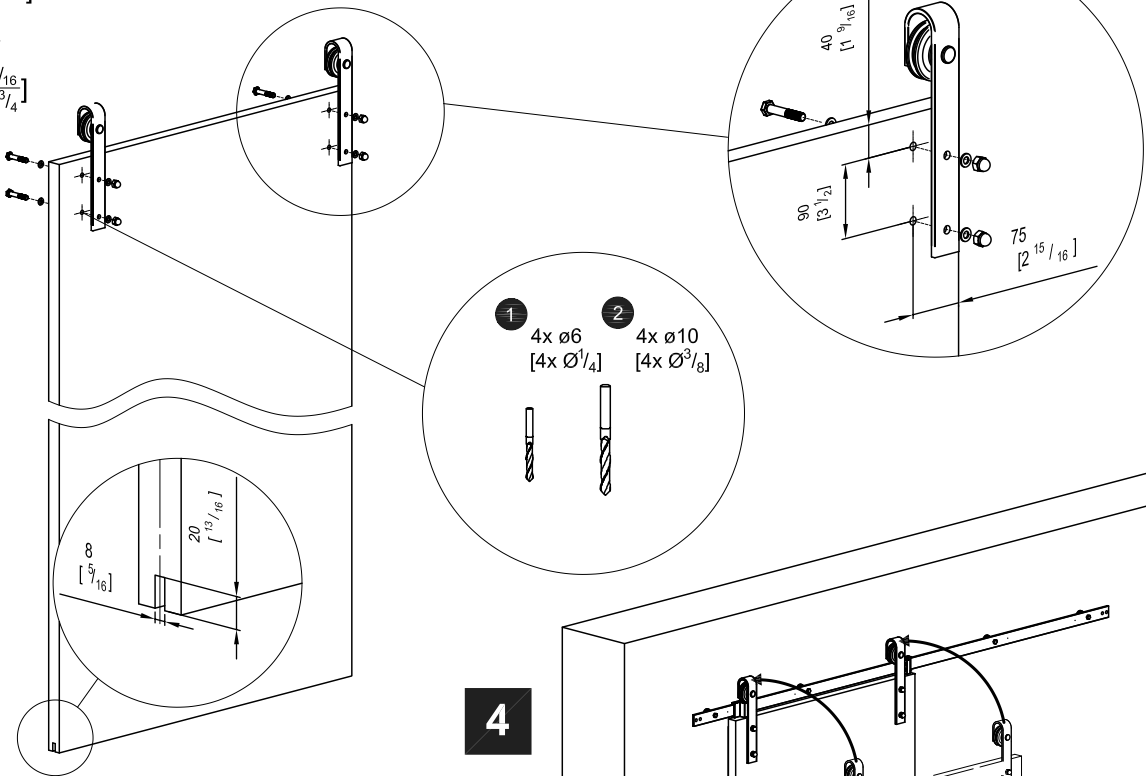
2. $L_0 \leq 900 \text{ mm}$
 $[L_0 \leq 35 \frac{7}{16} \text{ "}]$



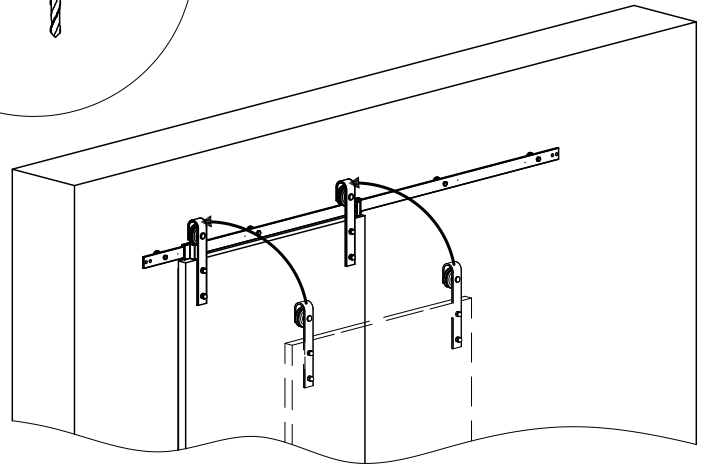
M10x55 s= $\frac{\text{Min. } 35}{\text{Max. } 40}$
 [S= $\frac{\text{Min. } 1 \frac{3}{8}}{\text{Max. } 1}$]

M10x60 s= $\frac{\text{Min. } 40}{\text{Max. } 45}$
 [S= $\frac{\text{Min. } 1 \frac{9}{16}}{\text{Max. } 1 \frac{3}{4}}$]

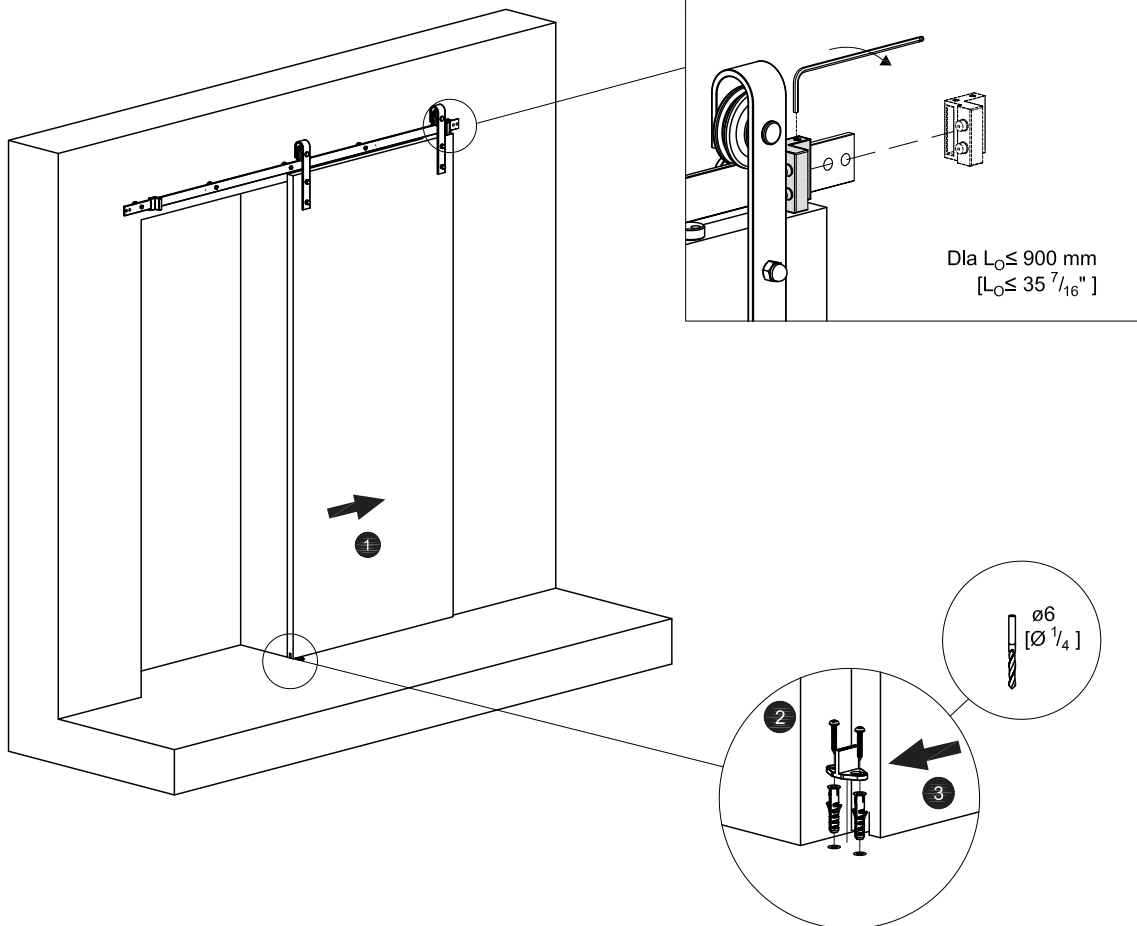
3



4

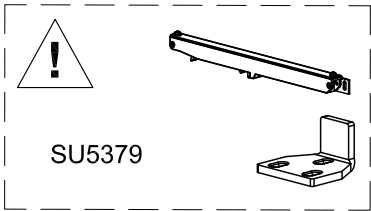
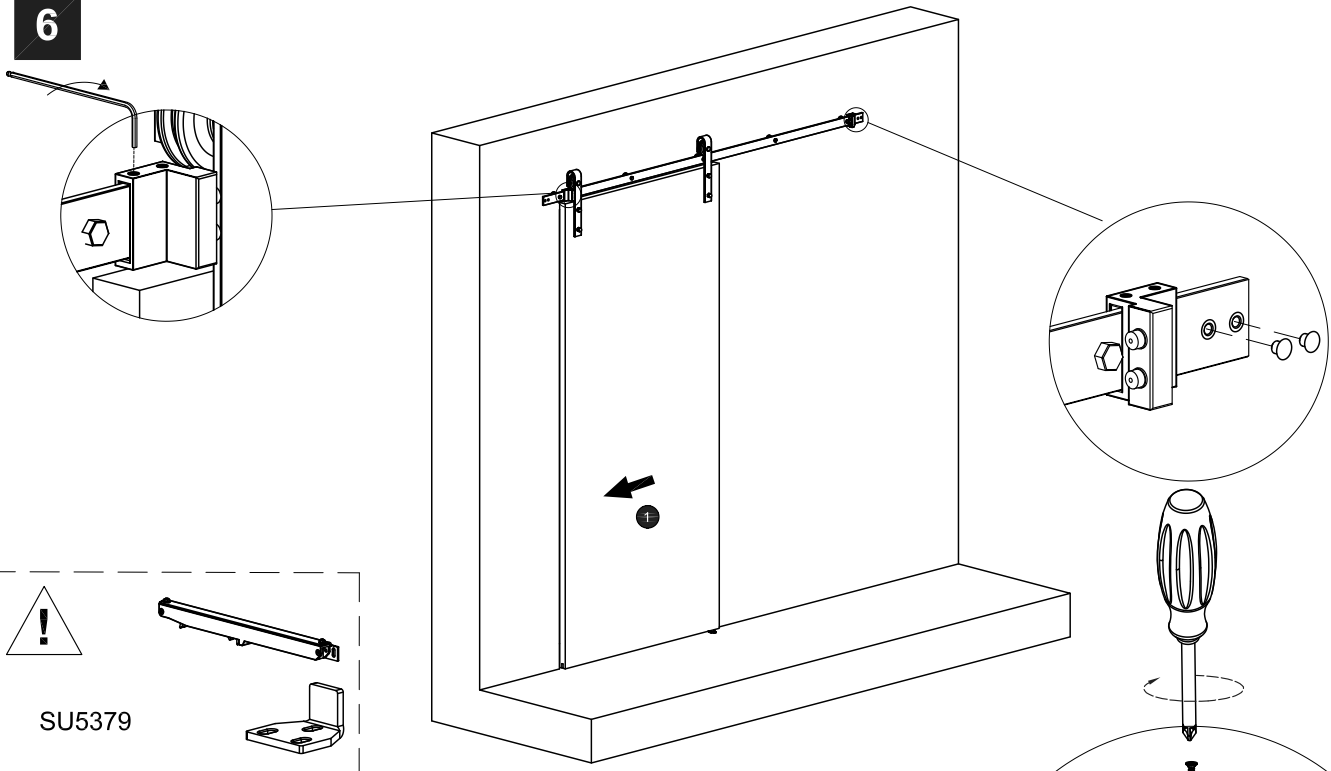


5



Dia L₀ ≤ 900 mm
 [L₀ ≤ 35 $\frac{7}{16}$ "]

6



7

