



SLID'UP
BY MANTION

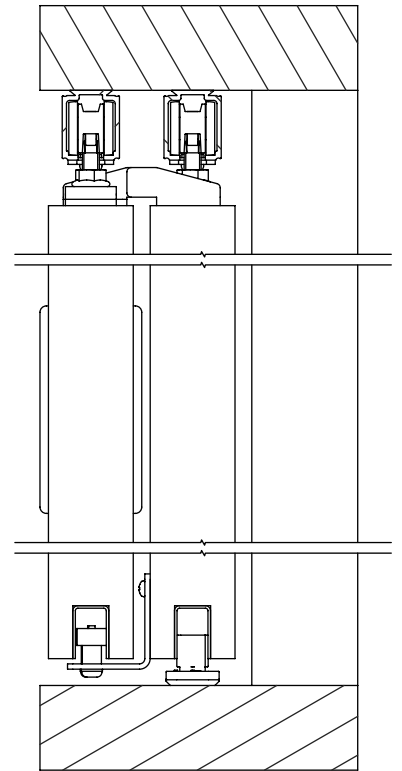
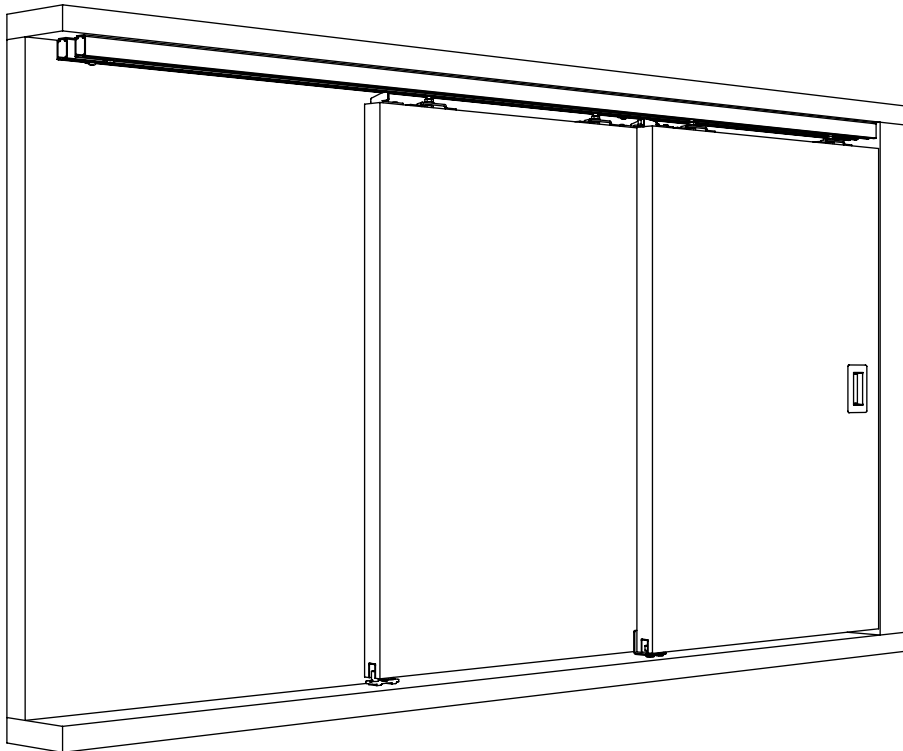
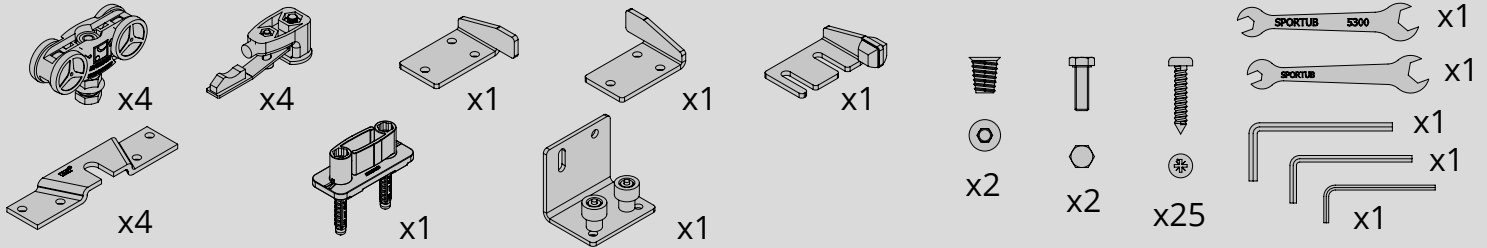
ASSEMBLY
INSTRUCTIONS

SLID'UP 2500

SU2501_NA

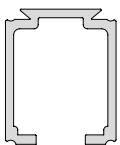
Door thickness:
1-3/8" or 1-3/4"

DO NOT THROW
THE PANELS

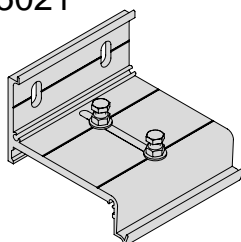


OPTIONS

SU5018



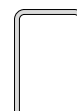
SU5021



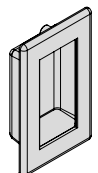
SU5013

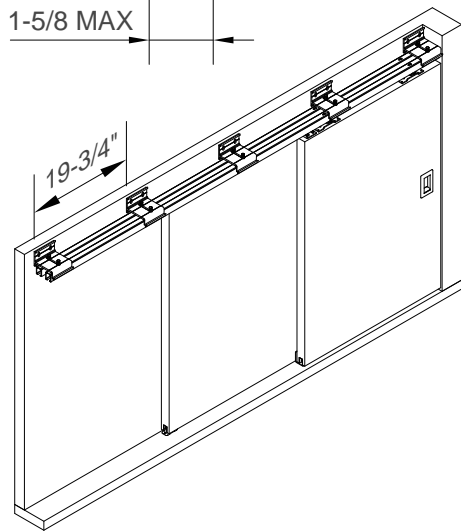
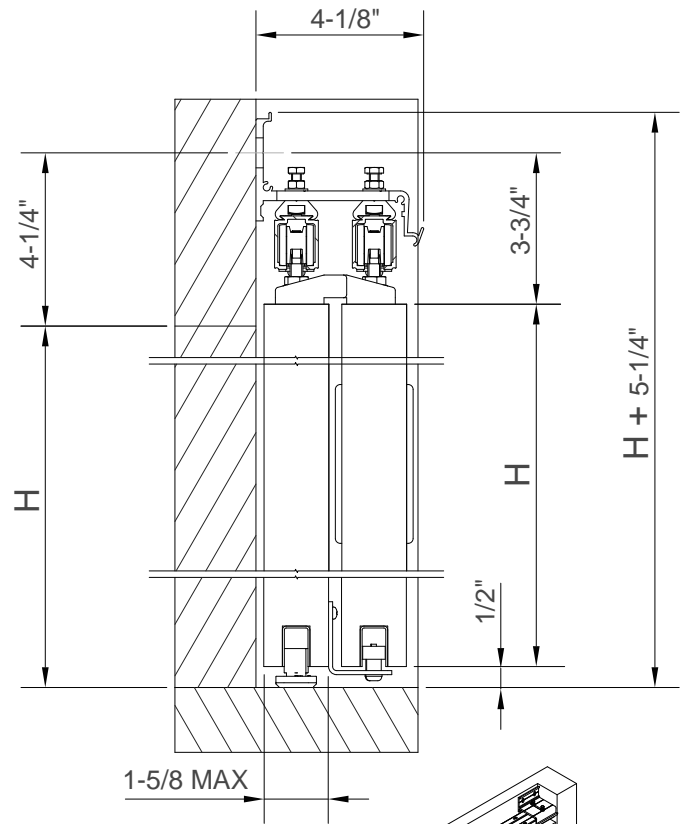
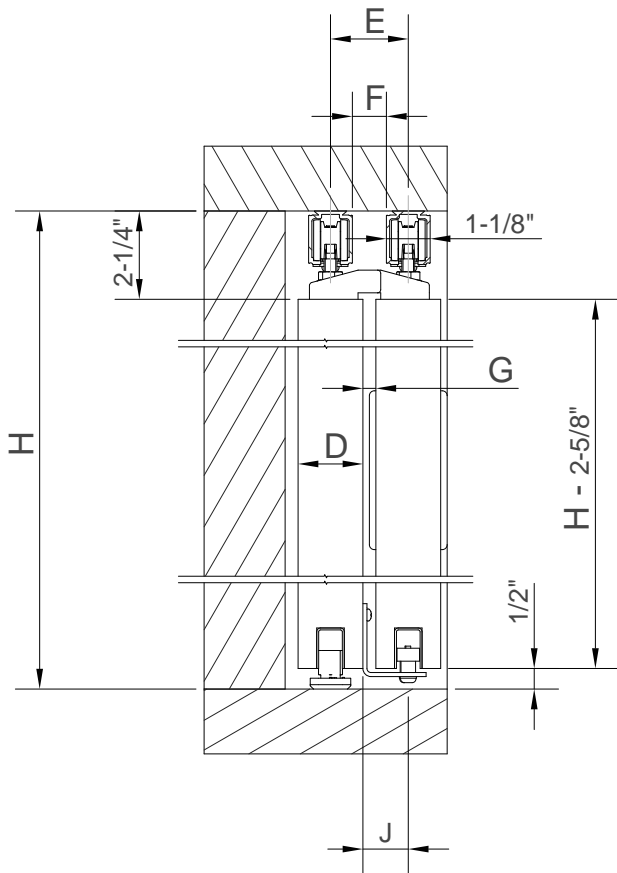


SU5022

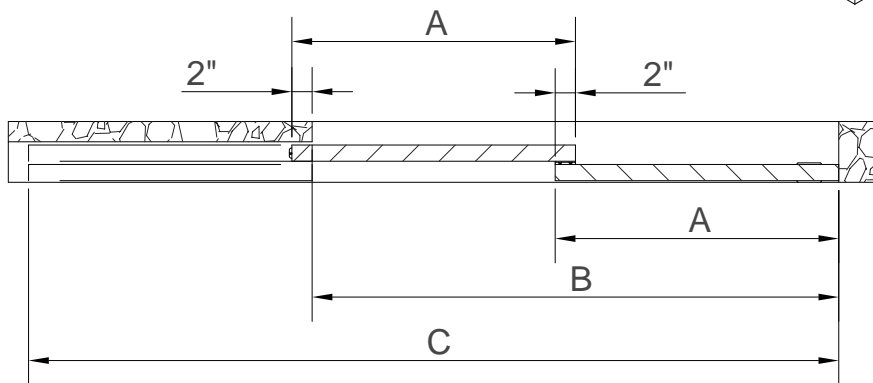


SU1724





D	E	F	G	J
1-3/8"	1-3/4"	3/4"	3/8"	1-3/32"
1-3/4"	2-1/8"	1-1/16"	3/8"	1-1/4"



A	B	C
26"	48"	74"
28"	52"	80"
30"	56"	86"
32"	60"	92"
34"	64"	98"
36"	68"	104"

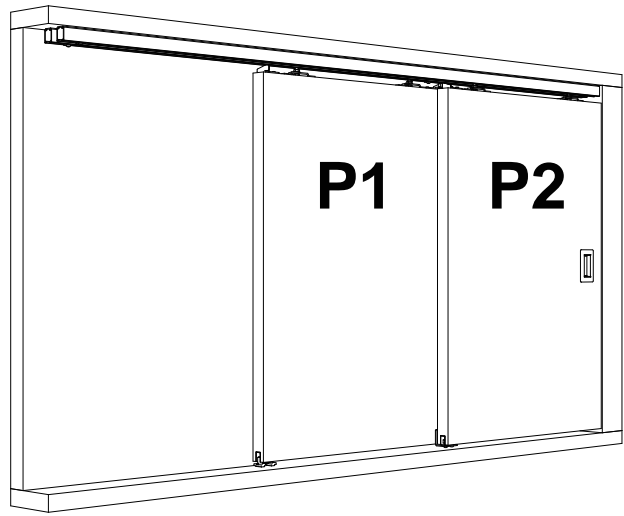
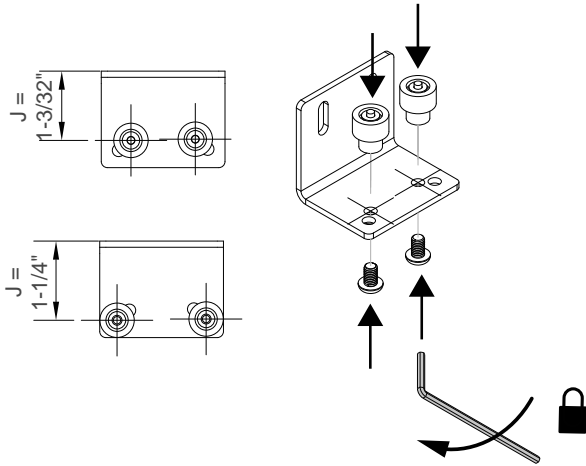
$$A = \frac{B}{2} + 2"$$

$$C = A + B$$

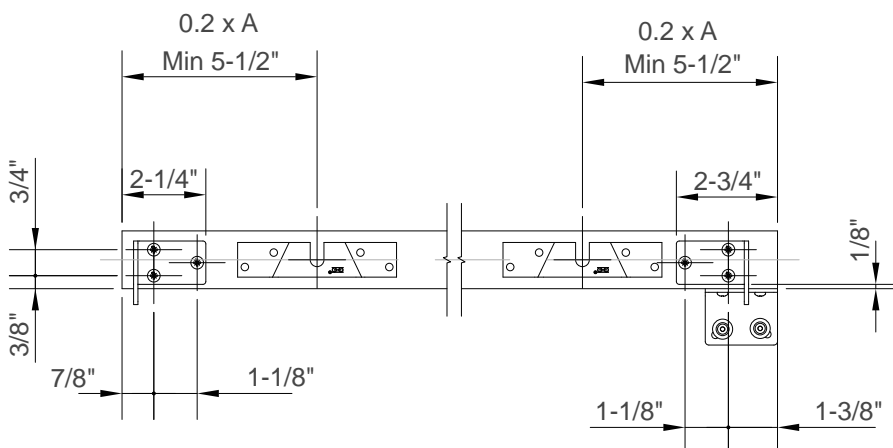
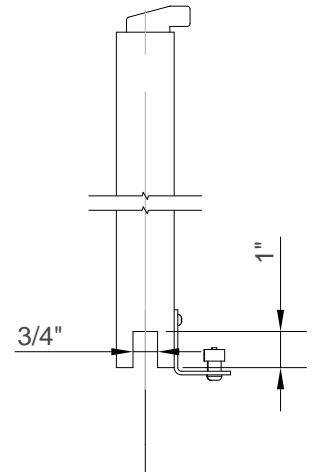
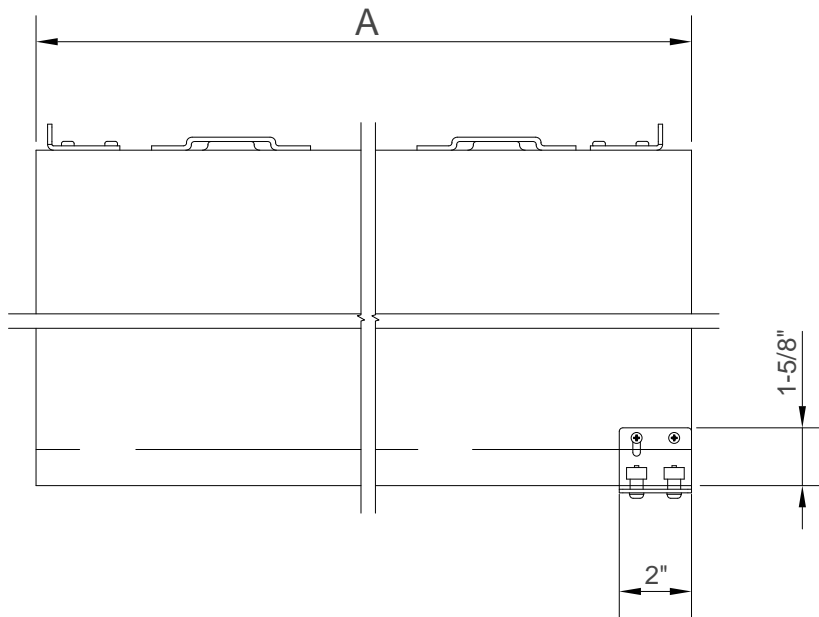




P1

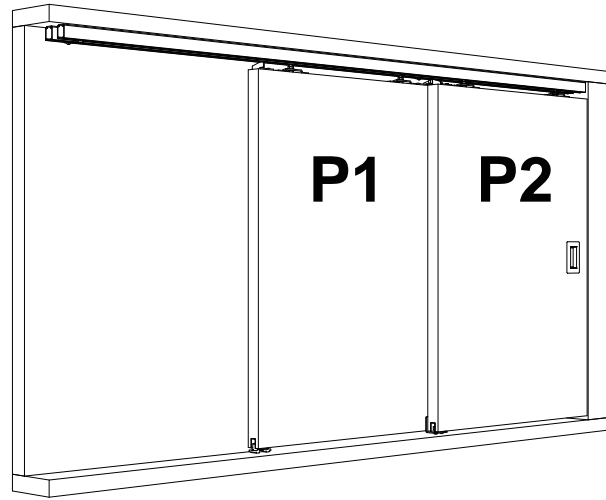


P1





P2



P2

