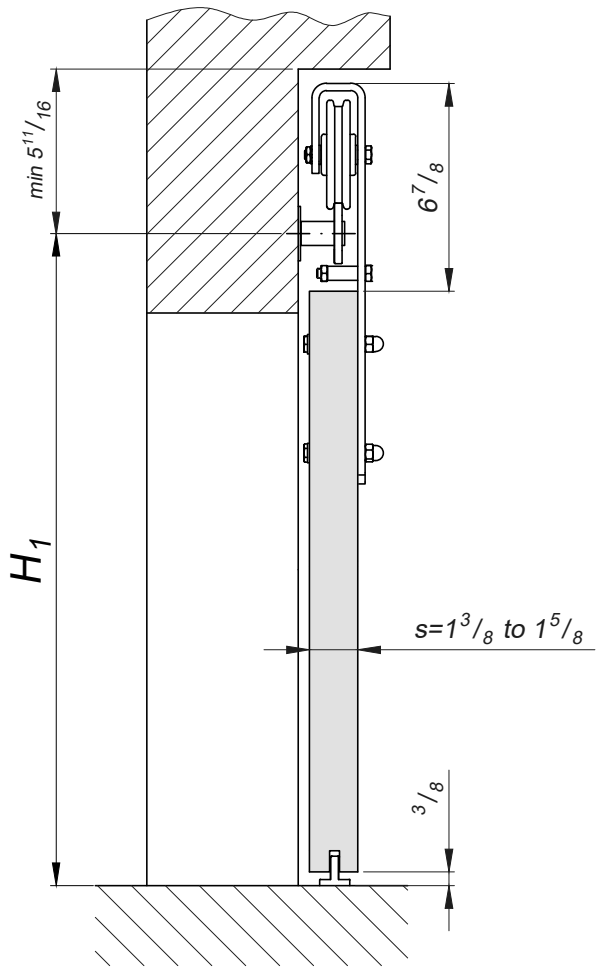
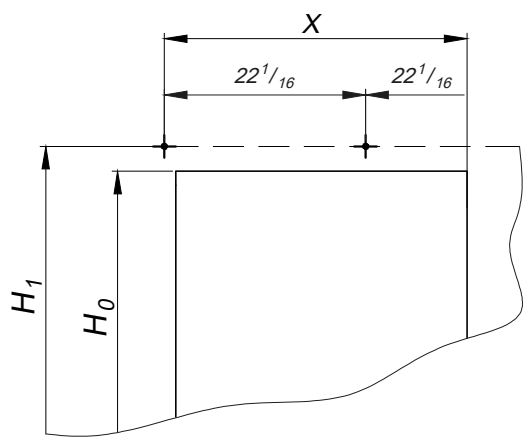


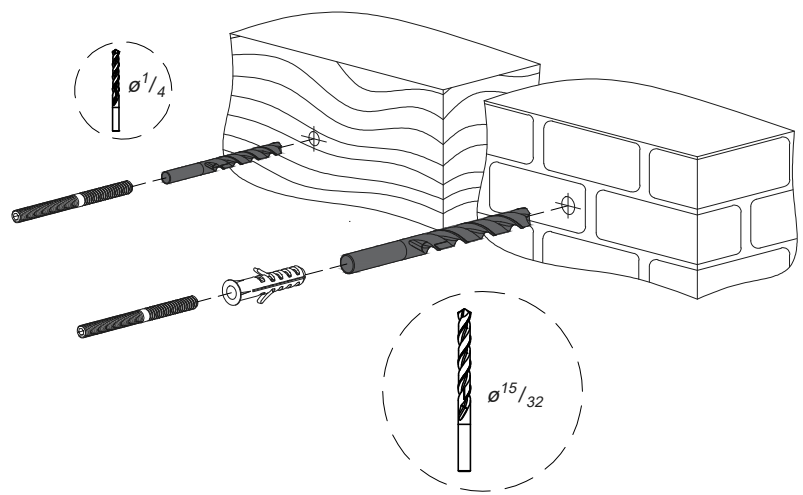
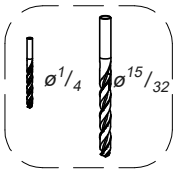
$L_{Track}$ [in]	$76\frac{3}{4}$	$94\frac{1}{2}$	$118\frac{1}{8}$
X [in]	$33\frac{1}{16}$	$44\frac{1}{8}$	$55\frac{1}{8}$



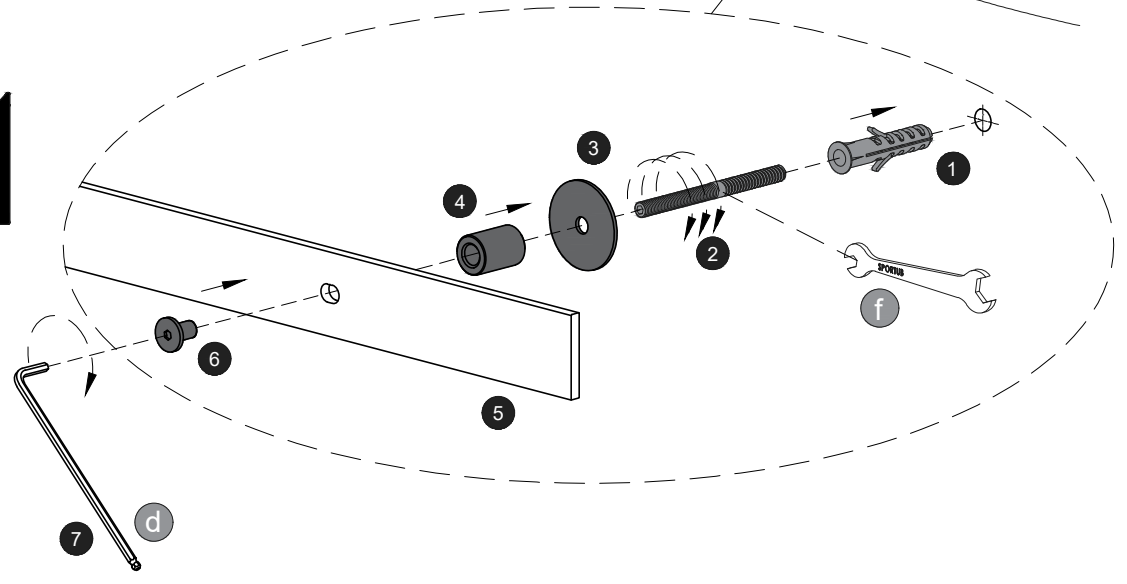
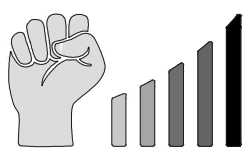
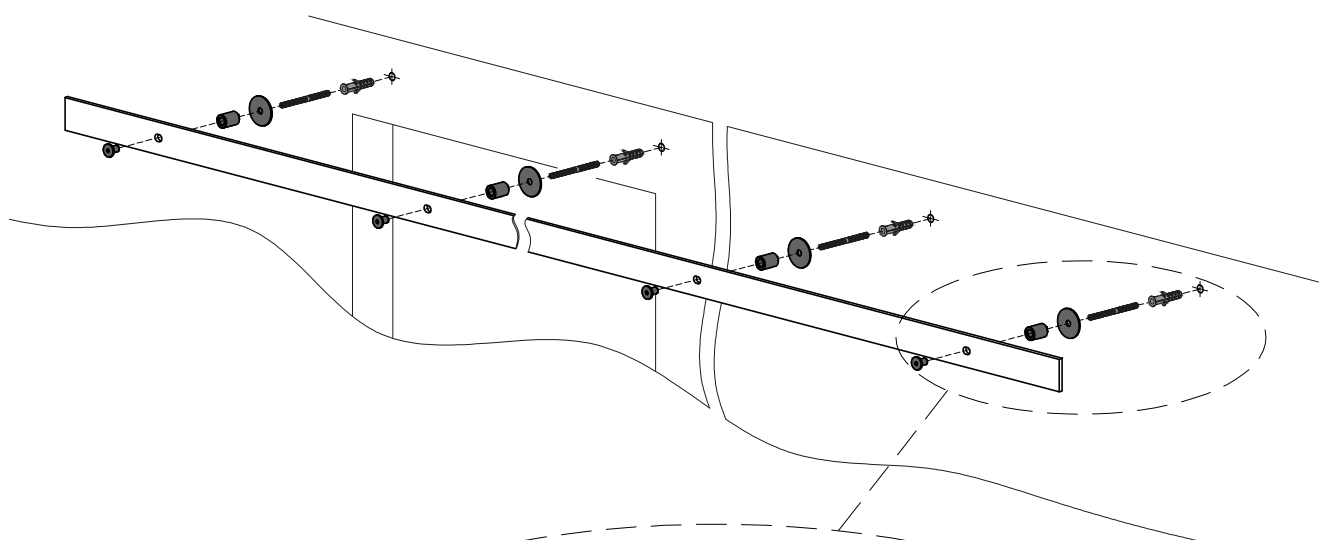
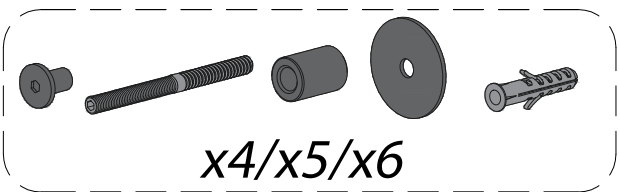
**SU5950**  
**SU5951**

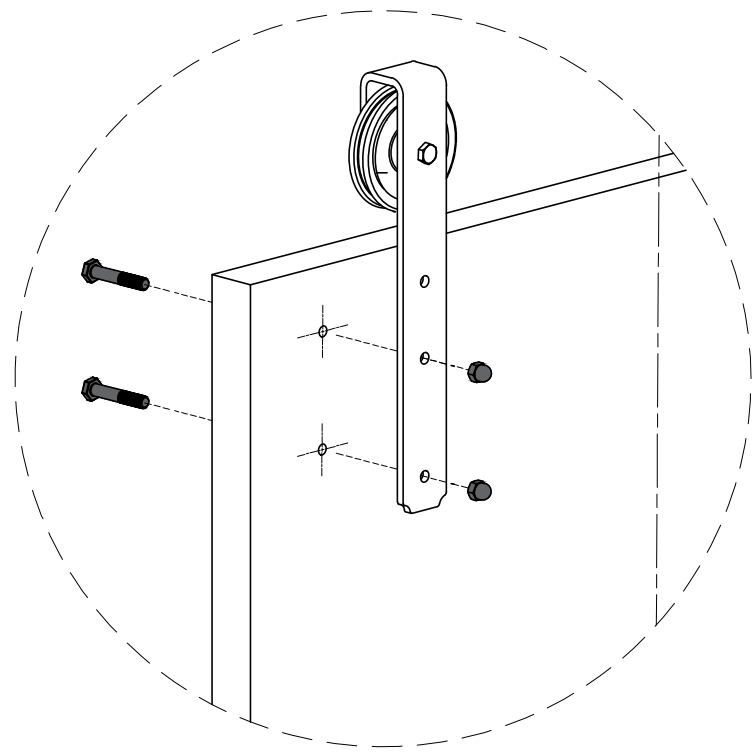
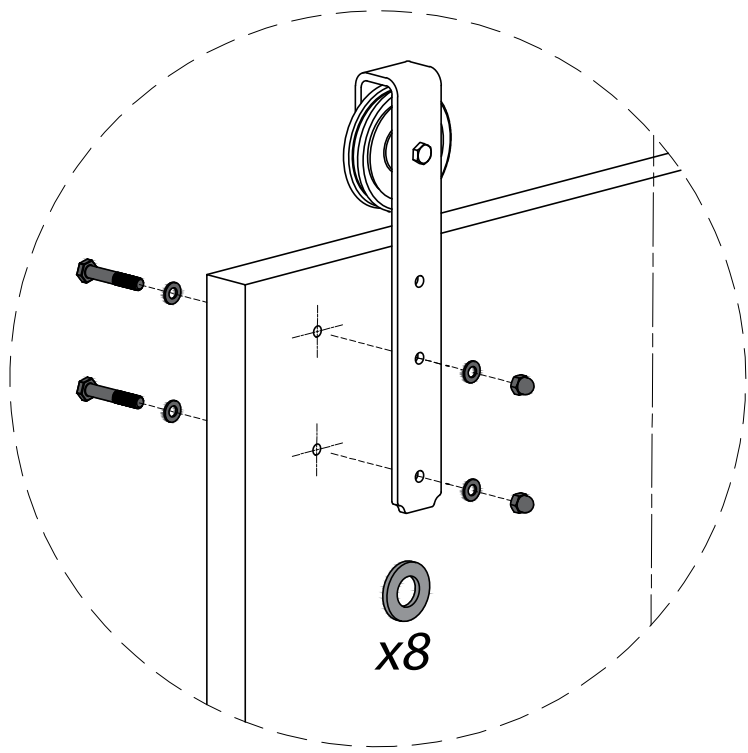
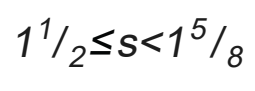
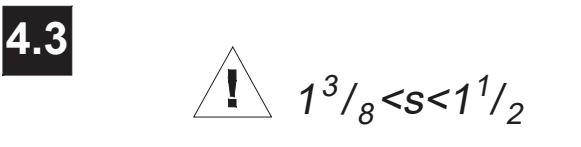
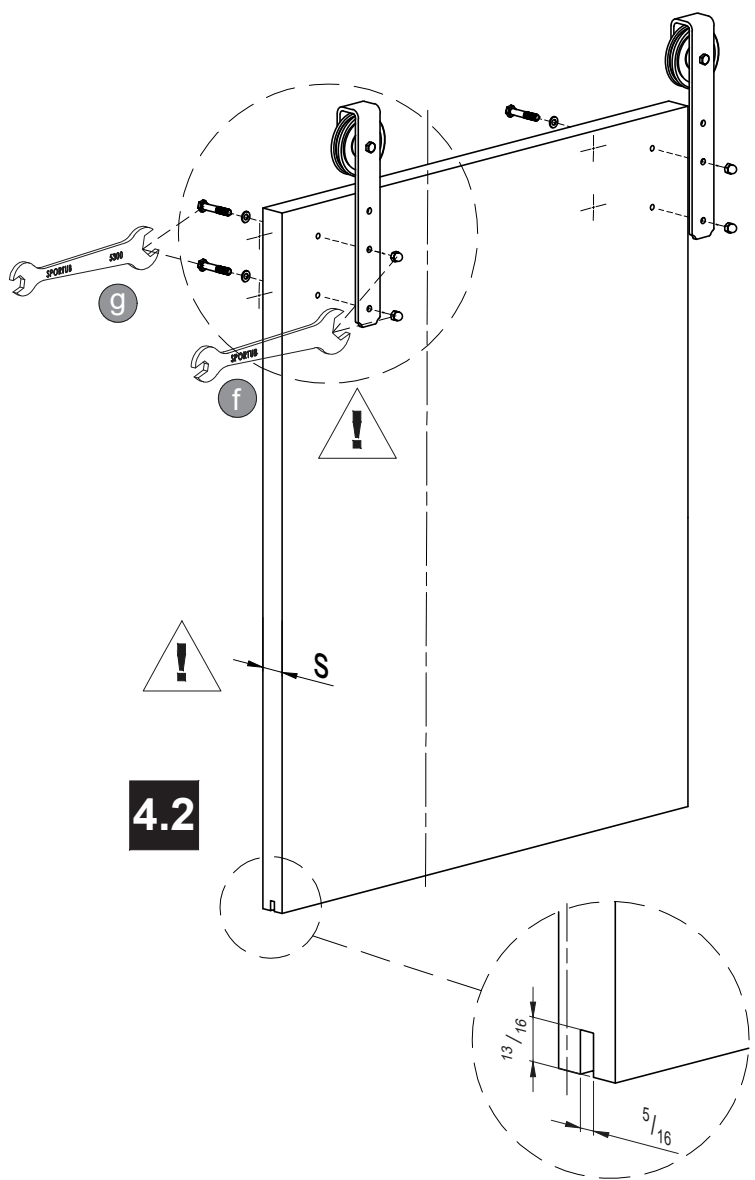
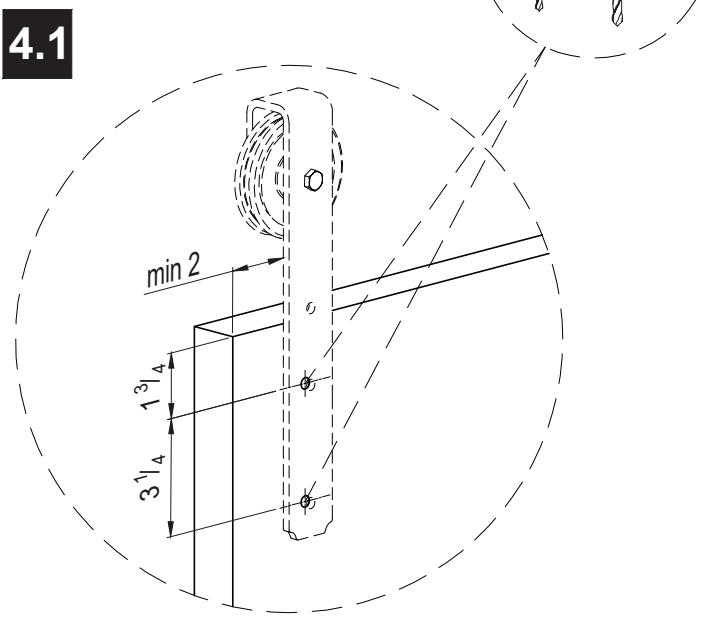
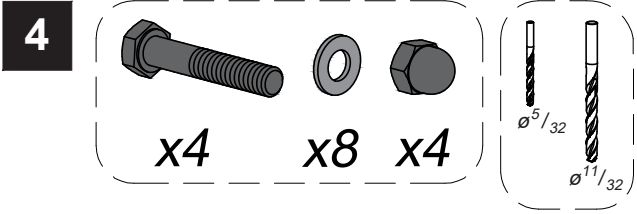
$H_1 = H_0 + 3\frac{3}{16}$   
 $H_1 = h + 2\frac{3}{8}$

2

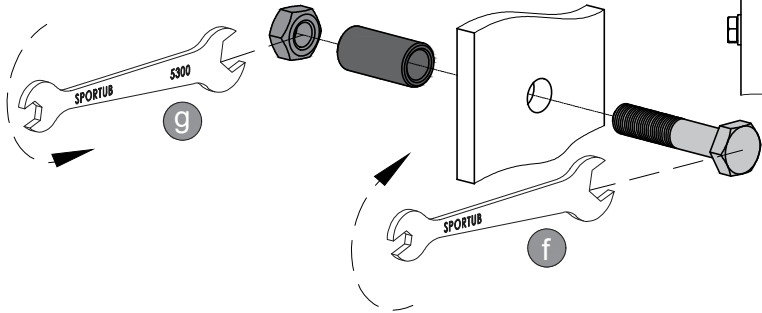
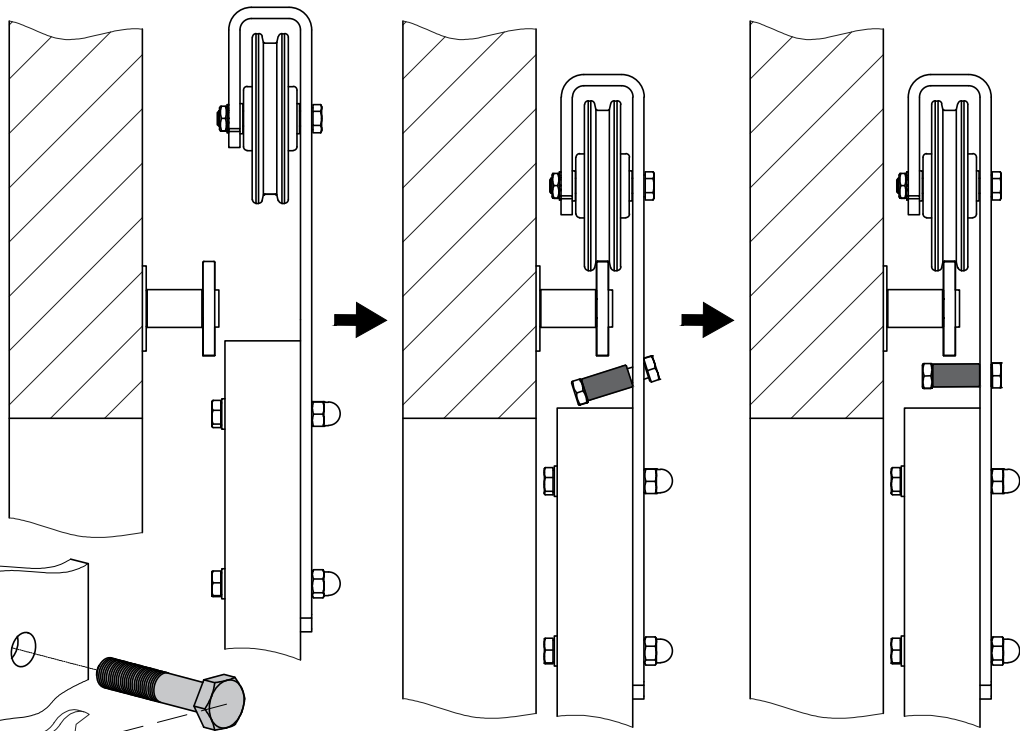
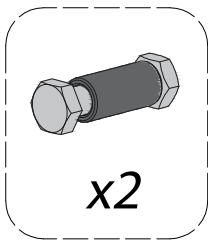


3

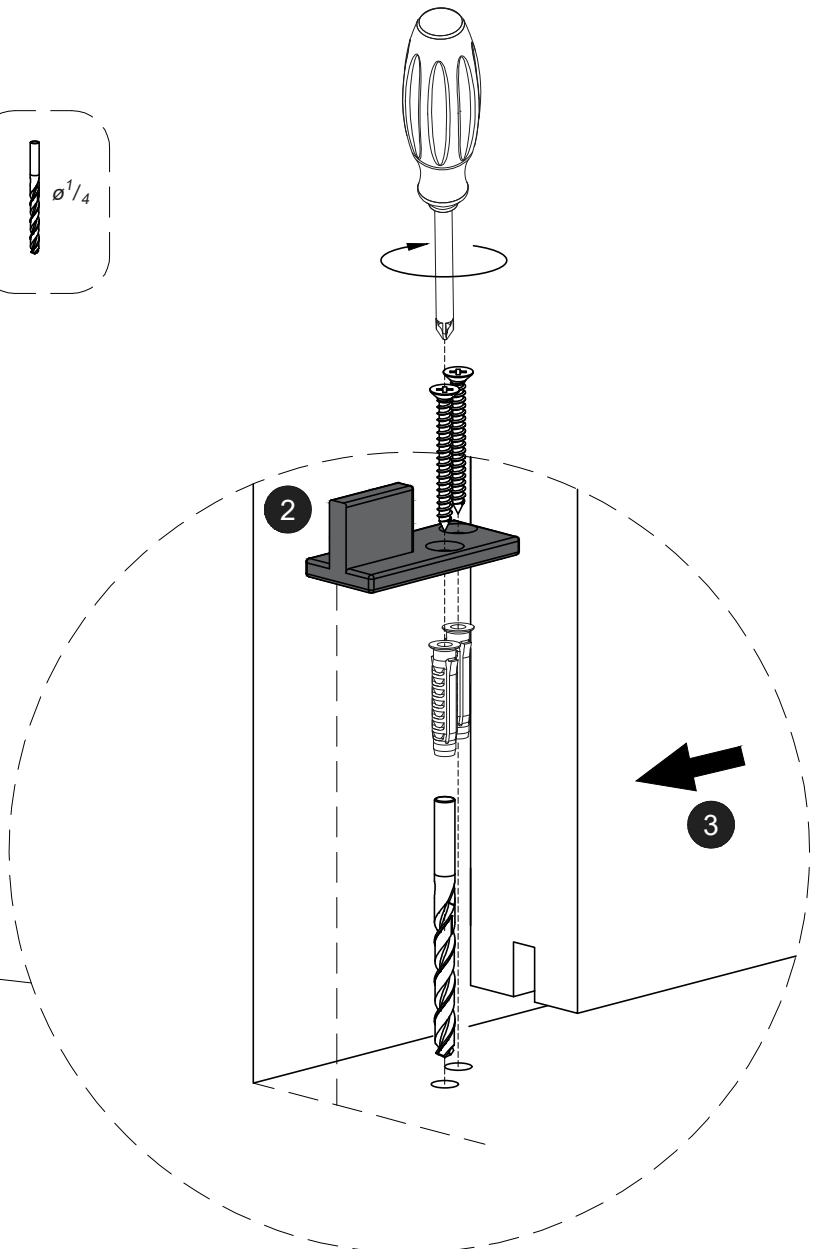
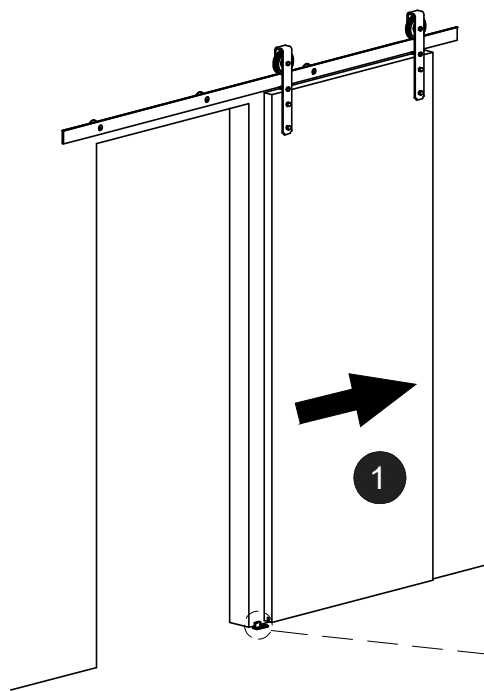
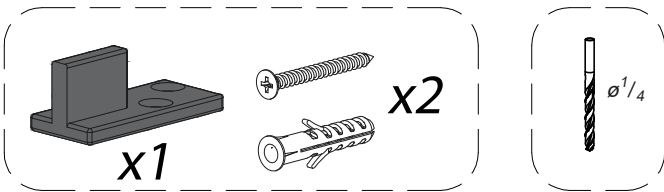




5



6



7

