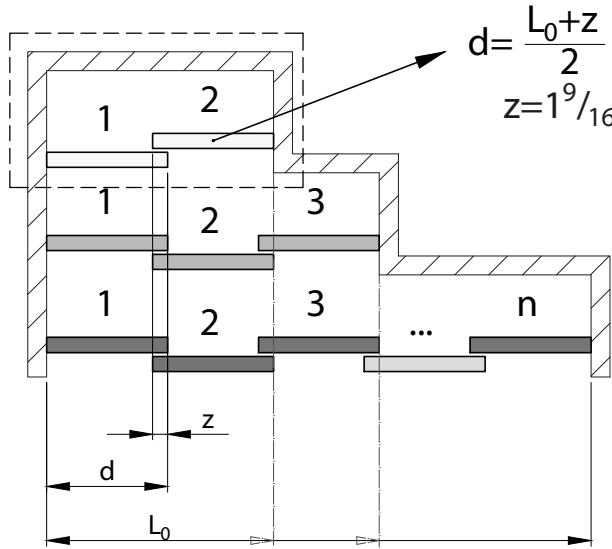
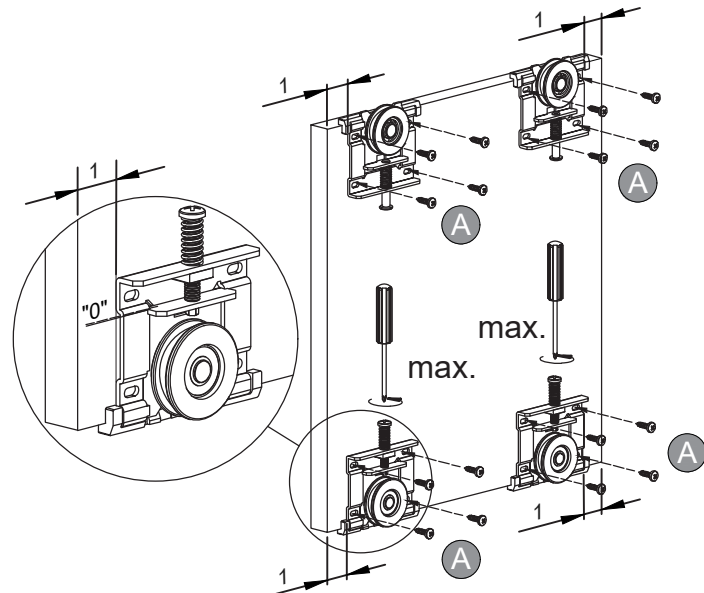
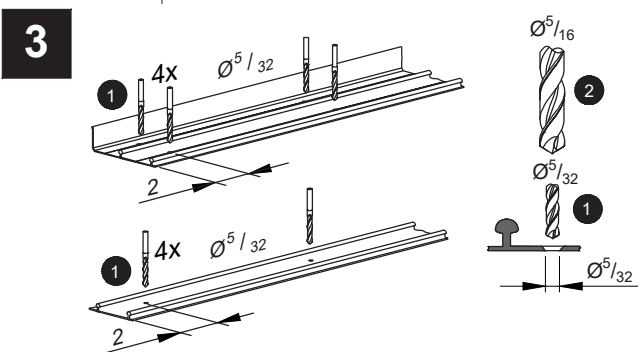
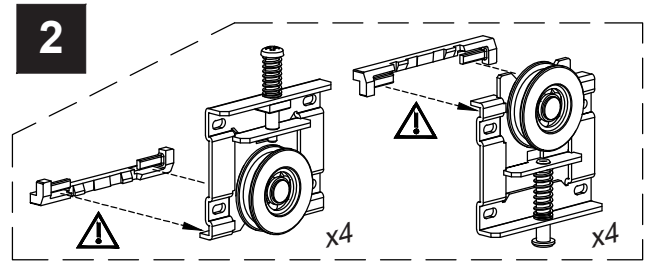
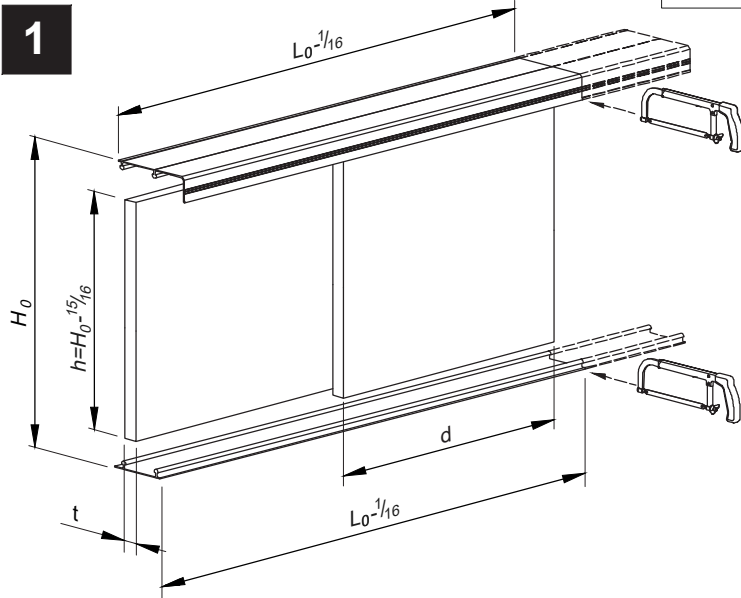
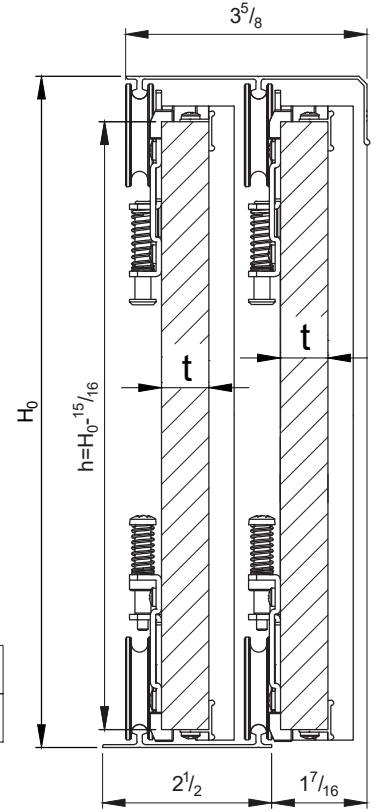


$$d = \frac{L_0 + (n-1) \cdot z}{n}$$

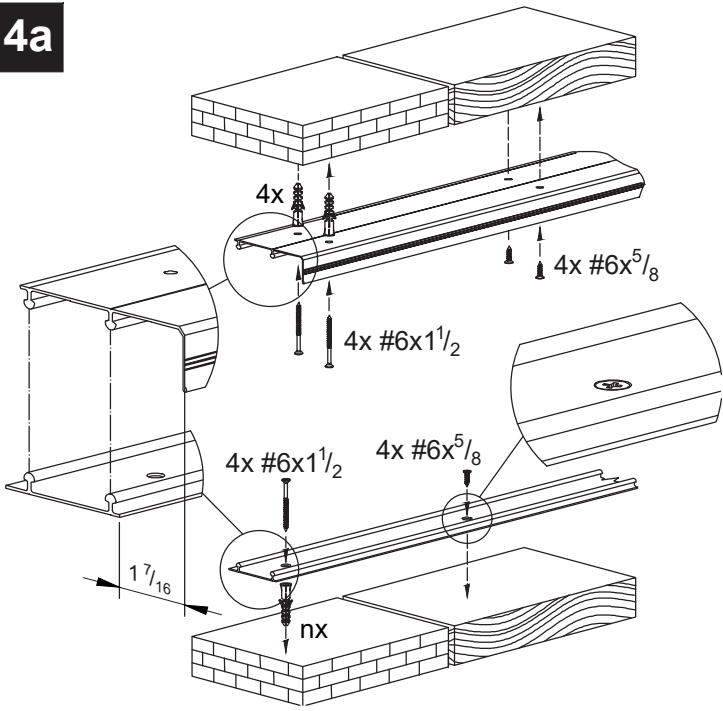
$$z = 1^{9/16}$$



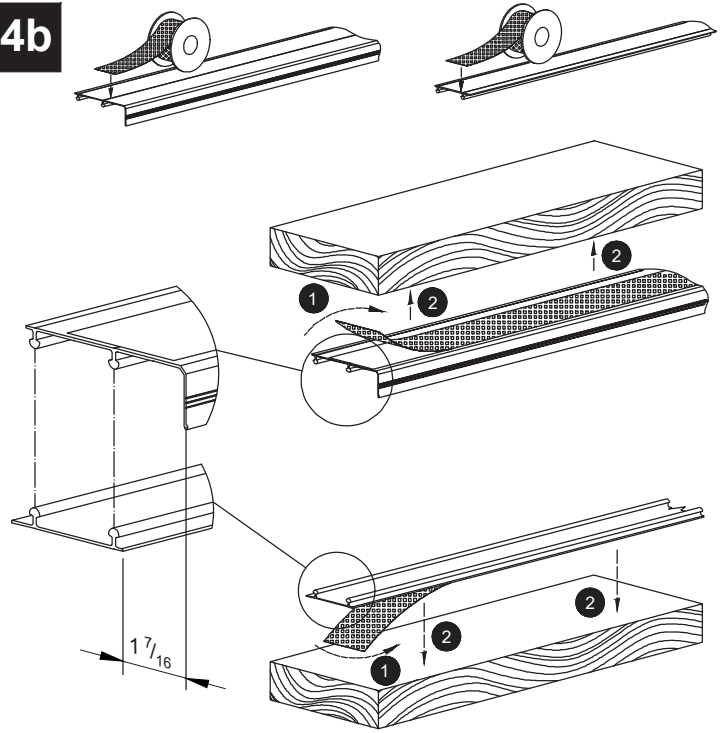
SLID'UP	210	220	230
t[in]	5/8	23/32	3/4



4a

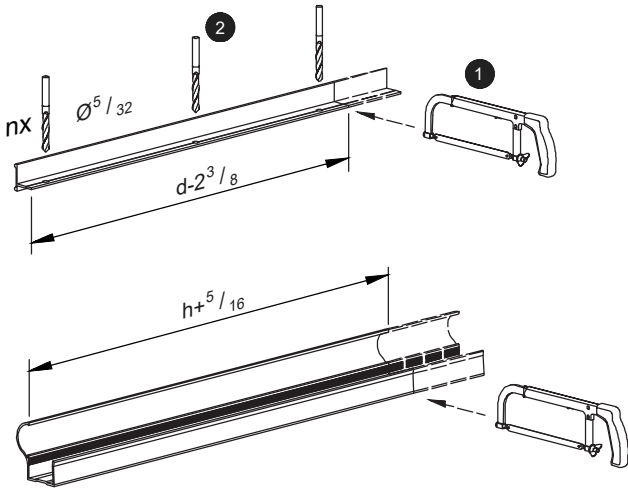


4b

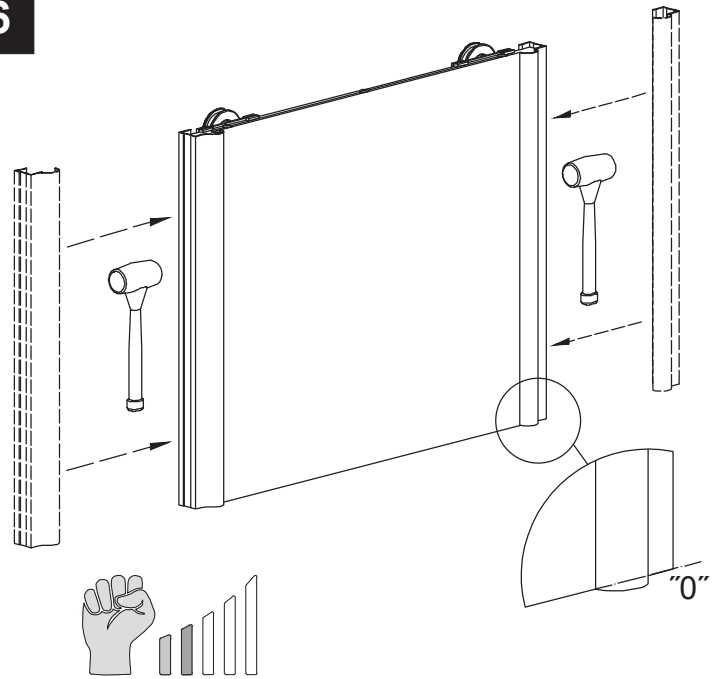


5

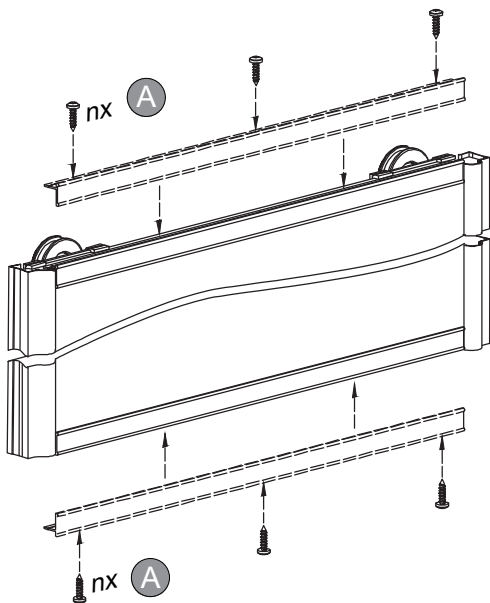
d [in]	<20	≥20
n	2	3

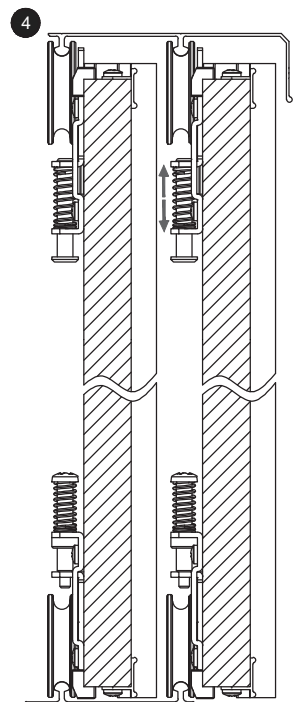
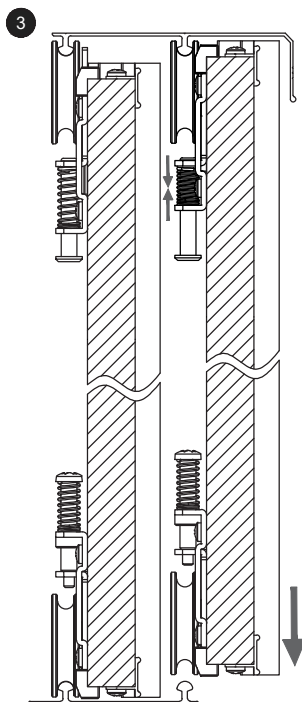
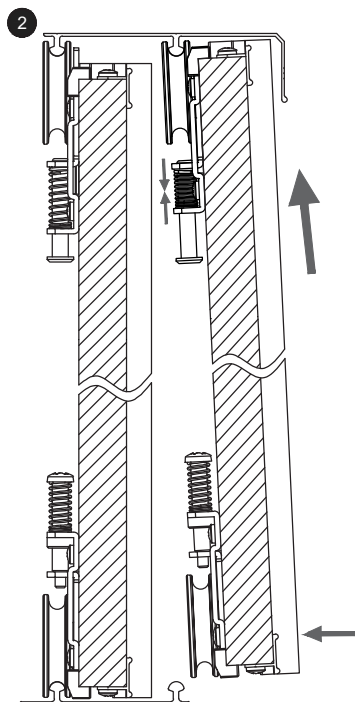
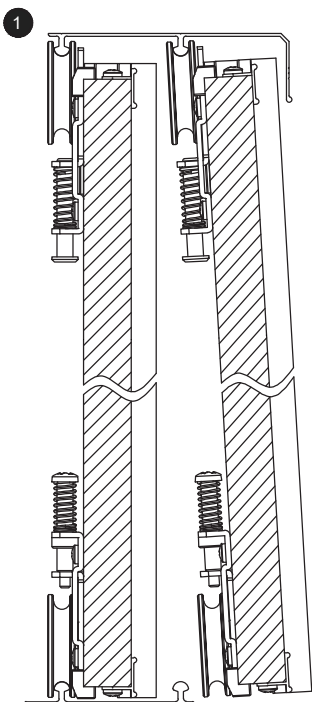
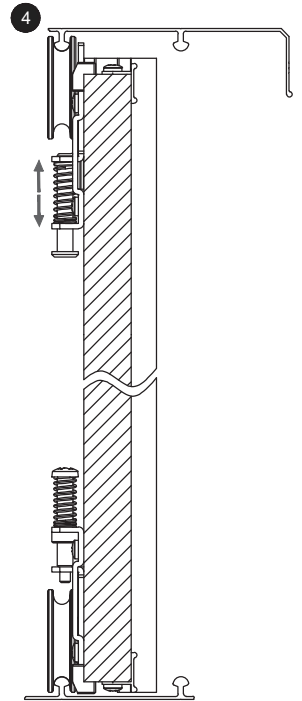
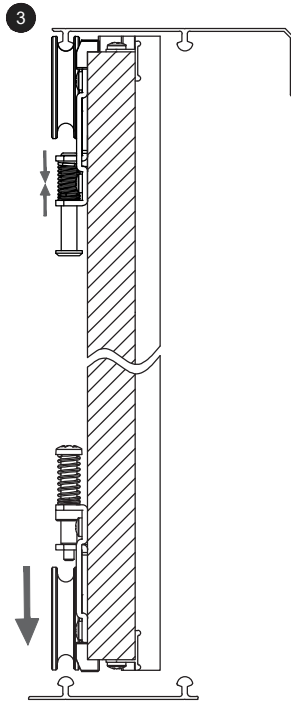
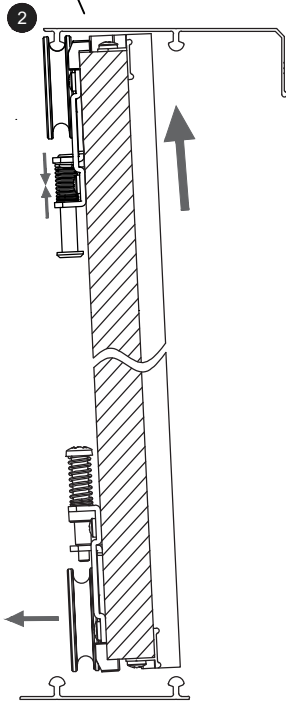
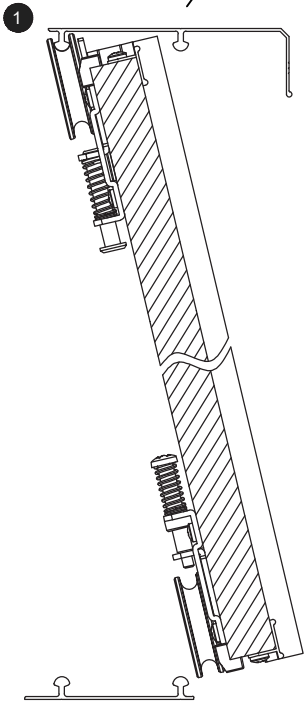
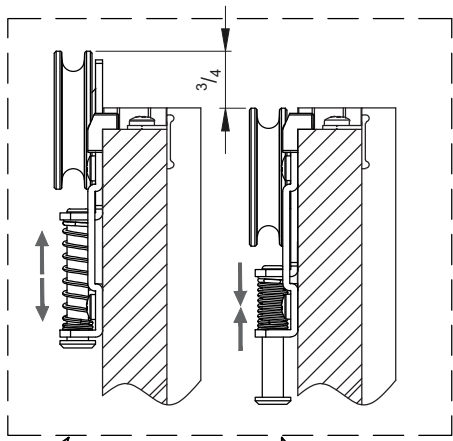


6

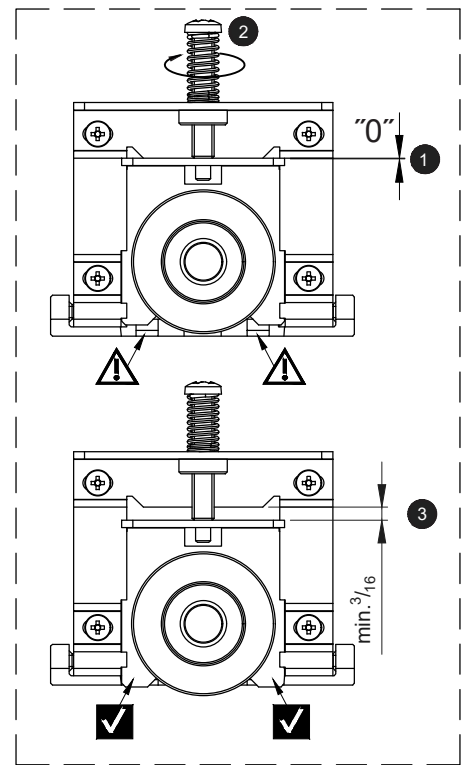
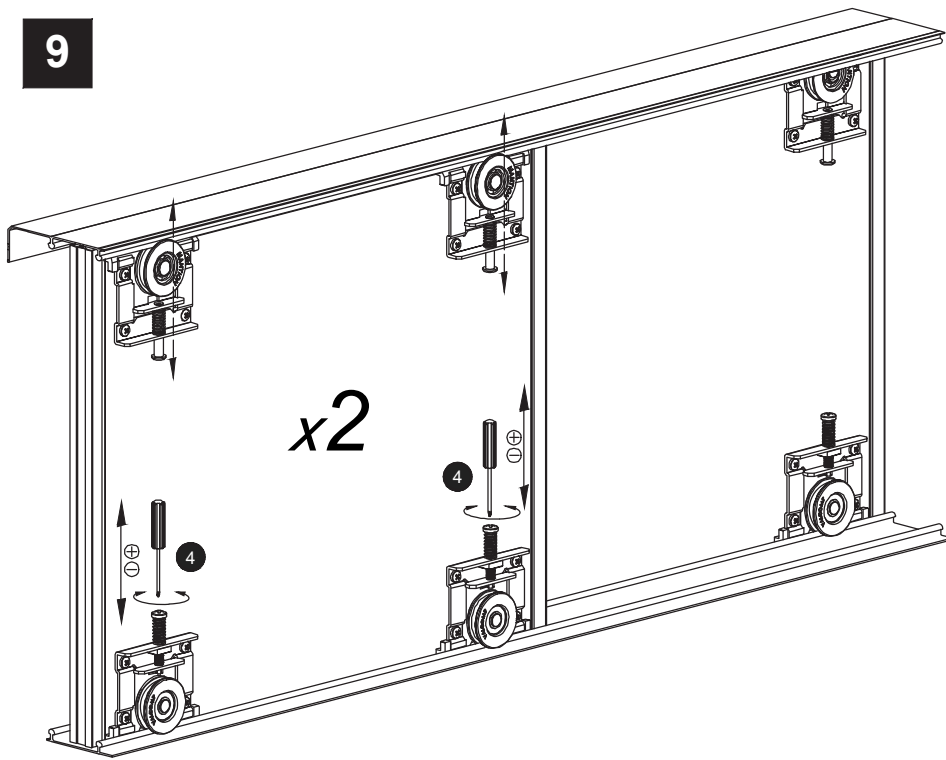


7

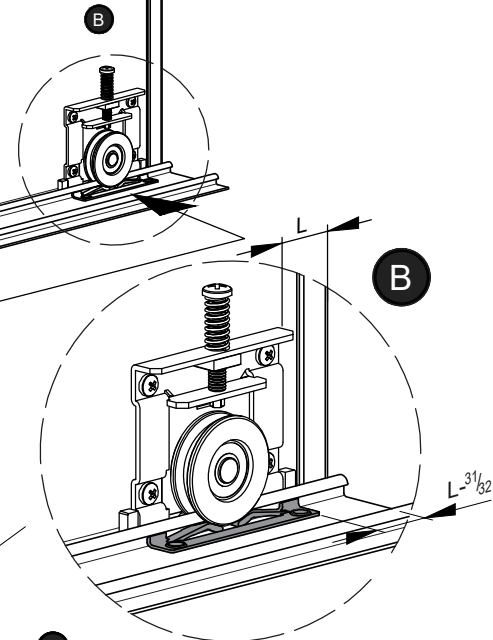
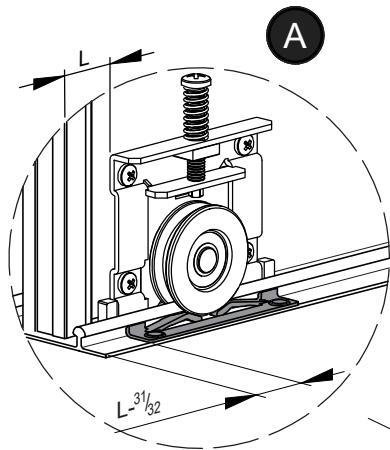
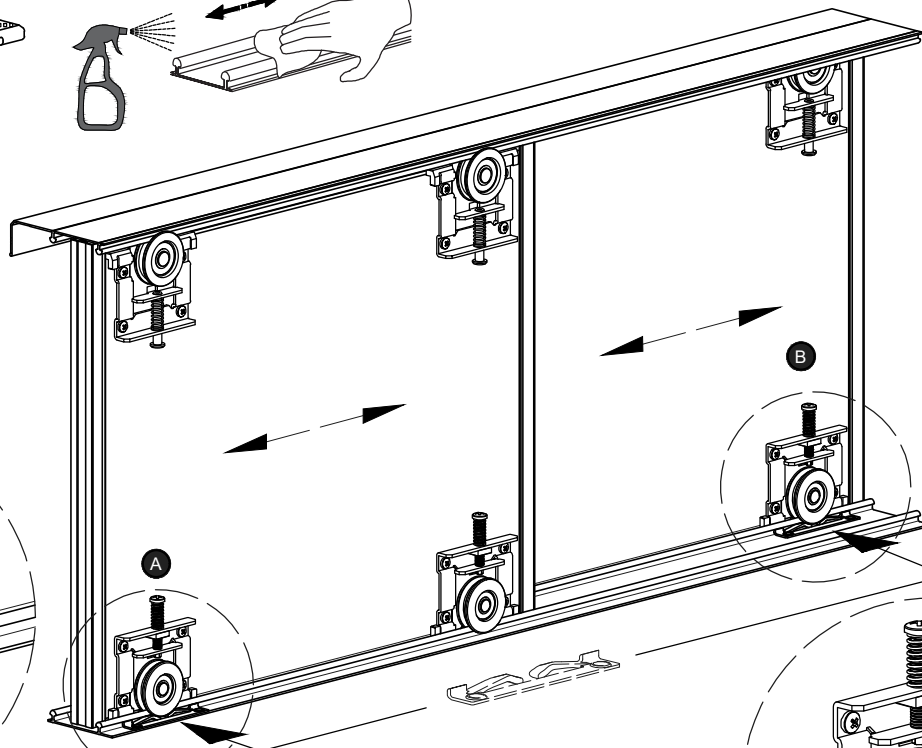
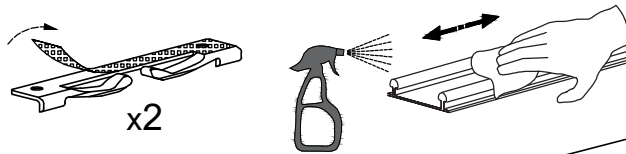




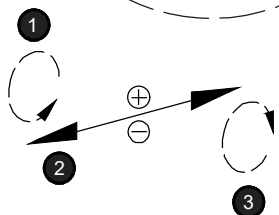
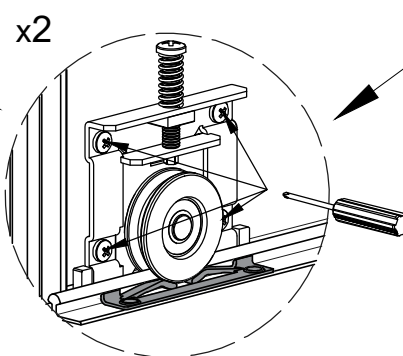
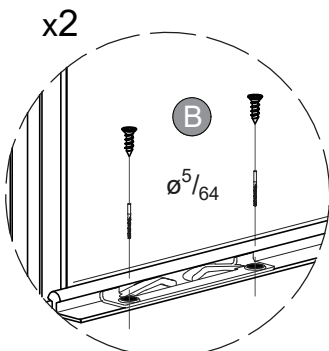
9



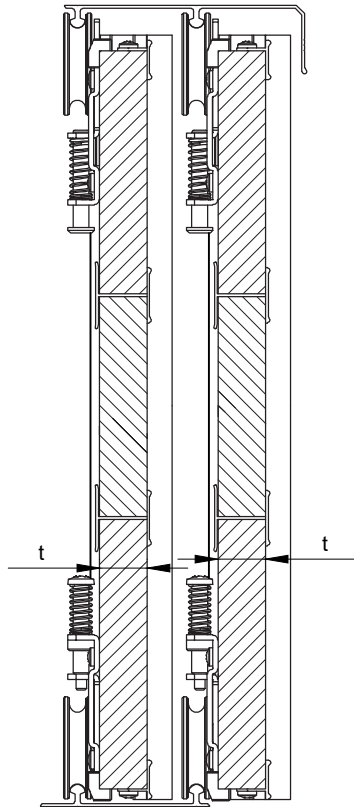
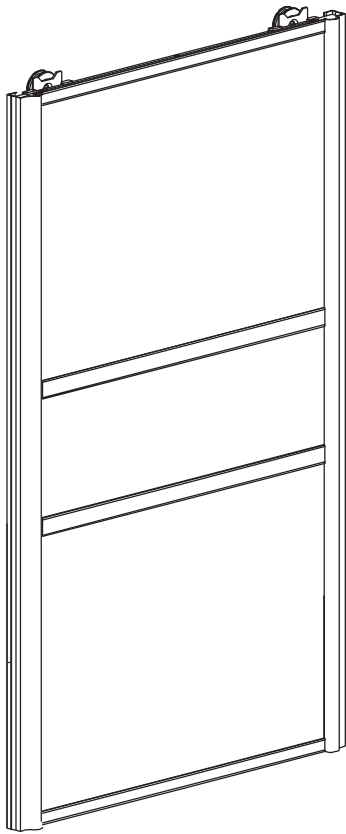
10



11



a SU5288
SU5482



SLID'UP	210	220	230
t[in]	5/8	23/32	3/4

b SU5263
SU5264 SU5314
SU5265 SU5484

