

x1



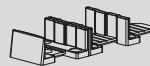
x2



x2



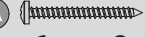

x2

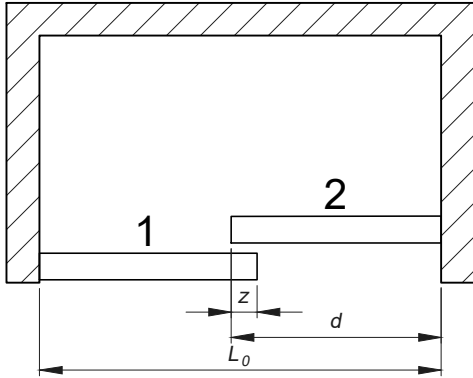


x1

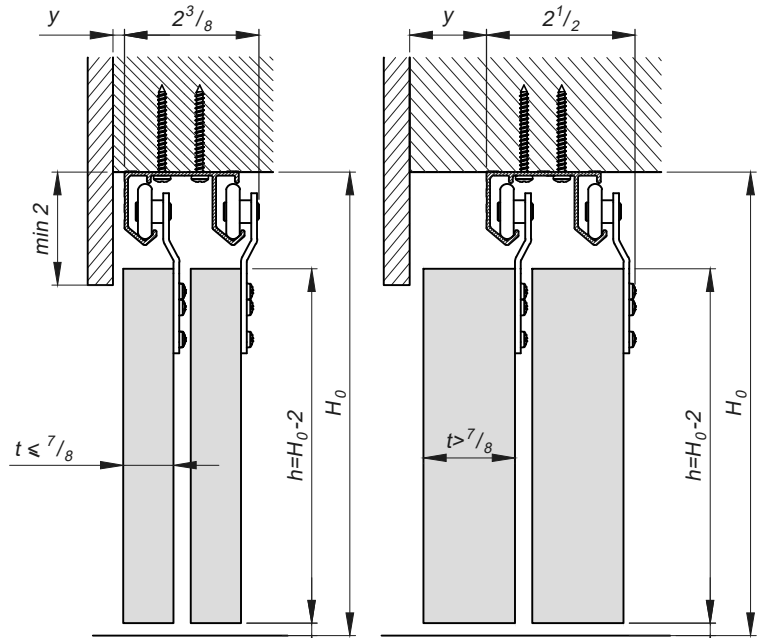


x1

- A  x6 to x8
- B  x16



$$d = \frac{L_0 + z}{2}$$

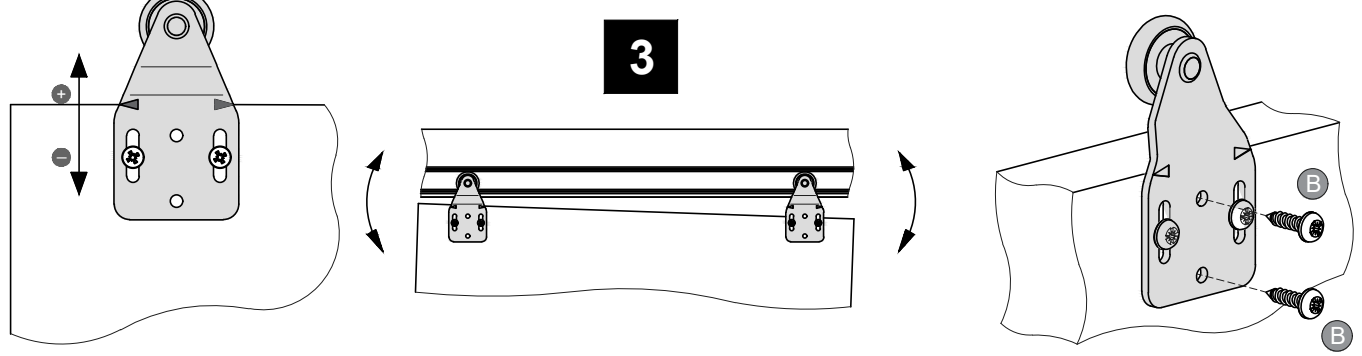
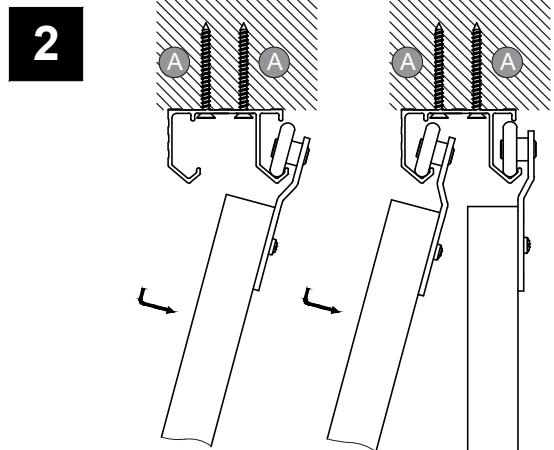
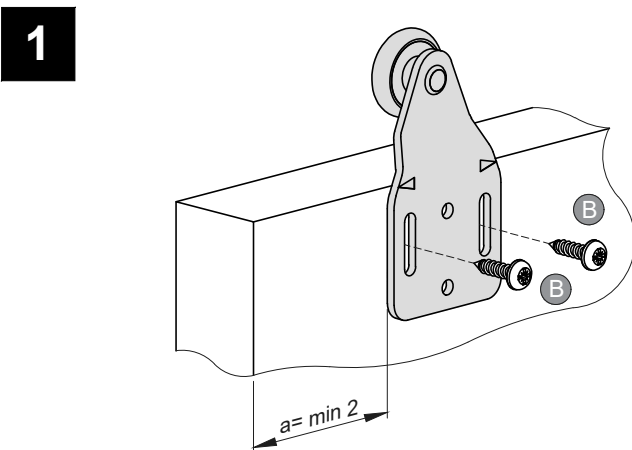


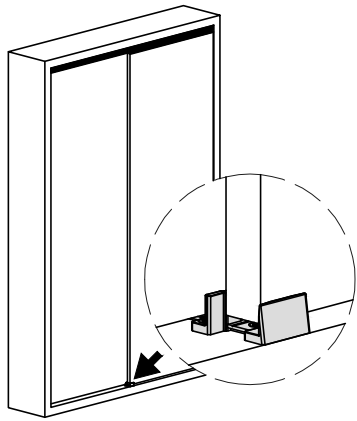
t [in]	5/8	23/32	3/4	7/8
y [in]	0	1/16	3/16	

3/16 to 7/16

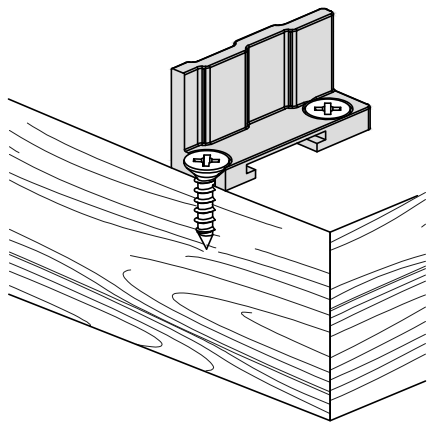
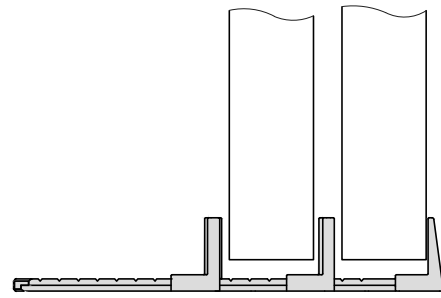
t [in]	> 7/8
y [in]	t - 1/4

3/16 to 7/16

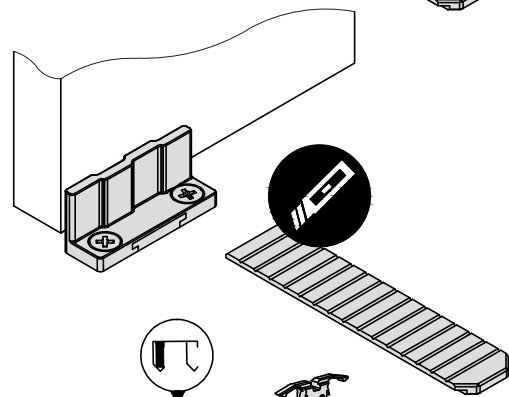
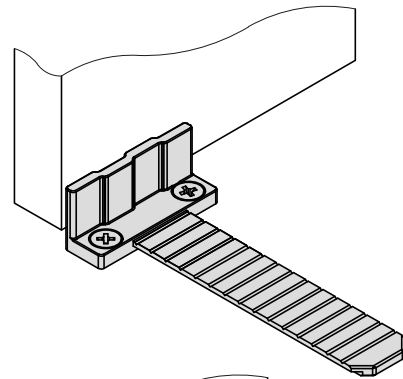




4



5



6

