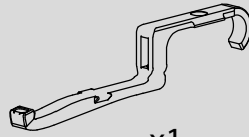
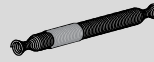


x1



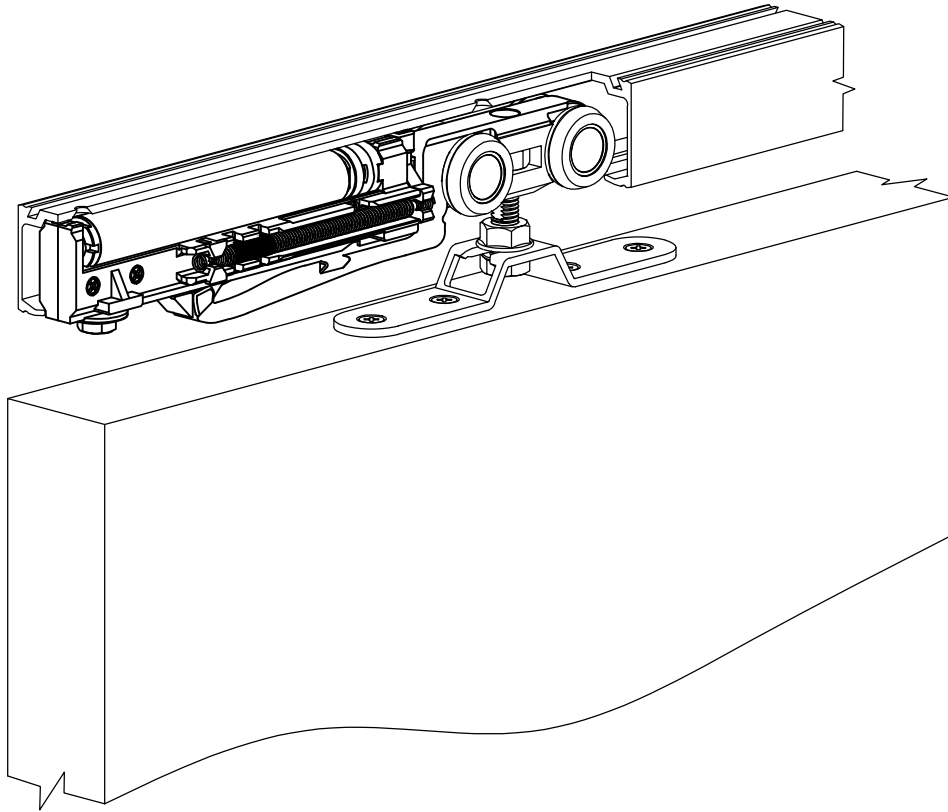
x1



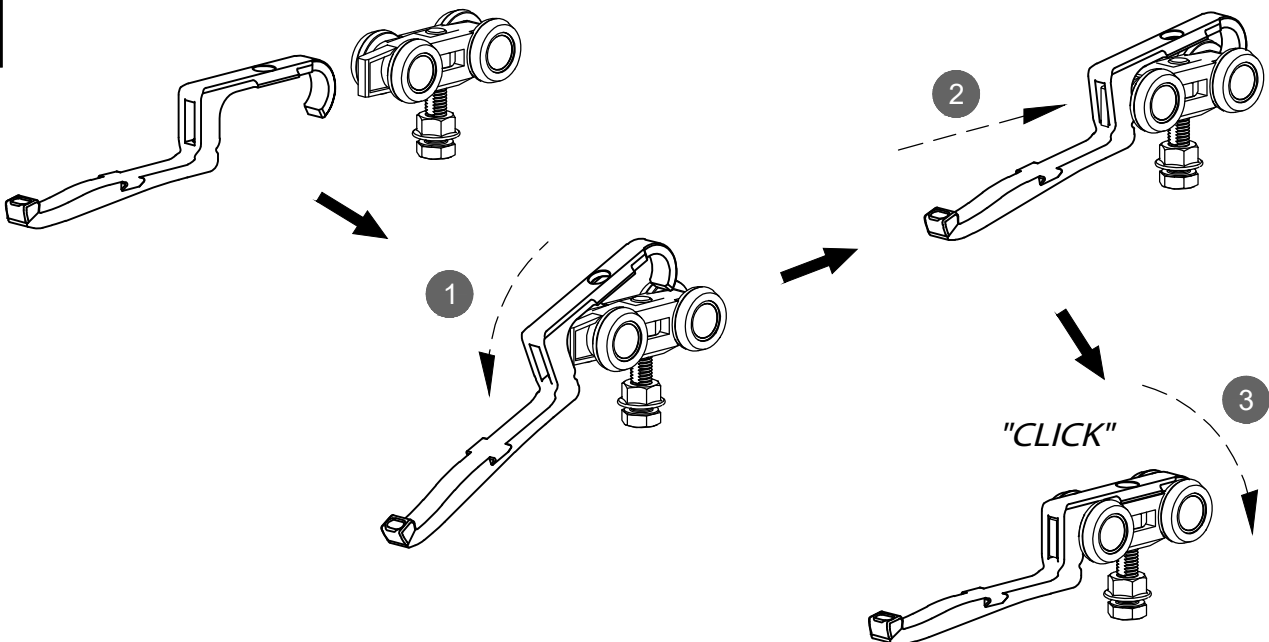
x2

1

x1

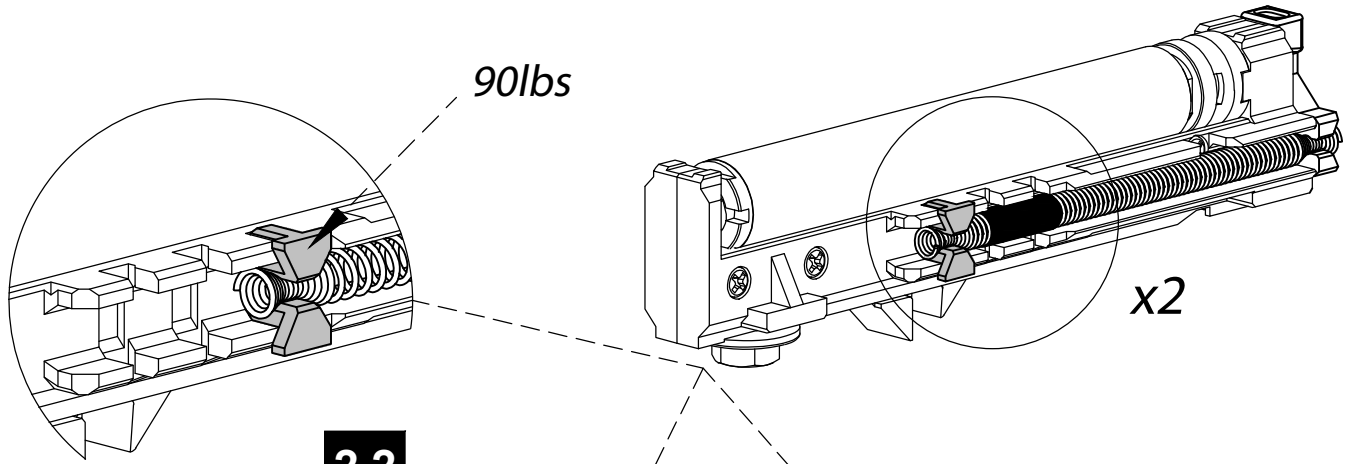


1



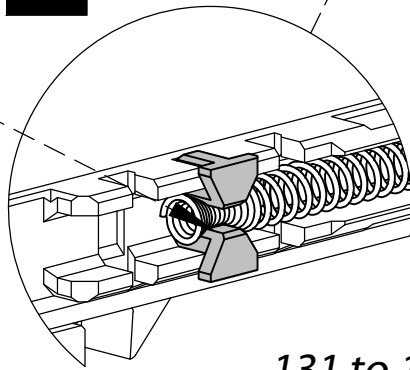
2

2.1



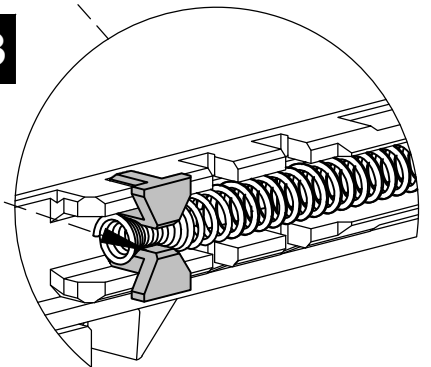
2.2

91 to 130lbs

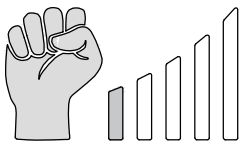
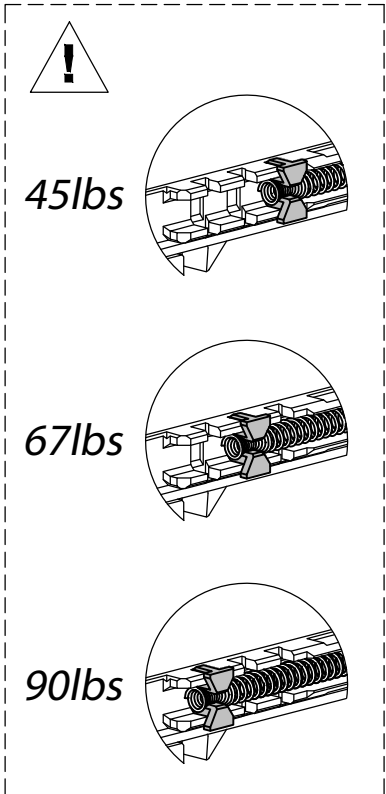
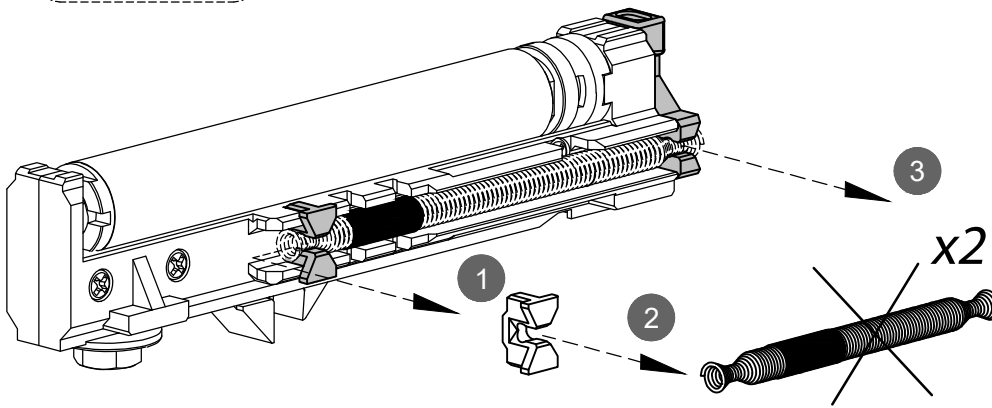


2.3

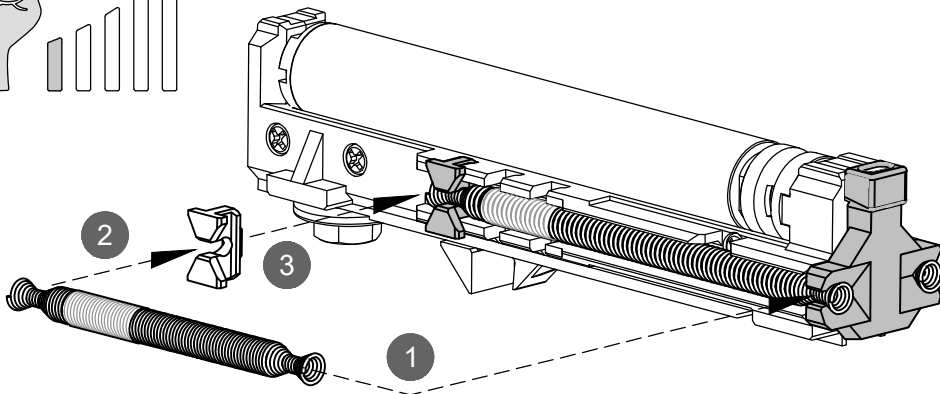
131 to 175lbs



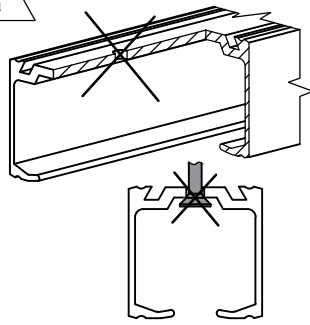
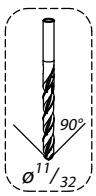
3



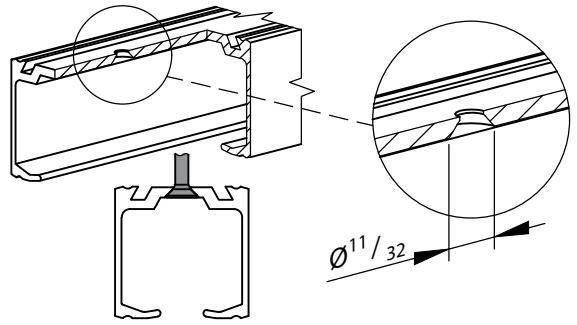
x2



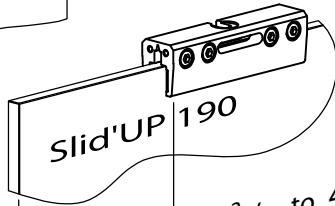
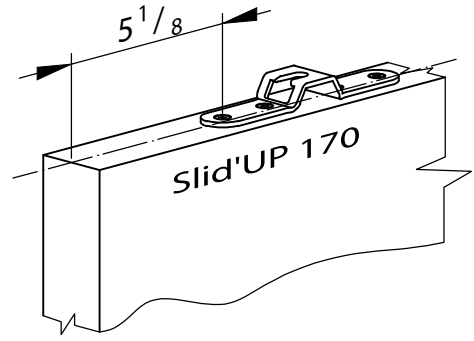
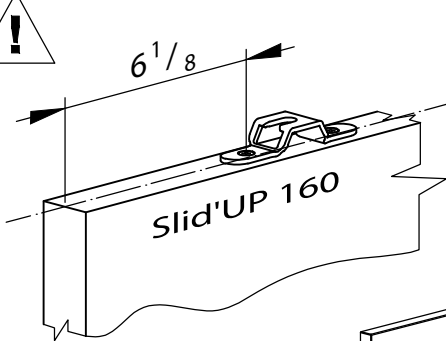
4



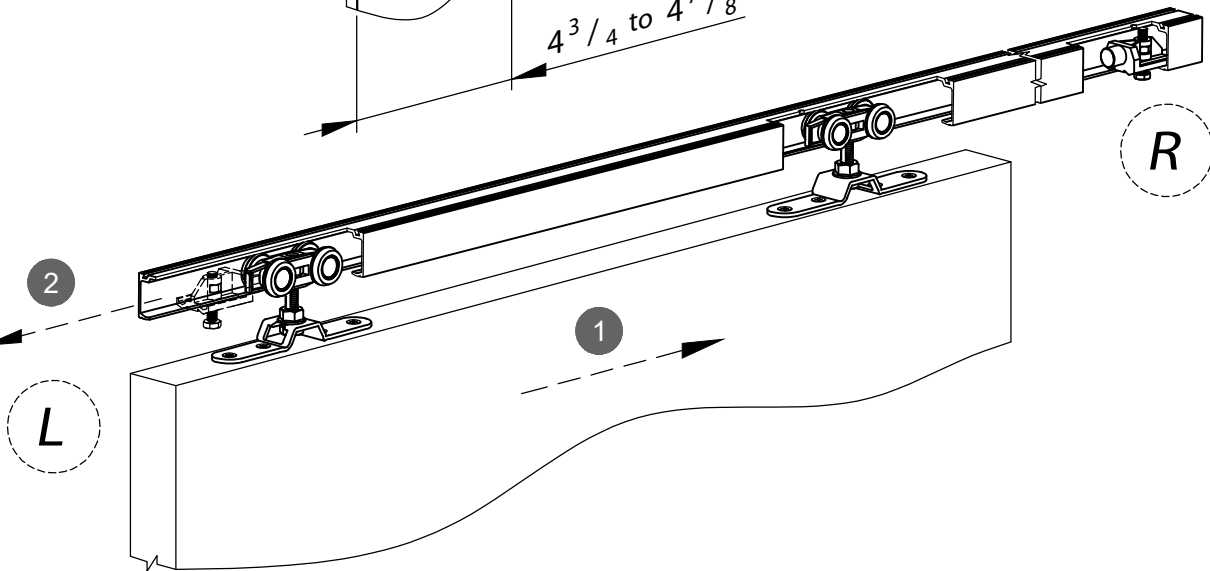
xn



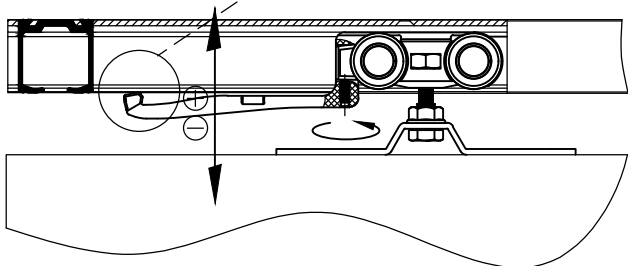
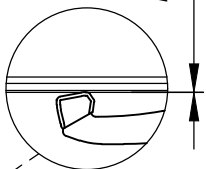
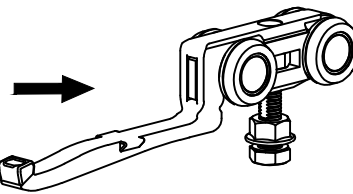
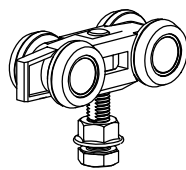
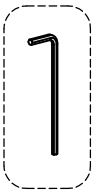
5



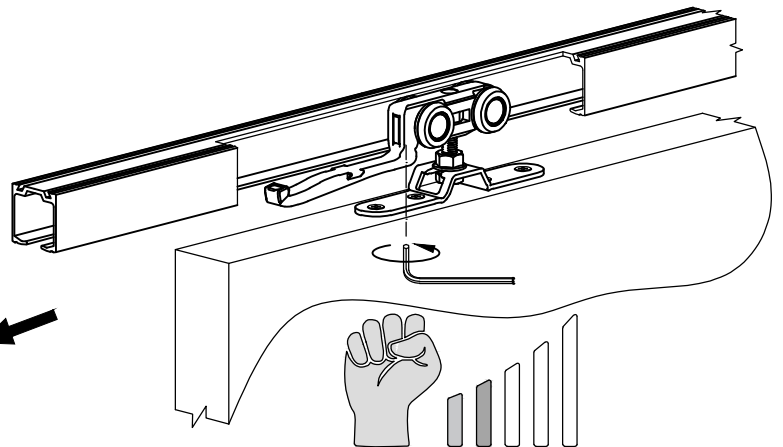
6



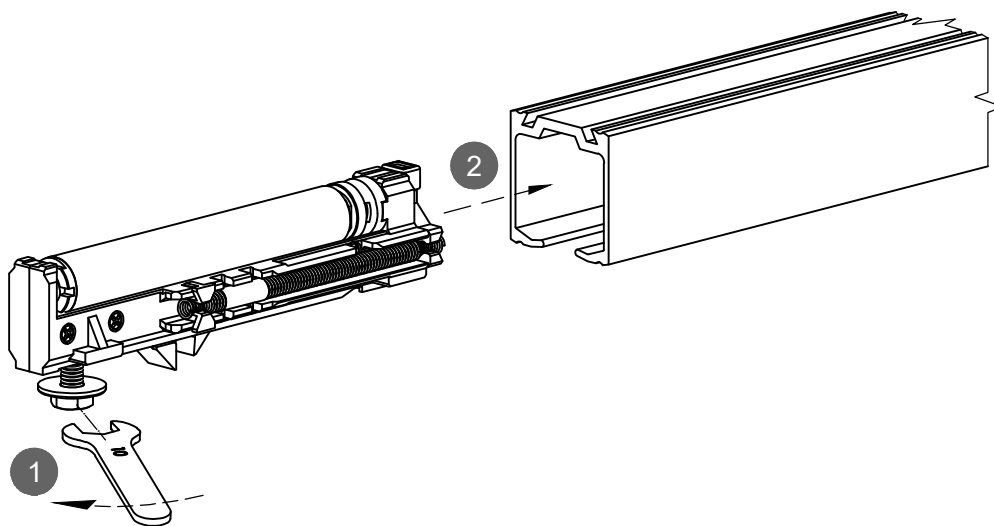
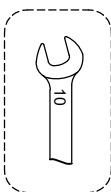
7



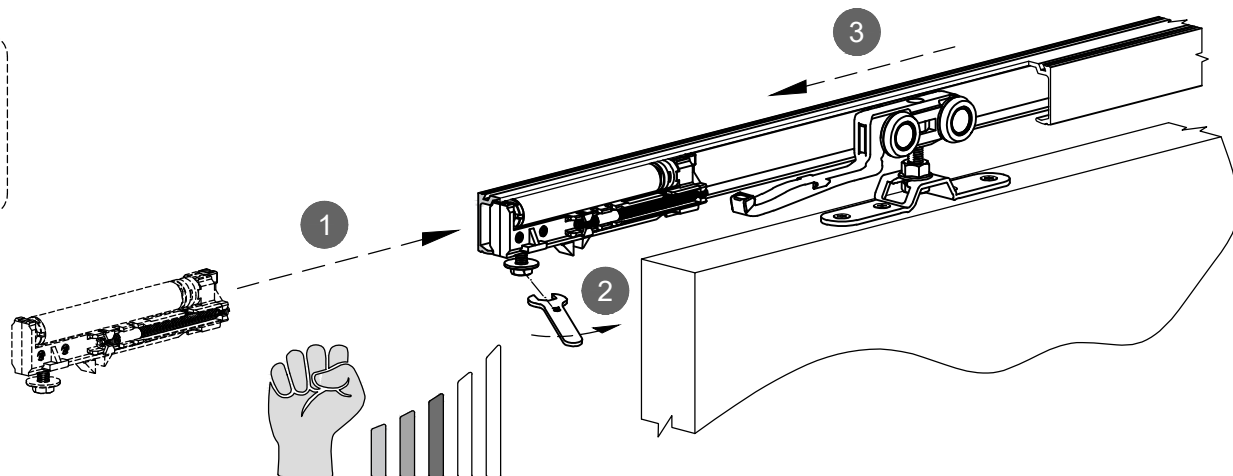
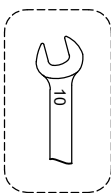
→



8



9



10

