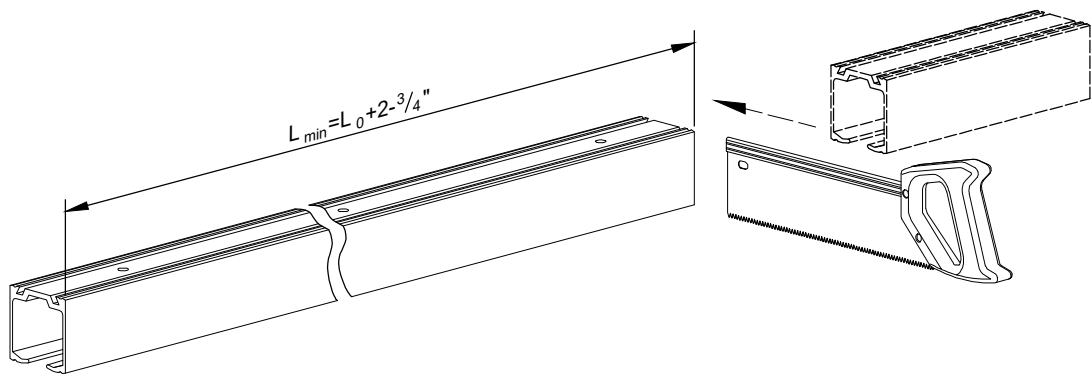


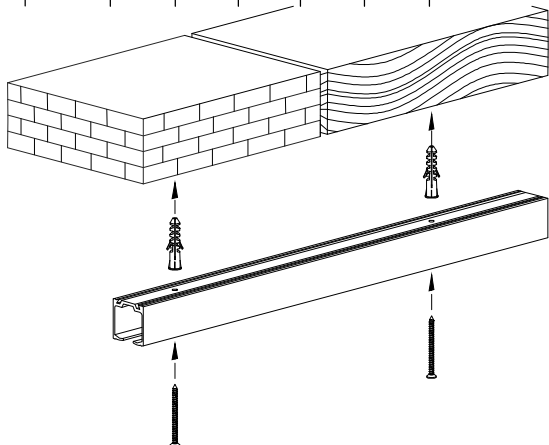
1



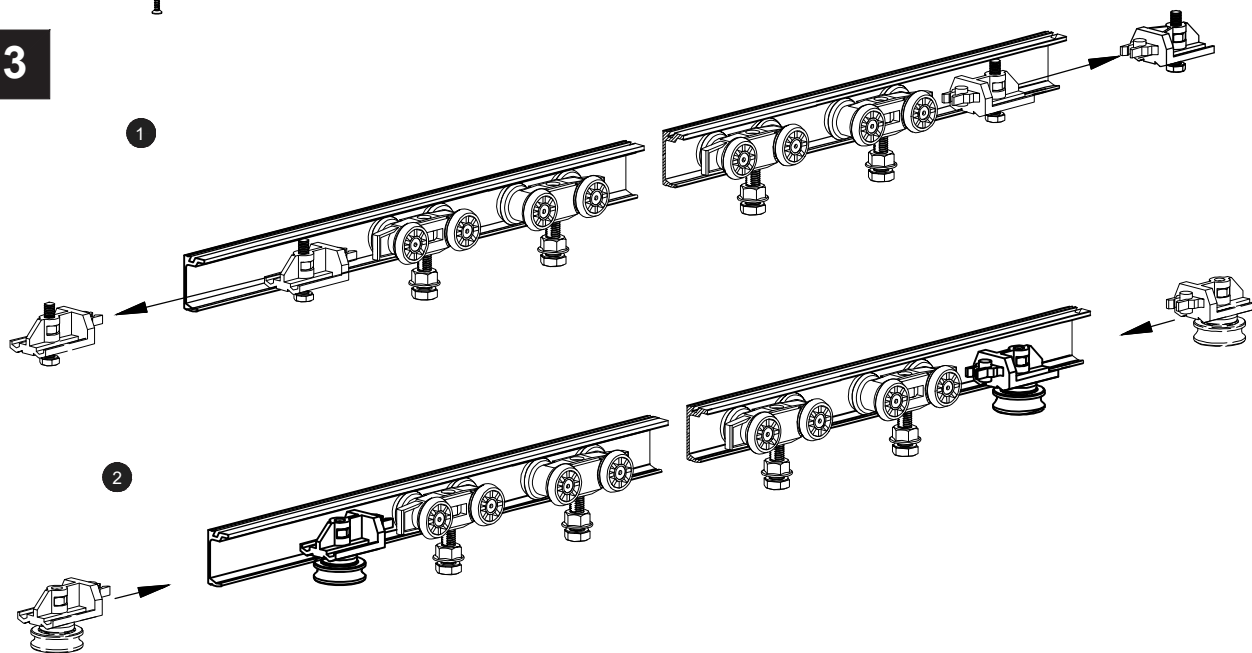
2

Number of screws depending on track length

L [in]	47	59	78	95	118
n	5	6	7	9	11

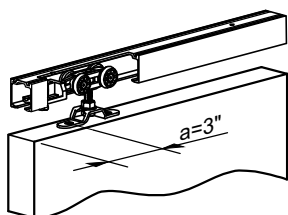


3

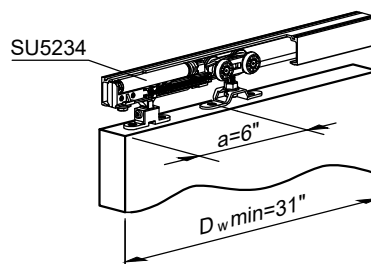


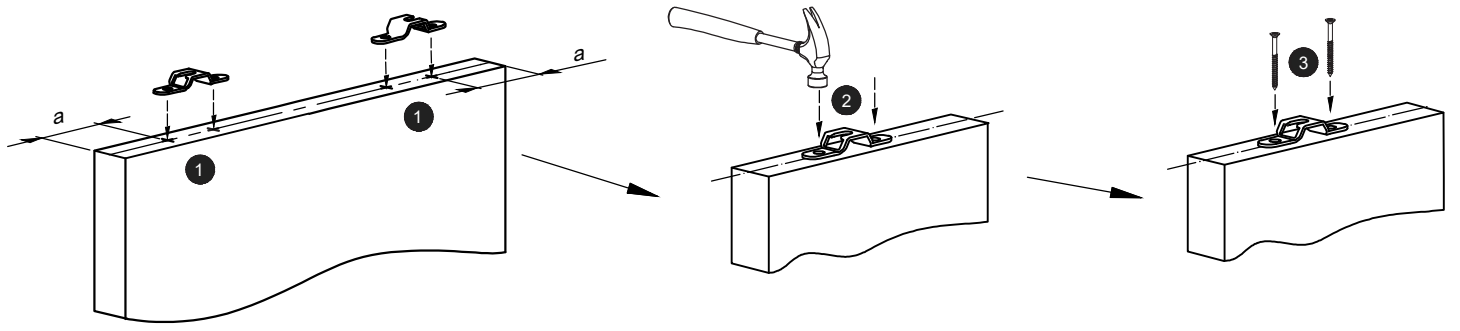
4

Without soft closer

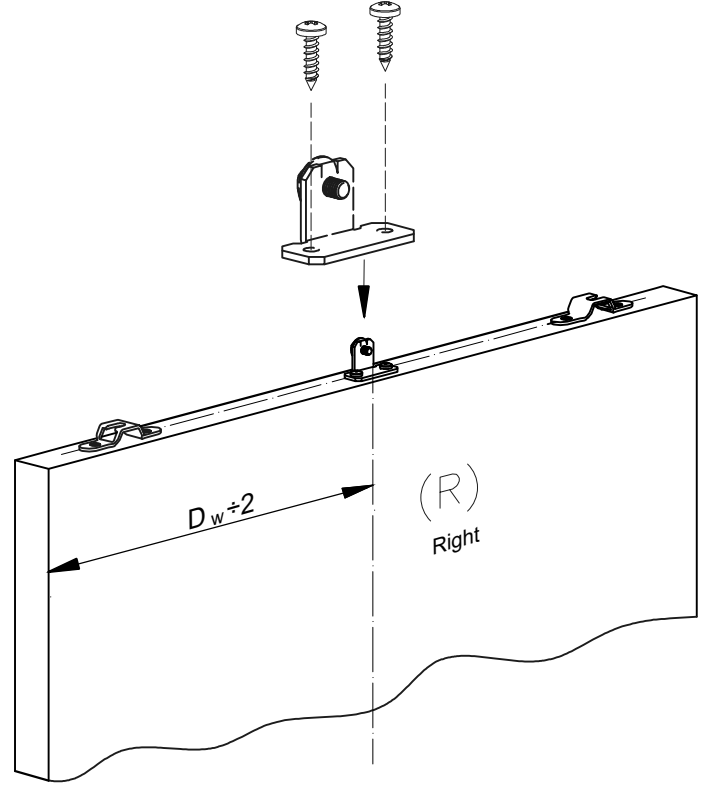
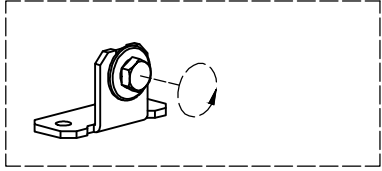


With soft closer SU5234

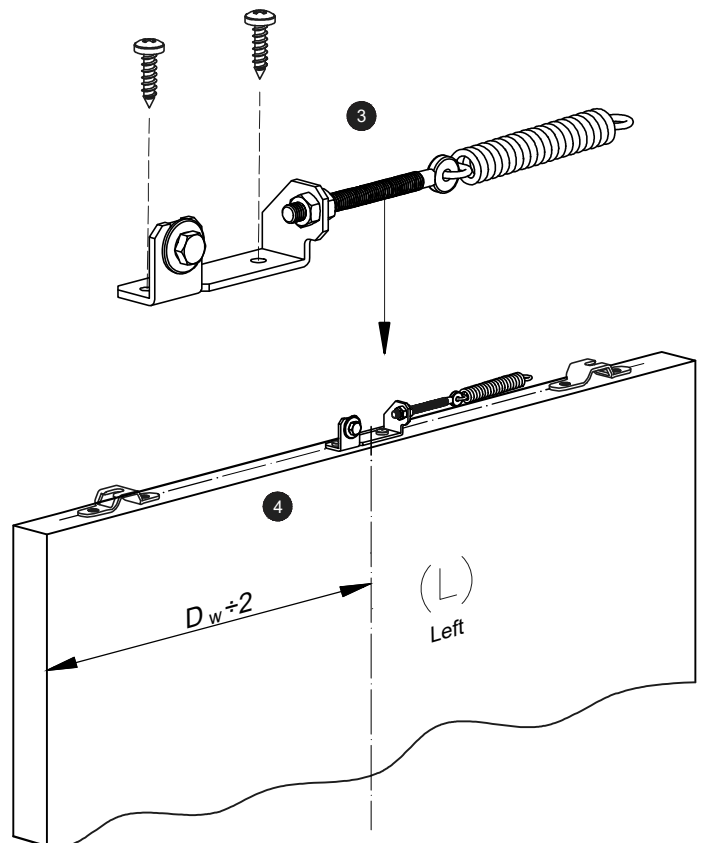
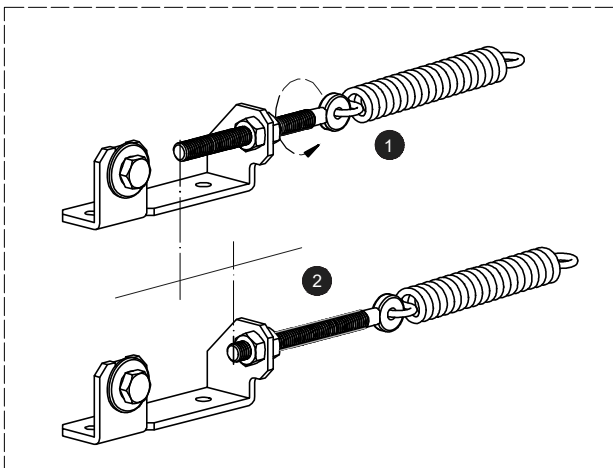




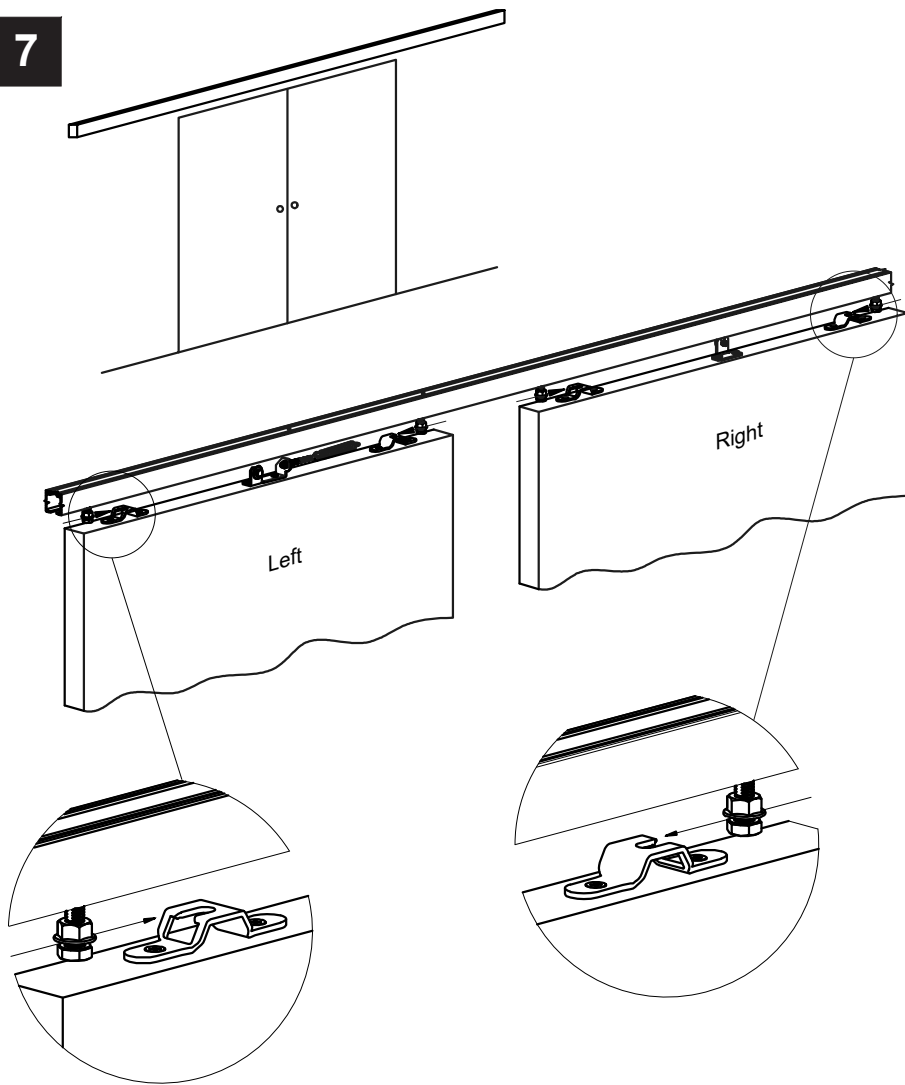
5



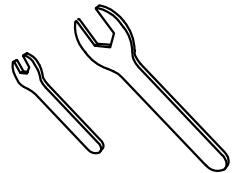
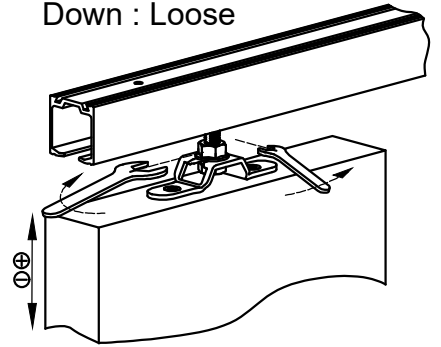
6



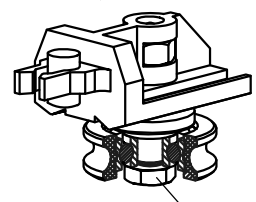
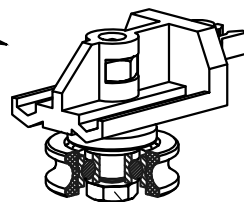
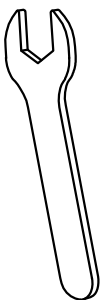
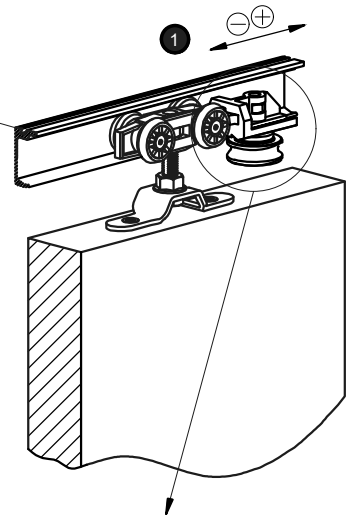
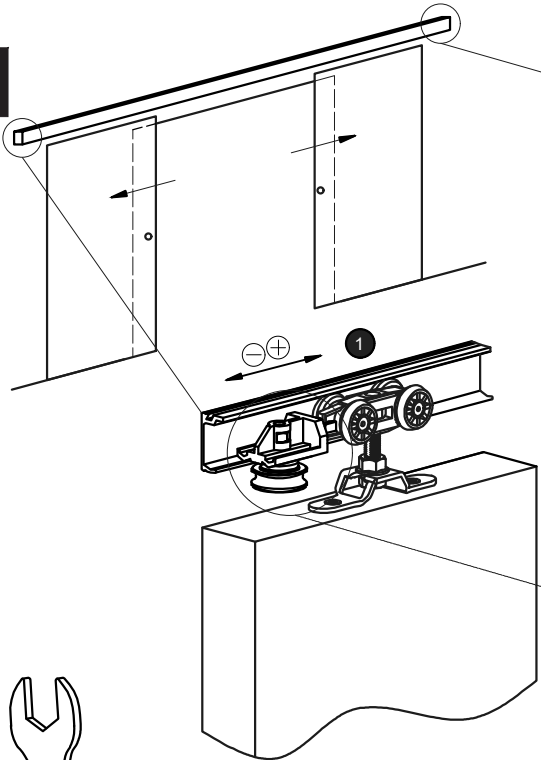
7



Set-up of the door :
 Up : High
 Down : Loose

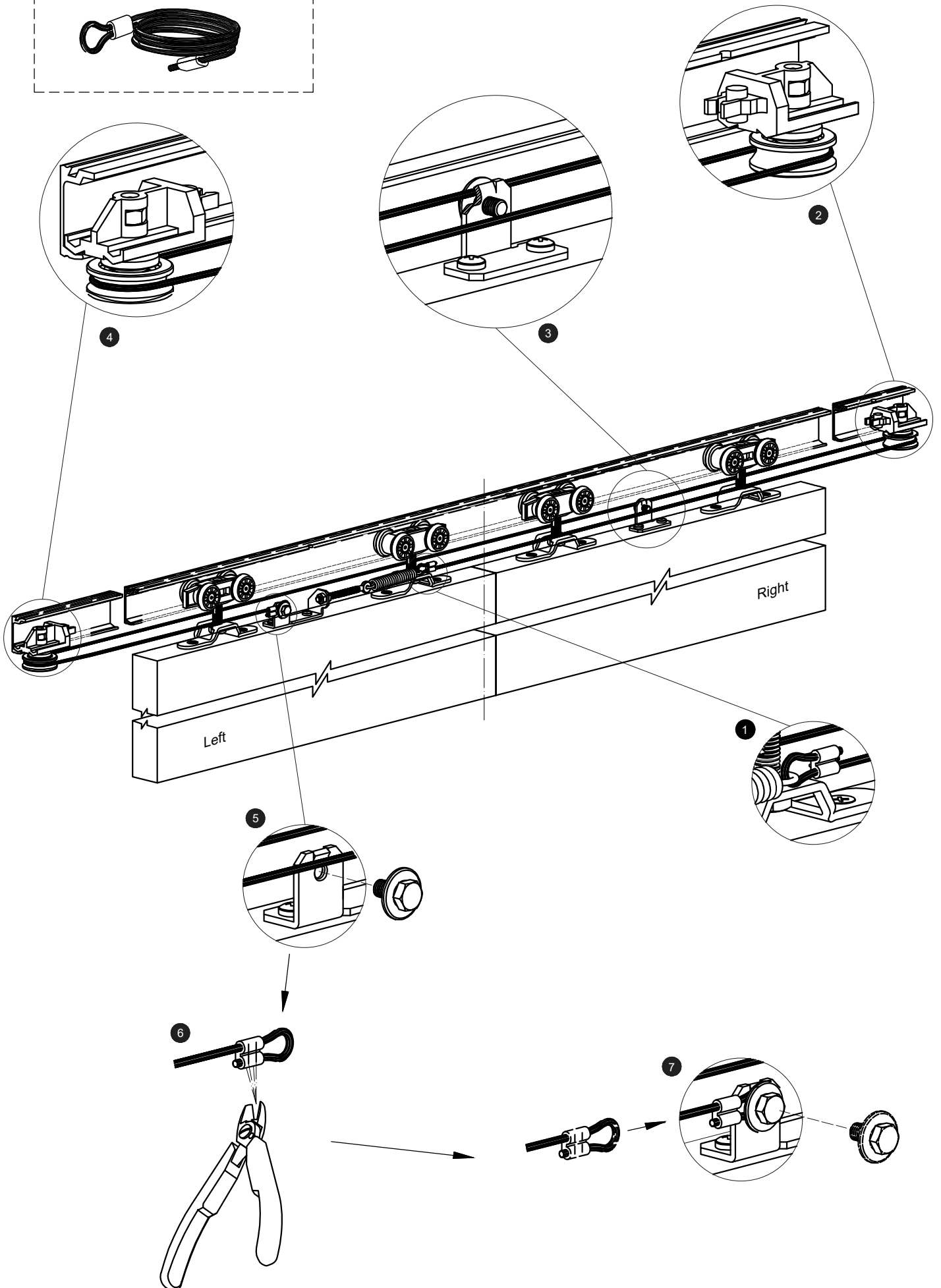
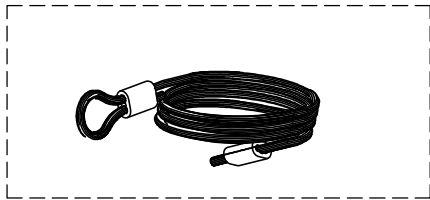


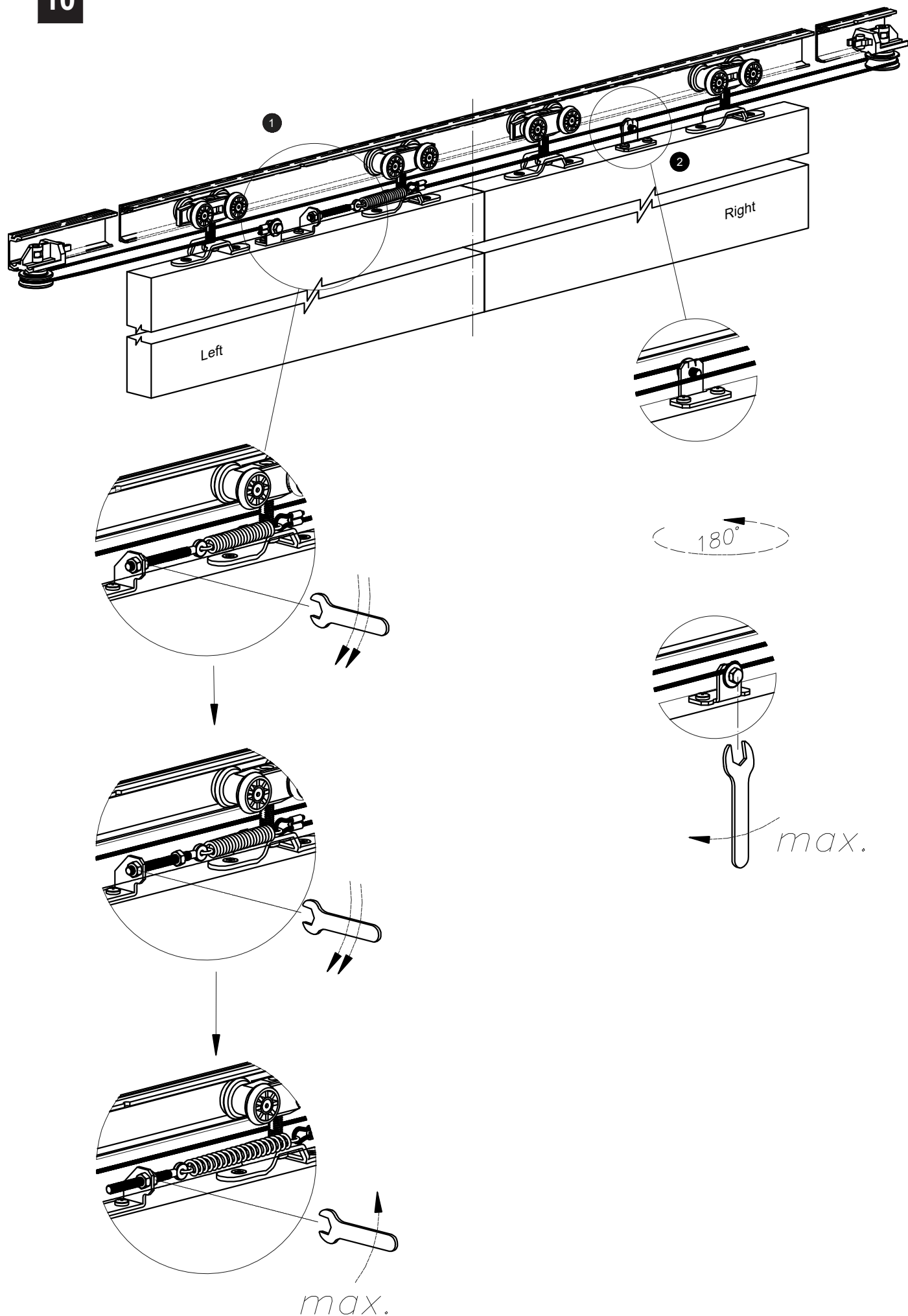
8



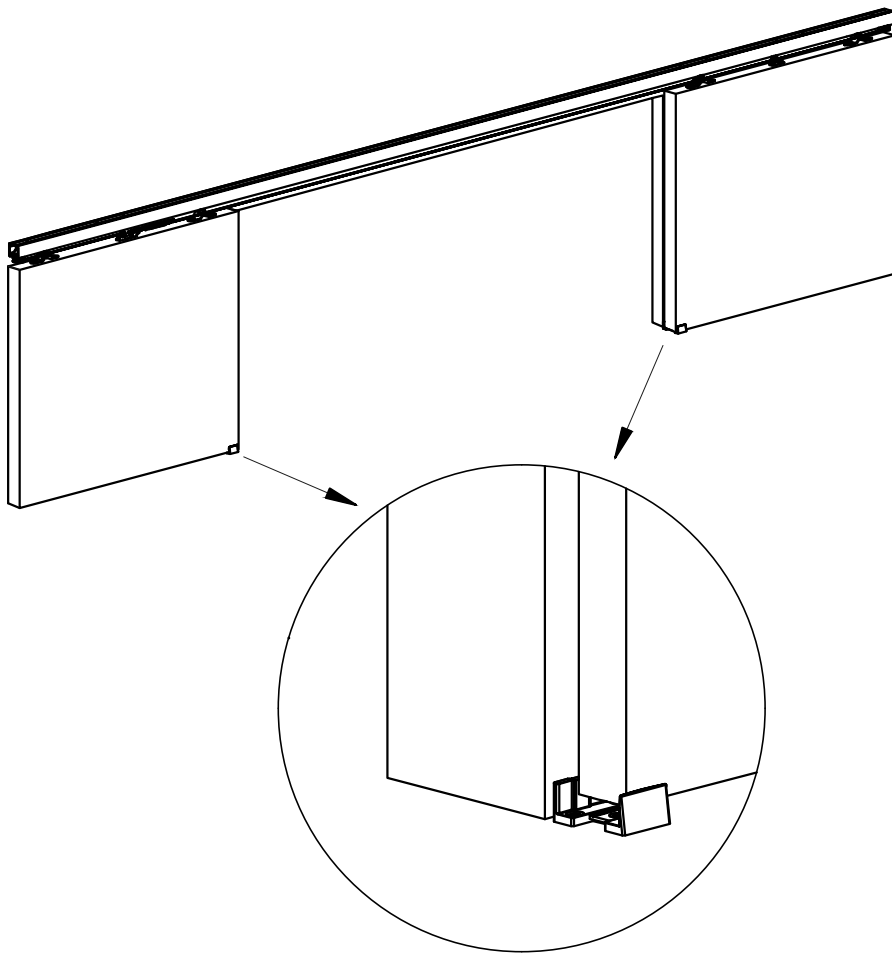
max.

max.

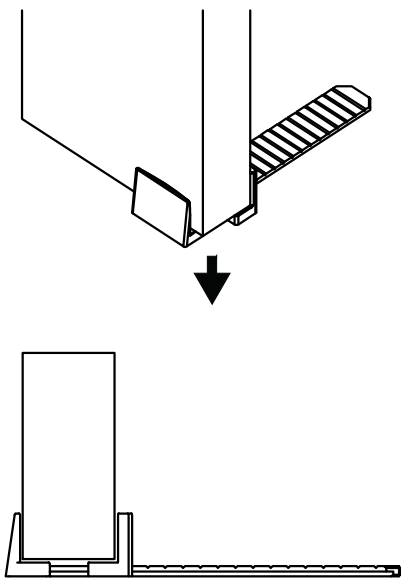




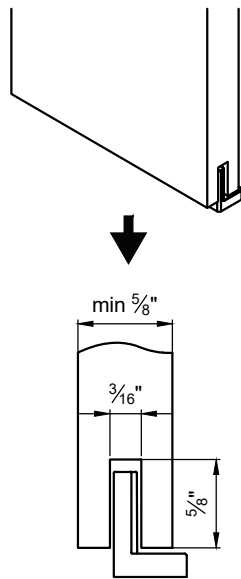
11



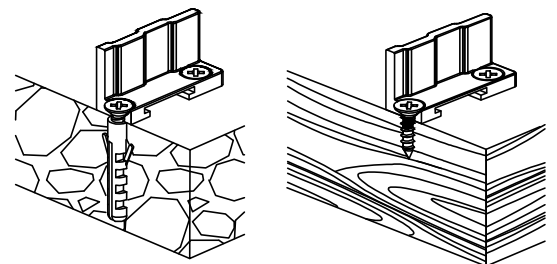
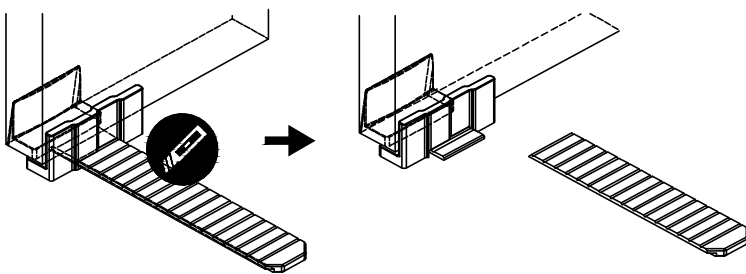
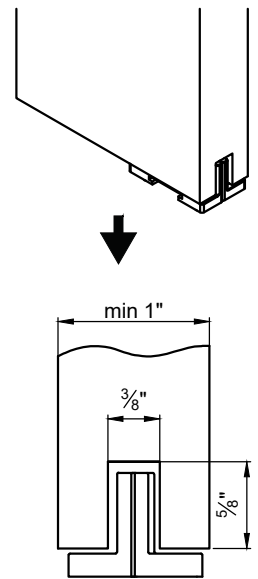
11a



11b

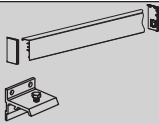
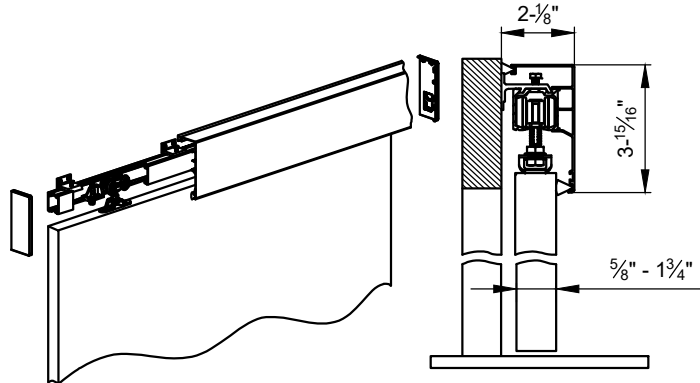



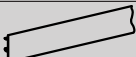
11c

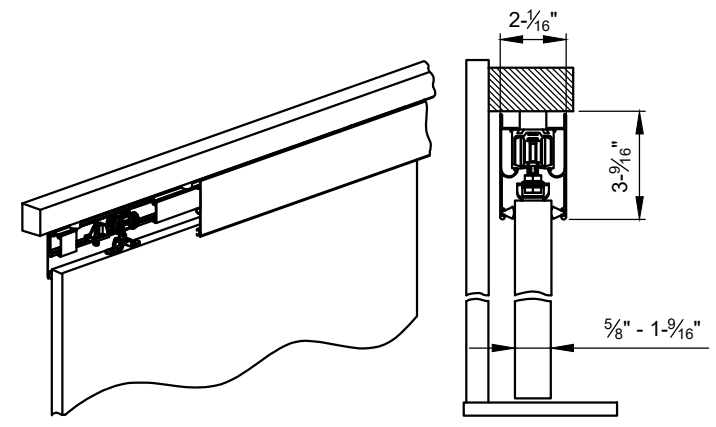



OPTIONS

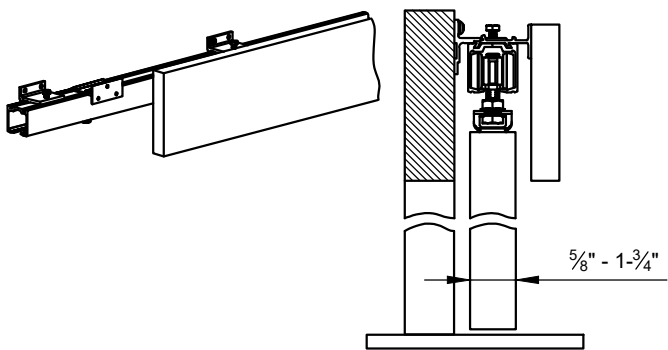
a SU5239 79- $\frac{1}{8}$ "
 SU5240 118- $\frac{1}{2}$ "
 SU5233

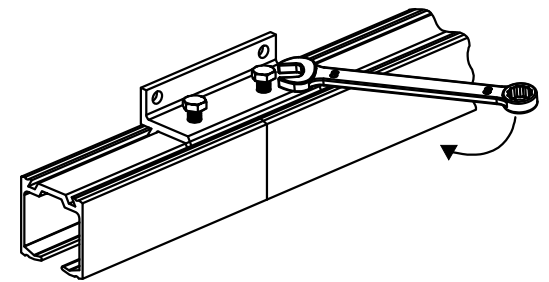
b SU5212  SU5214 - SU5231 



c SU5243 



d SU5241 



e SU5234  

