



x2



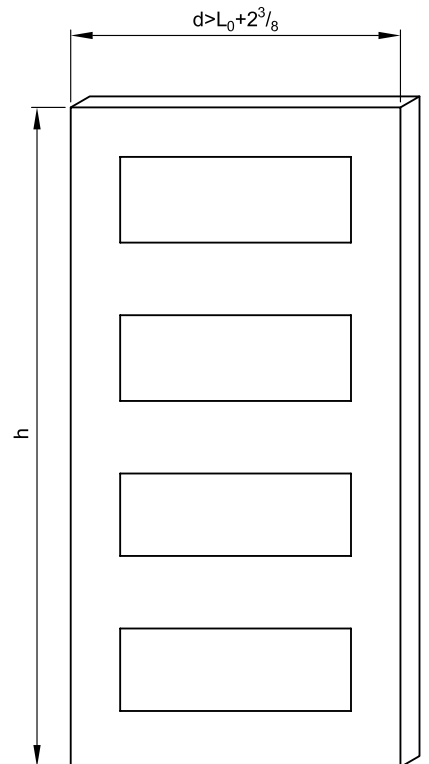
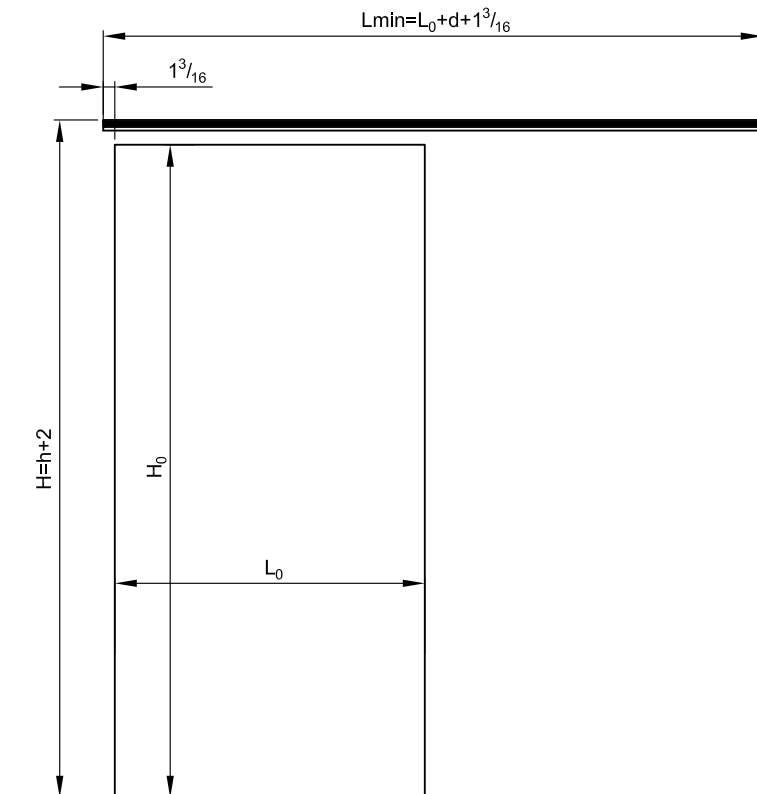
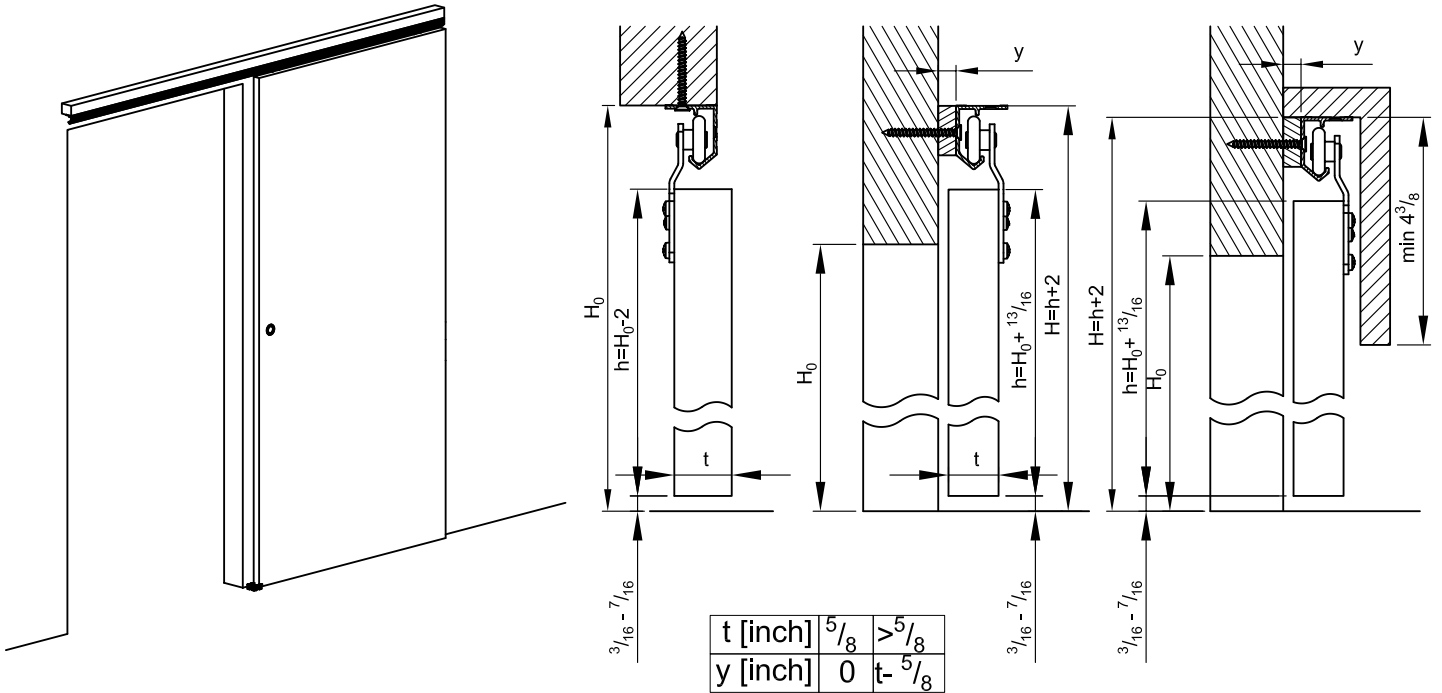
x2

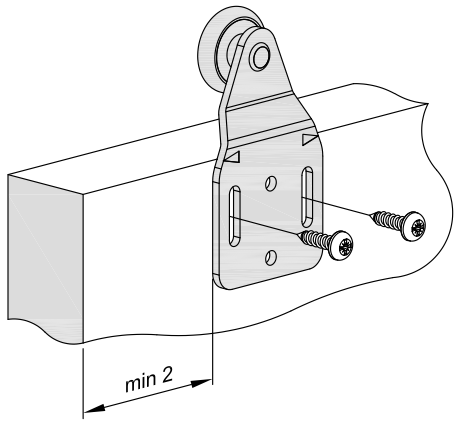


x1

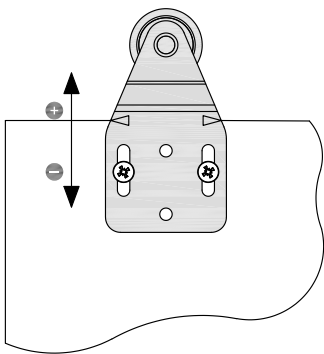
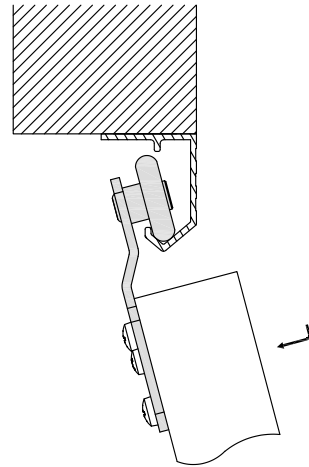


100
lb

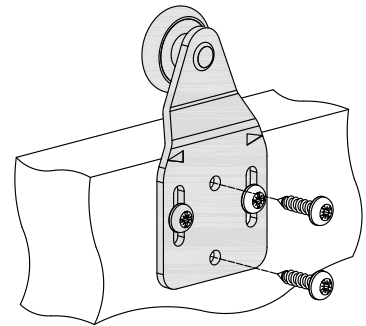
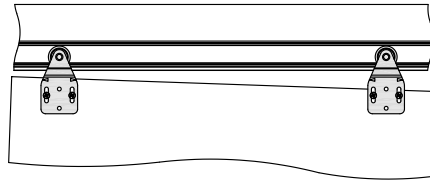




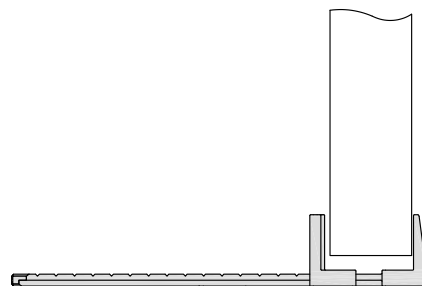
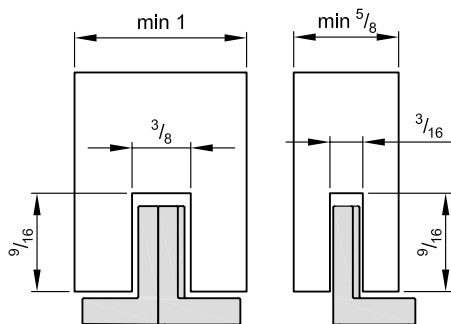
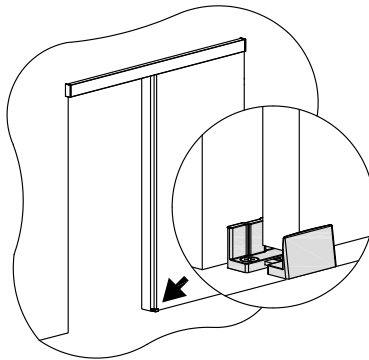
1



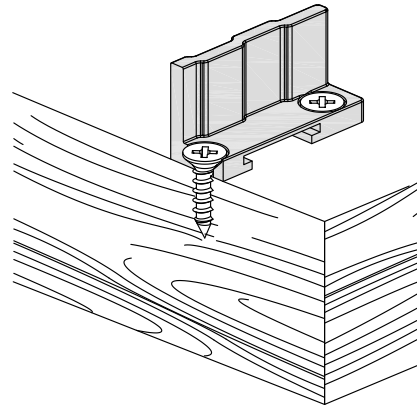
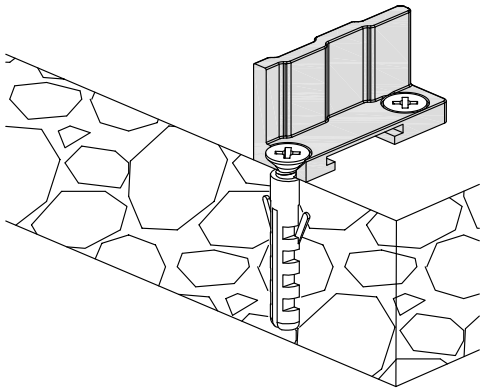
2



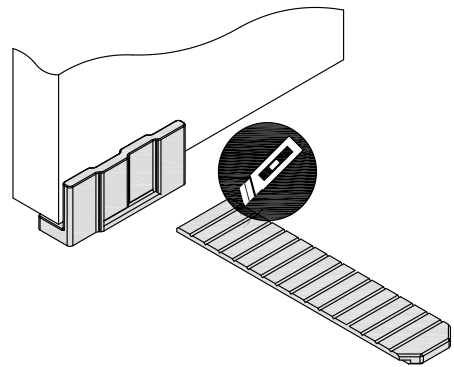
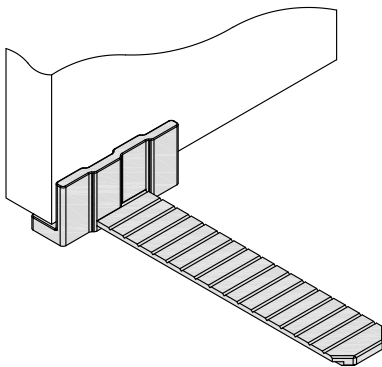
3



4



5



6

