



x2



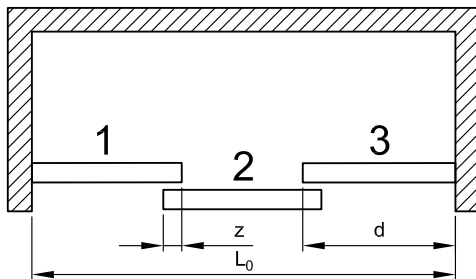
x2



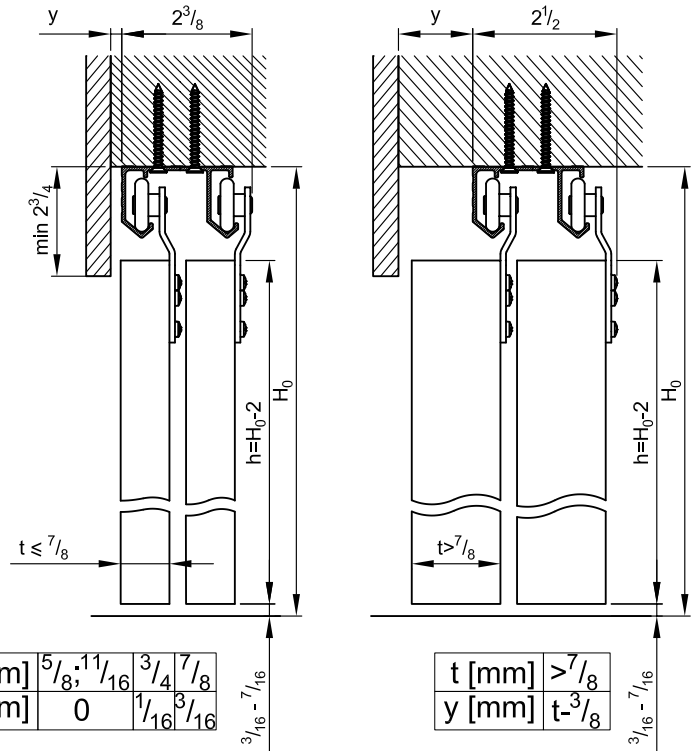
x2



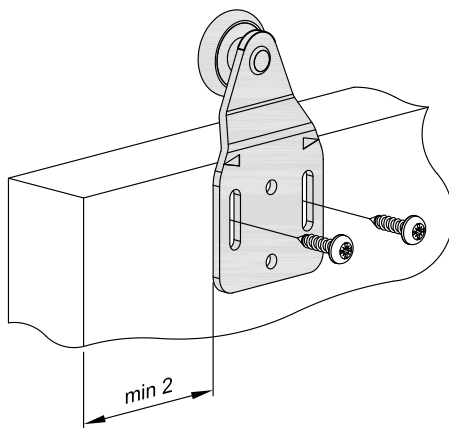
x1



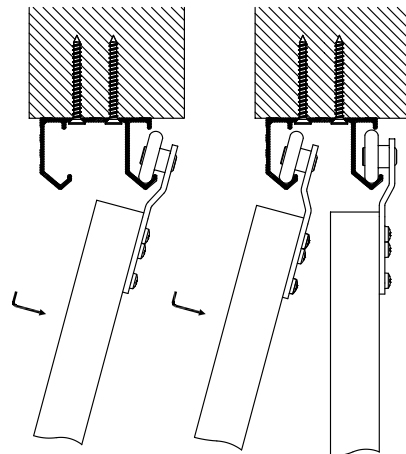
$$d = (L_0 + 2z) / 3$$

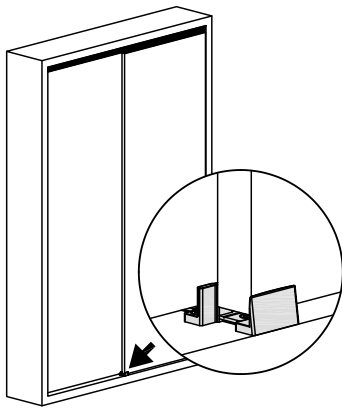
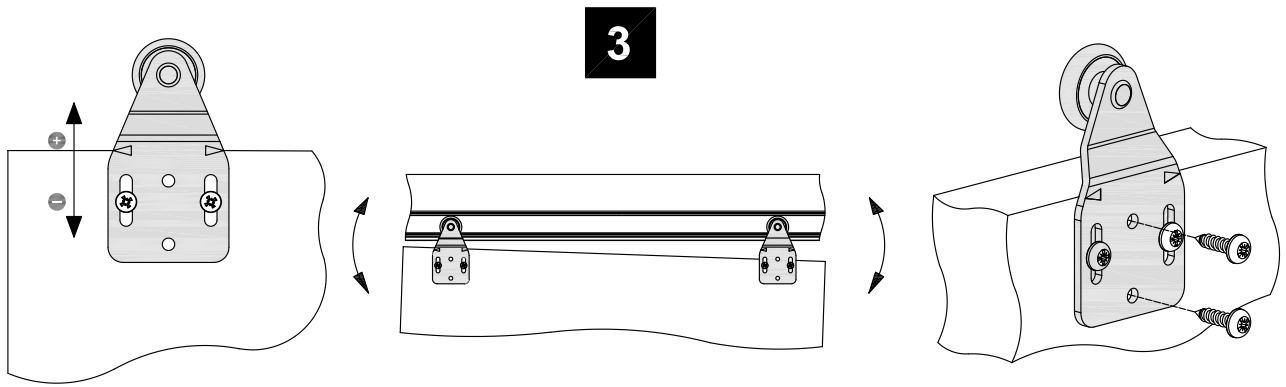


1

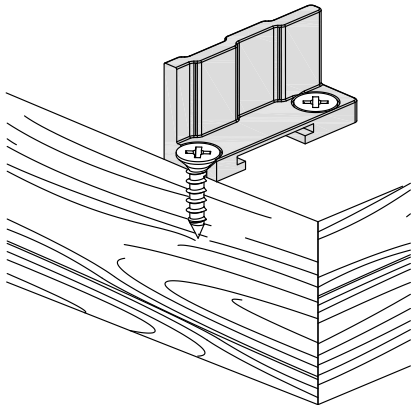
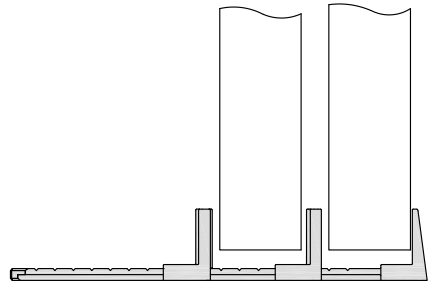


2

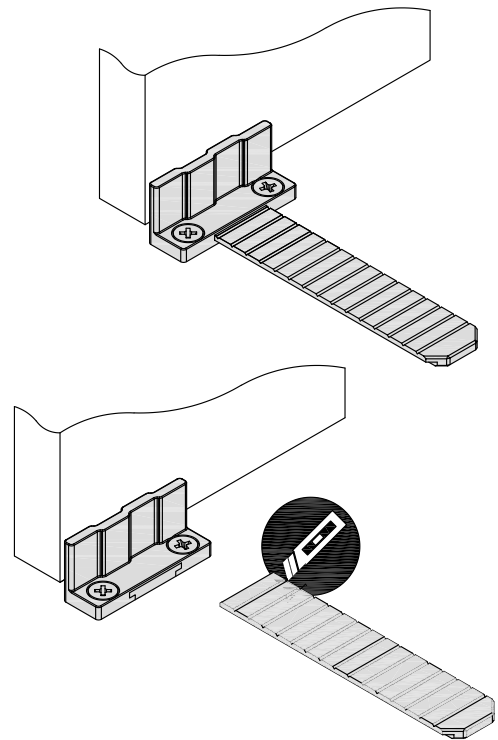




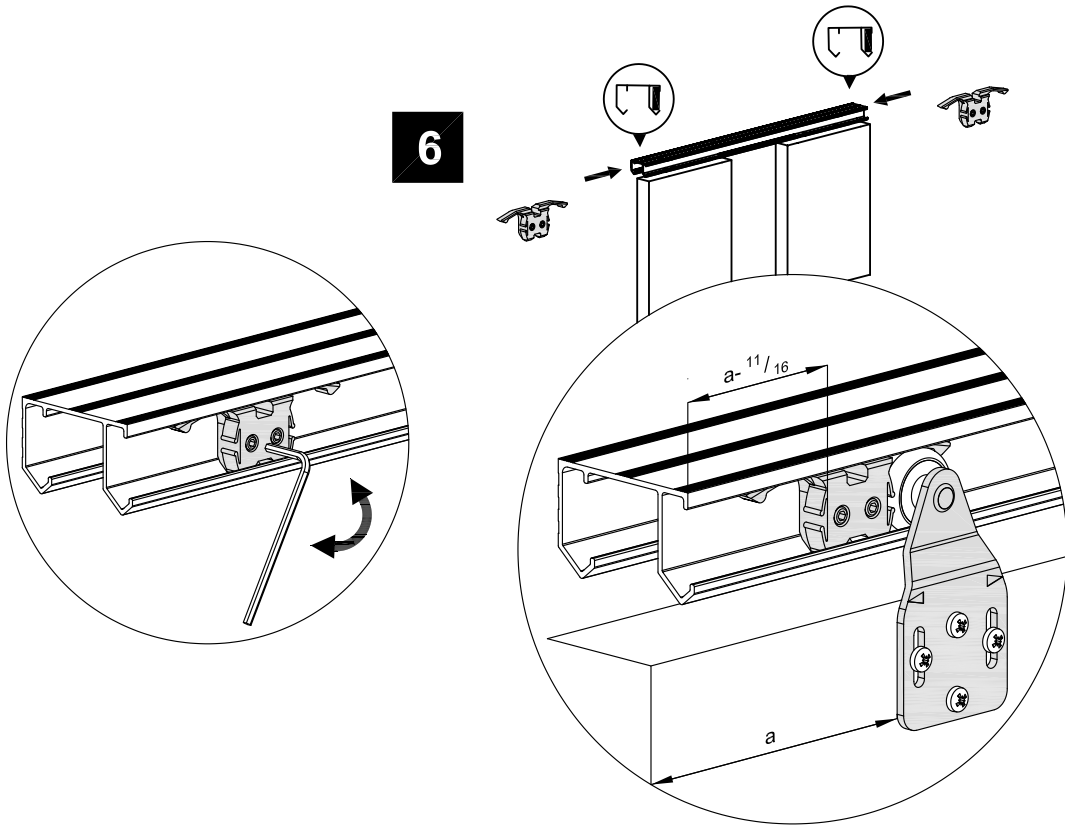
**4**



**5**



6



7

