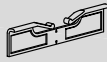




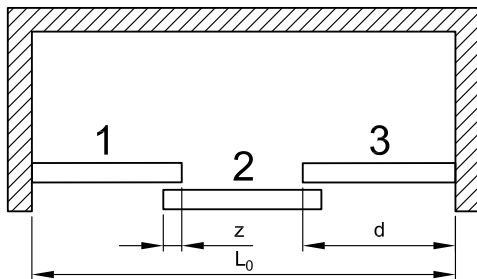
x2



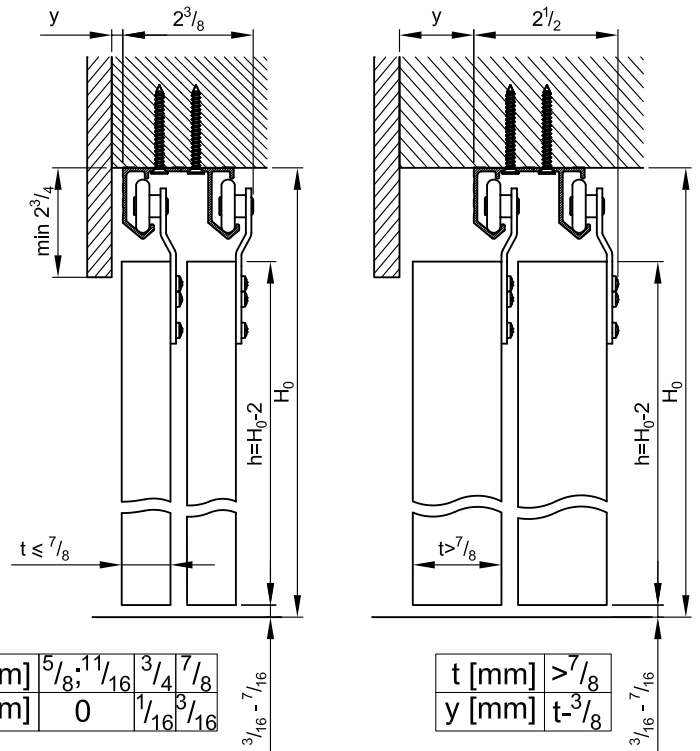
x1



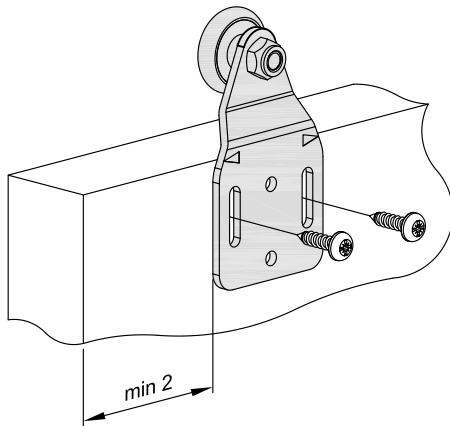
x1



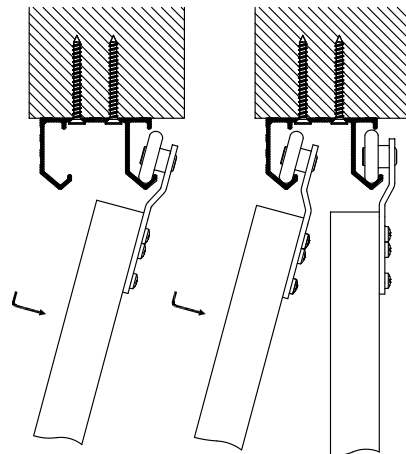
$$d = (L_0 + 2z) / 3$$



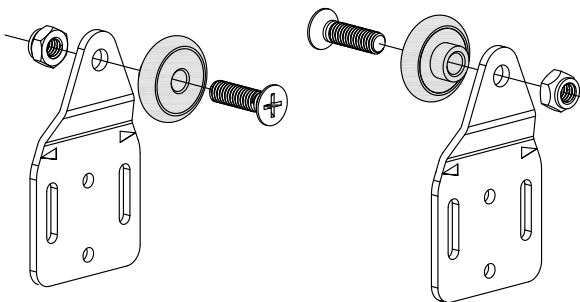
1

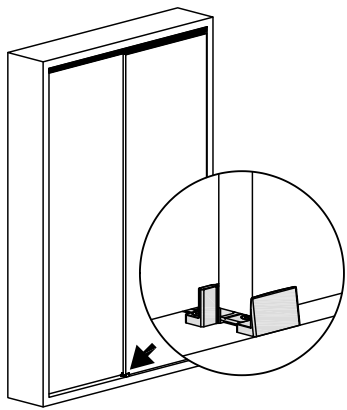
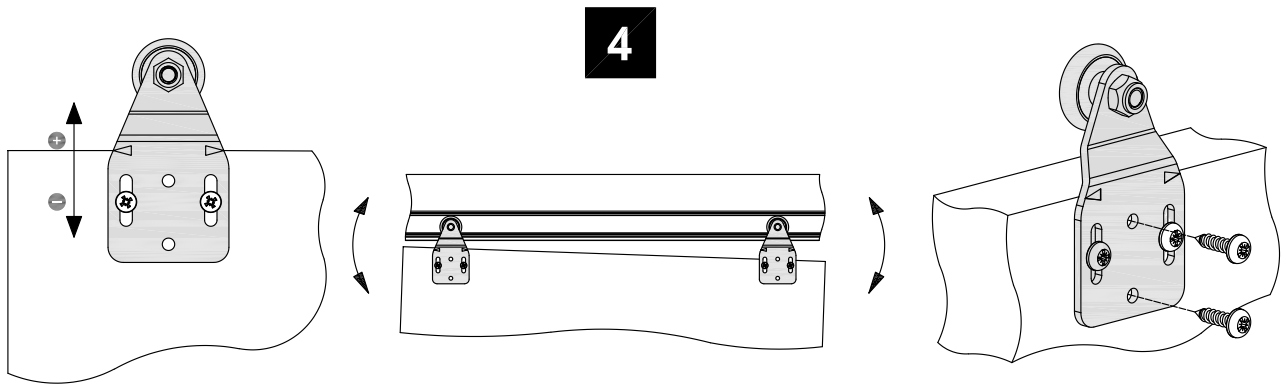


2

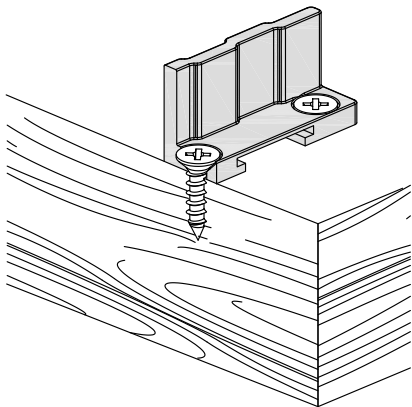
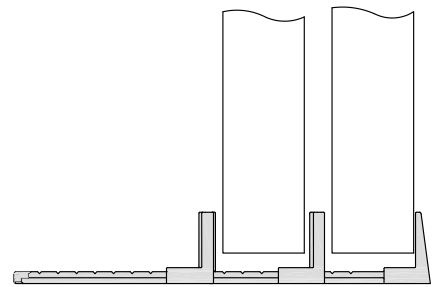


3

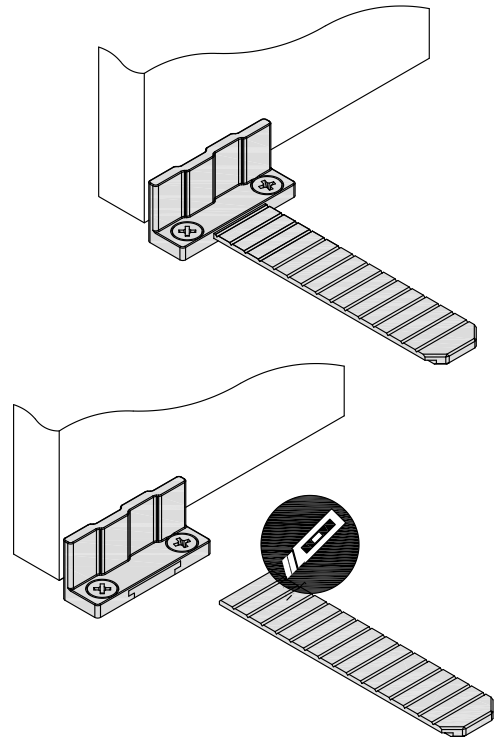




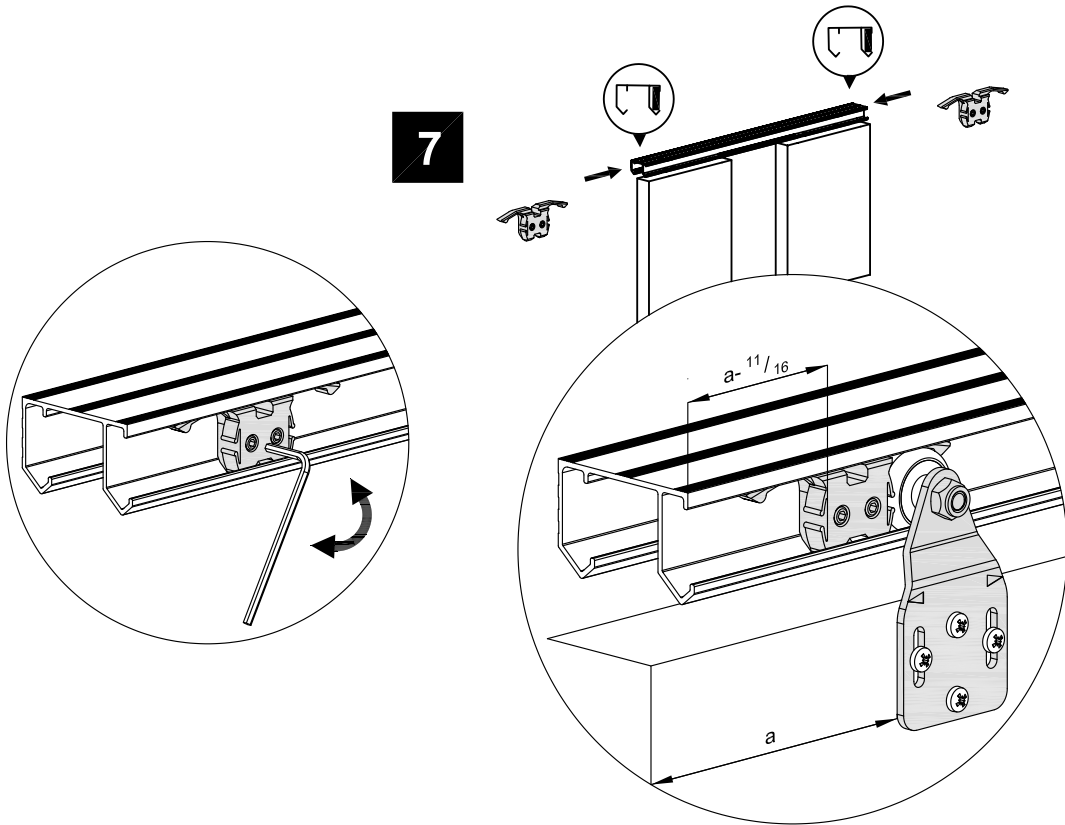
5



6



7



8

