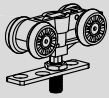


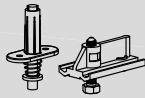
SLID'UP
by MANTION

INSTRUCTION DE MONTAGE
MONTAGEANLEITUNG
INSTRUCTIONS FOR ASSEMBLY
INSTRUCCIONES DE MONTAJE
INSTRUKCJA MONTAŻU

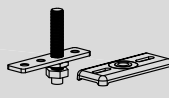
SLID'UP 140
SU5122



x1



x1



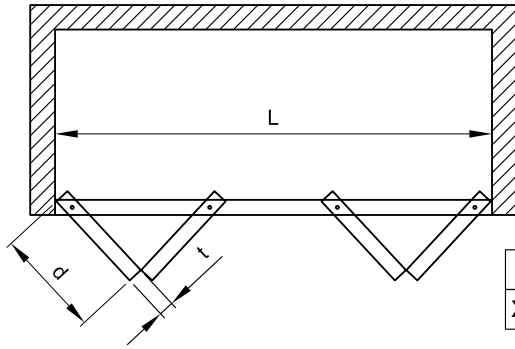
x1



x3

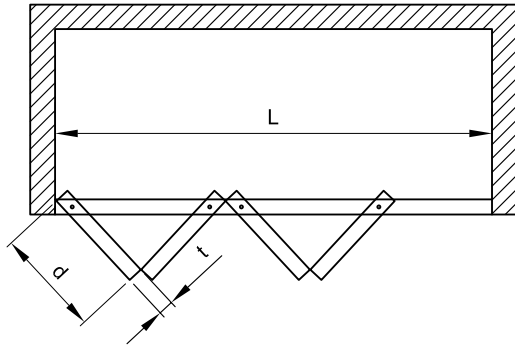


55
lb

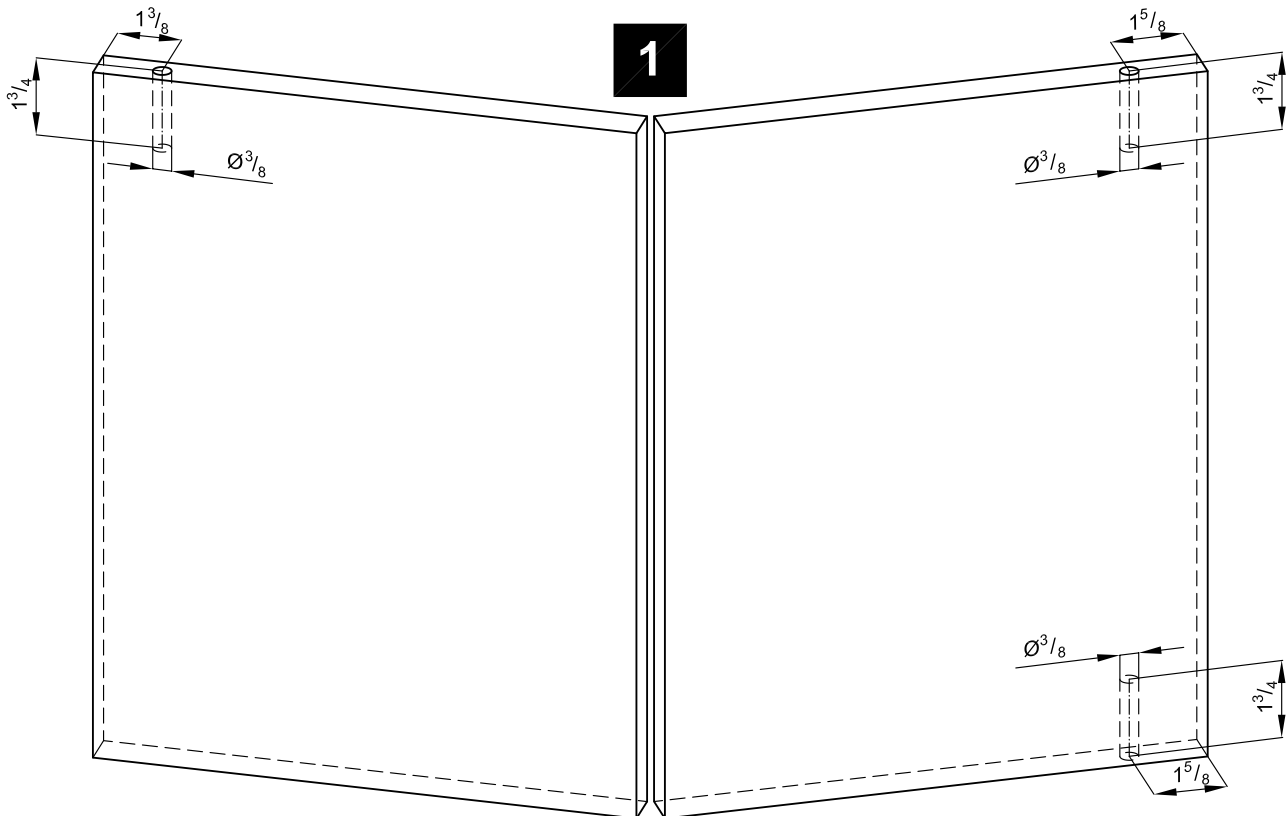
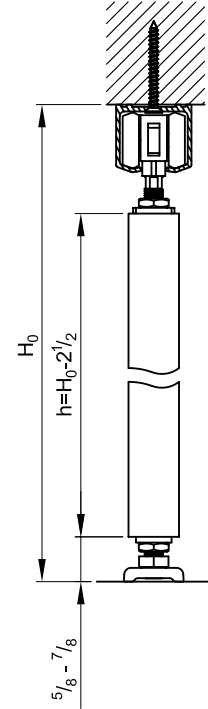


$$d = (L - 2x - \frac{5}{16}) / 4$$

| | | | |
|----------|--------------------------|--------------------|------------------------------|
| t [inch] | $\frac{7}{8}$ | $\frac{7}{8}, 1''$ | $1\frac{1}{8}, 1\frac{1}{4}$ |
| x [inch] | 0 | $\frac{1}{8}$ | $\frac{3}{16}$ |

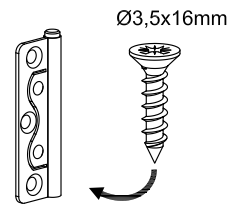
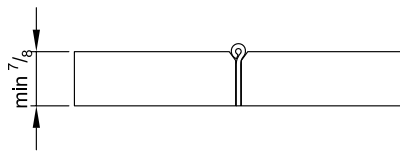
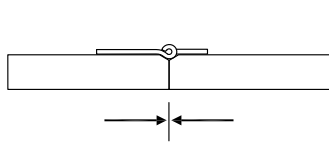


$$d = (L - x - \frac{5}{16}) / 4$$



1

2



3

