



SLID'UP
BY MANTION

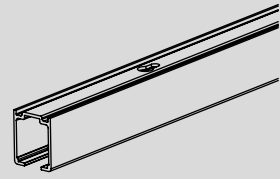
INSTRUCTIONS DE MONTAGE
ASSEMBLY INSTRUCTIONS

SU2200

Epaisseur de porte / Door thickness: 1-3/8" & 1-3/4"

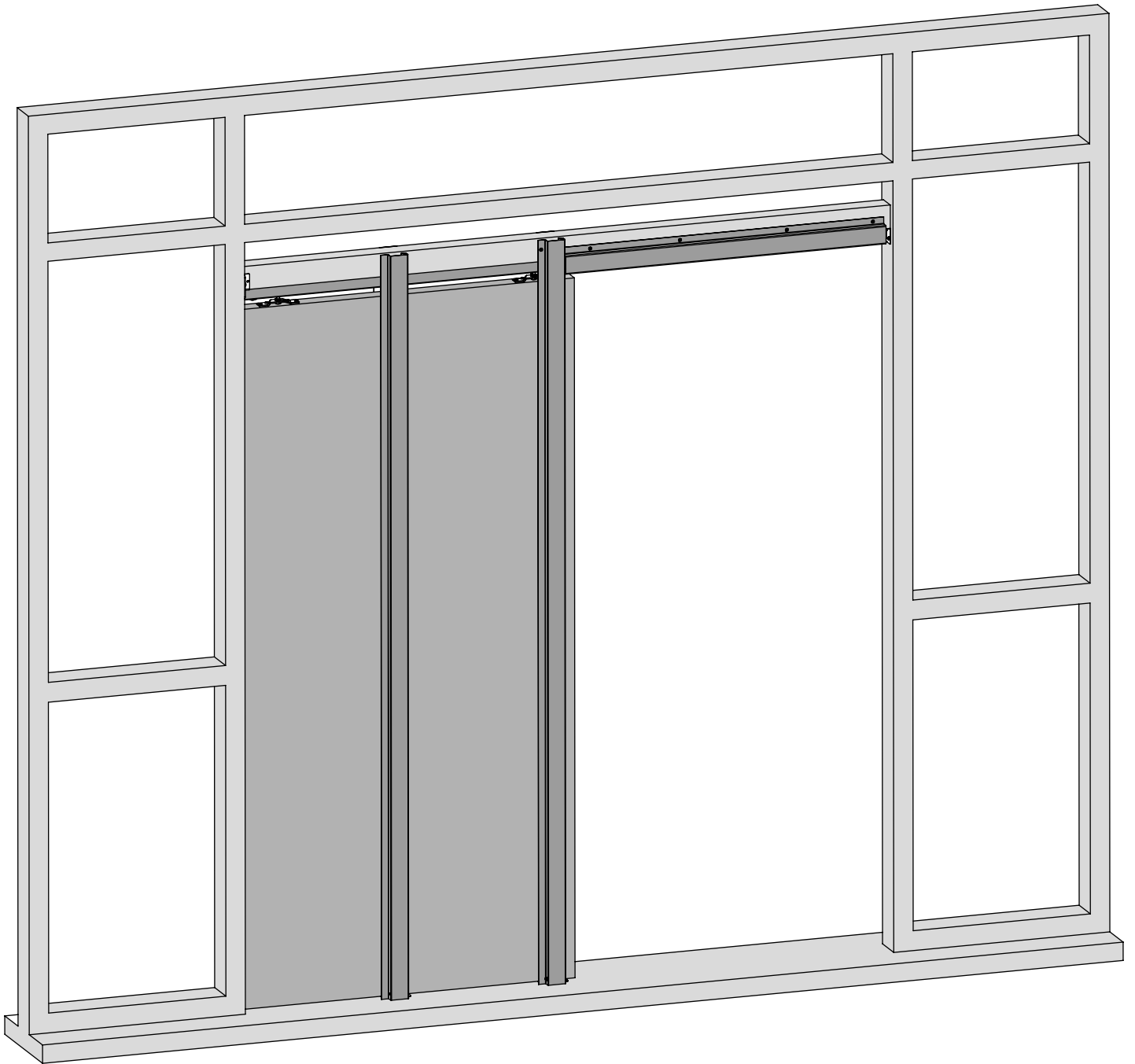
Largeur de porte / Door width: 30, 32, 34, 36 & 38"

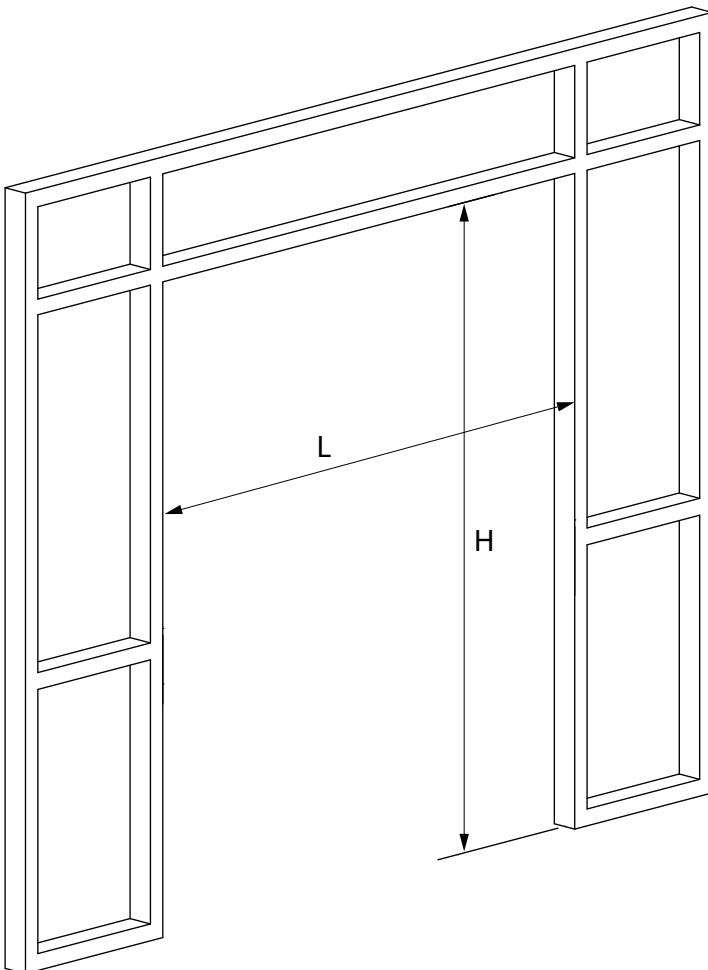
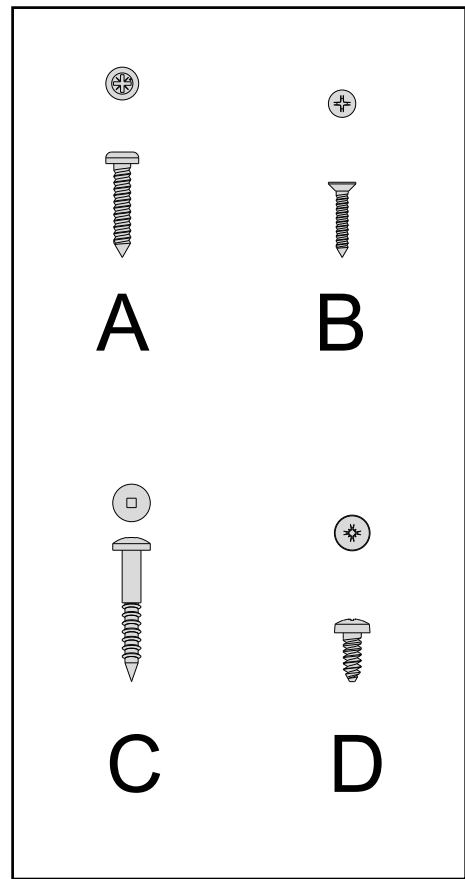
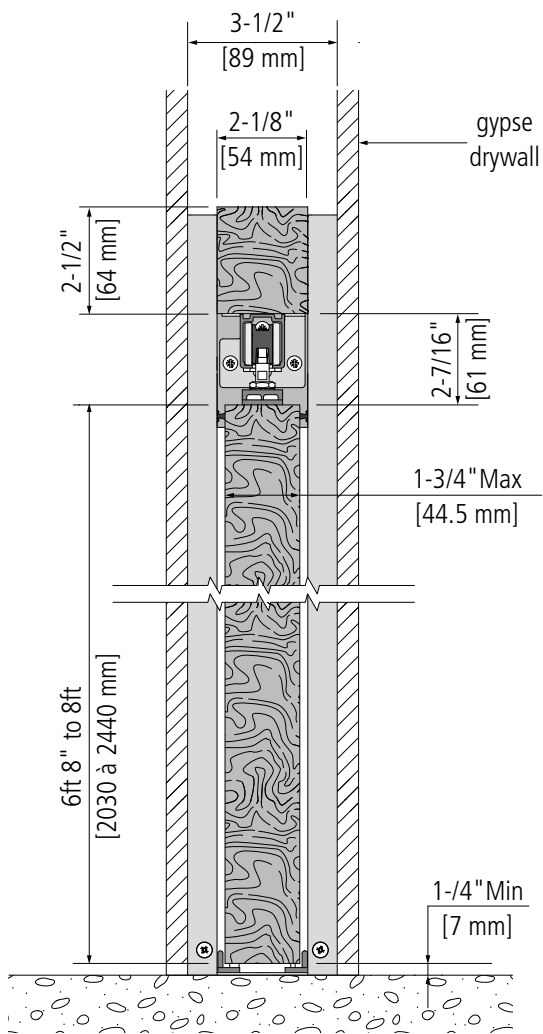
Hauteur de porte / Door height: 6ft 8" to 8ft



Rail démontable
Removable track

**100
lbs**



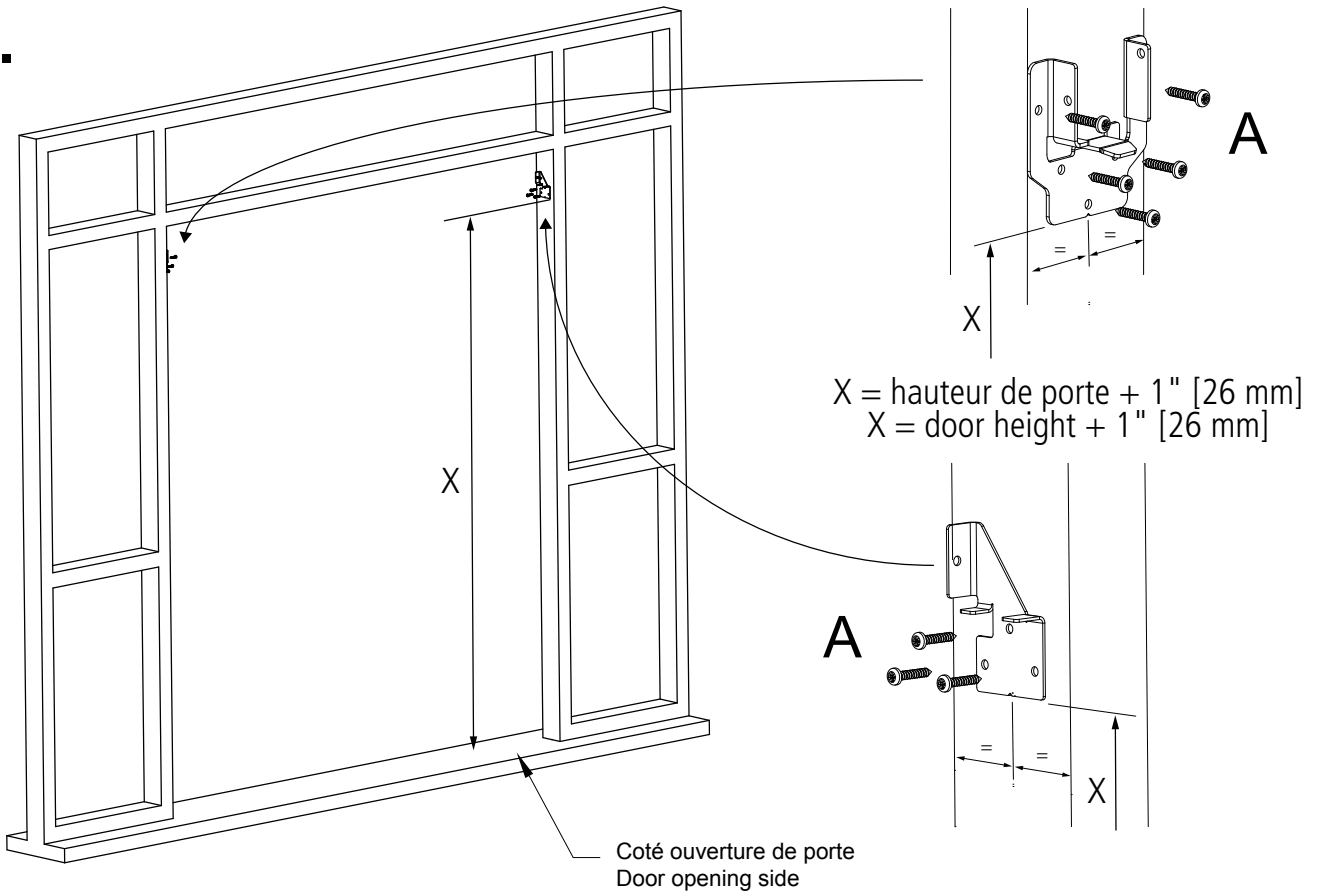


H = Hauteur de la porte + 6-1/4" [160 mm]
H = Height of the door + 6-1/4" [160 mm]

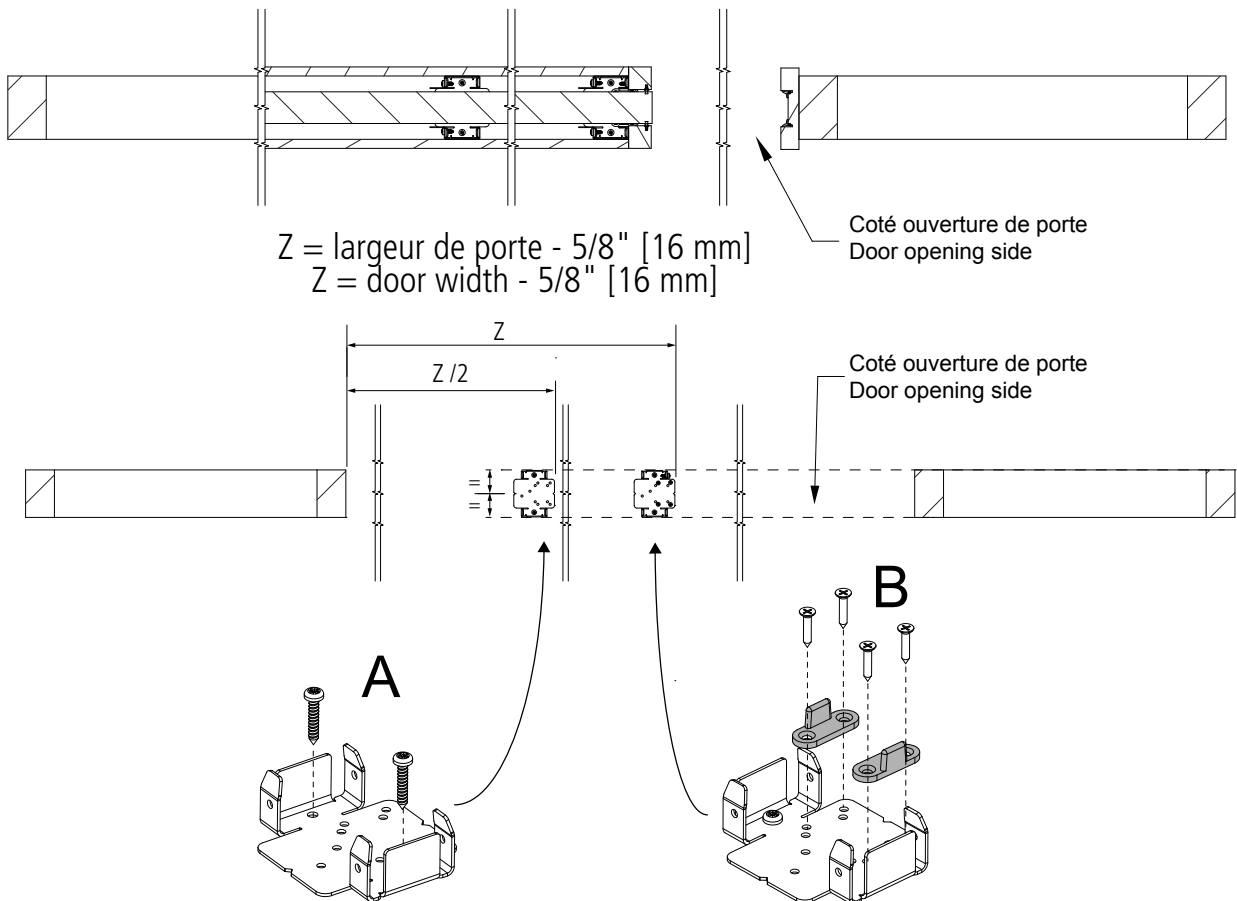
Porte Door	L	
	in	mm
30"	58"	1473
32"	62"	1575
34"	66"	1677
36"	70"	1778
38"	74"	1880



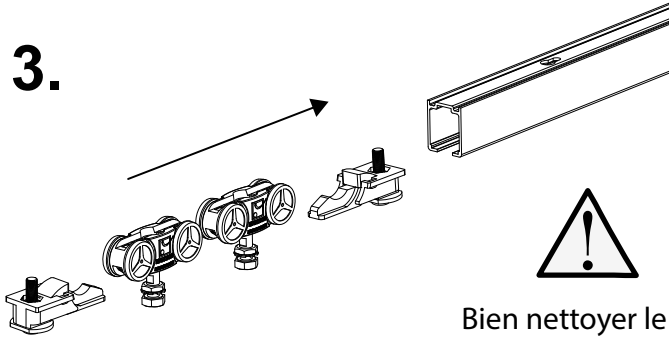
1.



2.

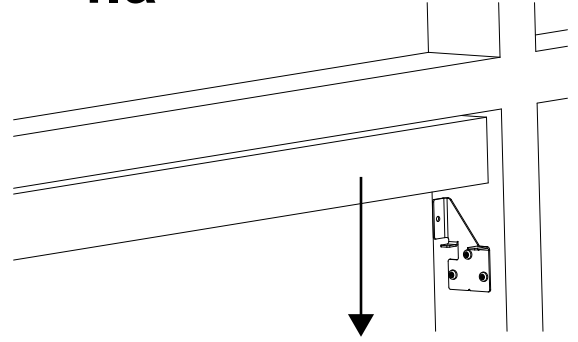


3.

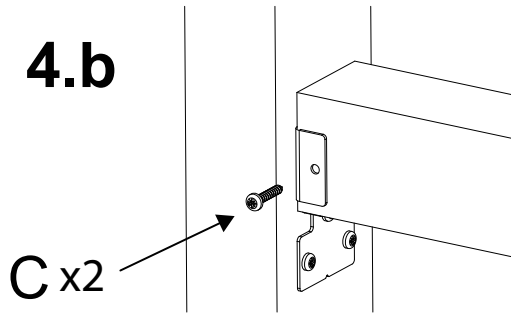


Bien nettoyer le rail
Carefully clean the track

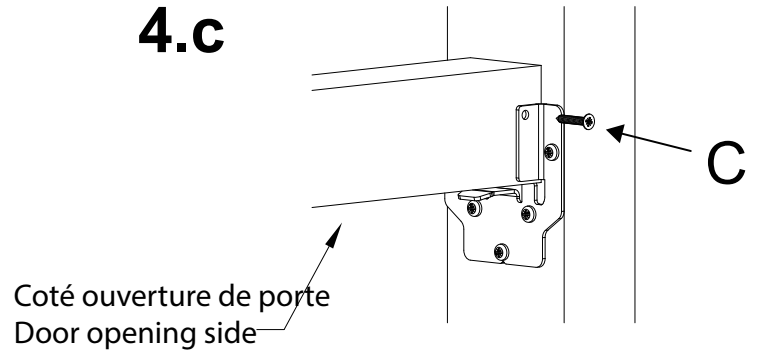
4.a



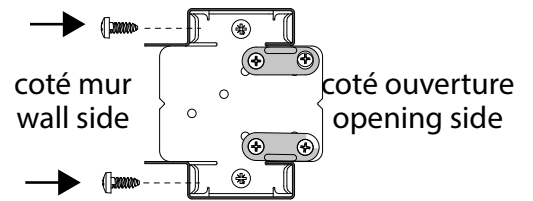
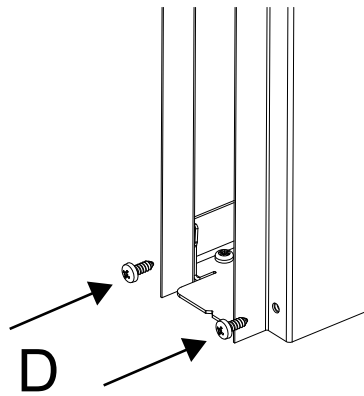
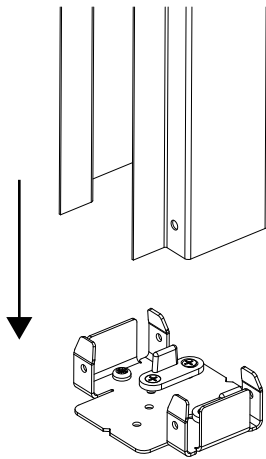
4.b



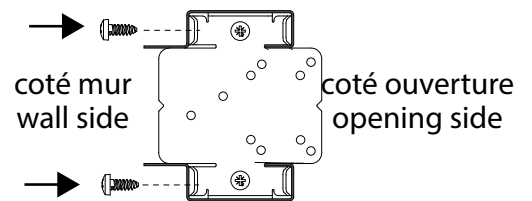
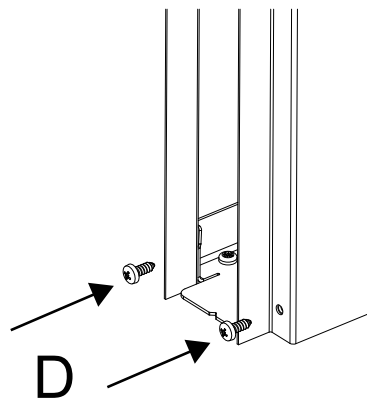
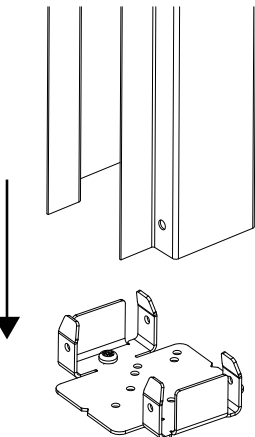
4.c



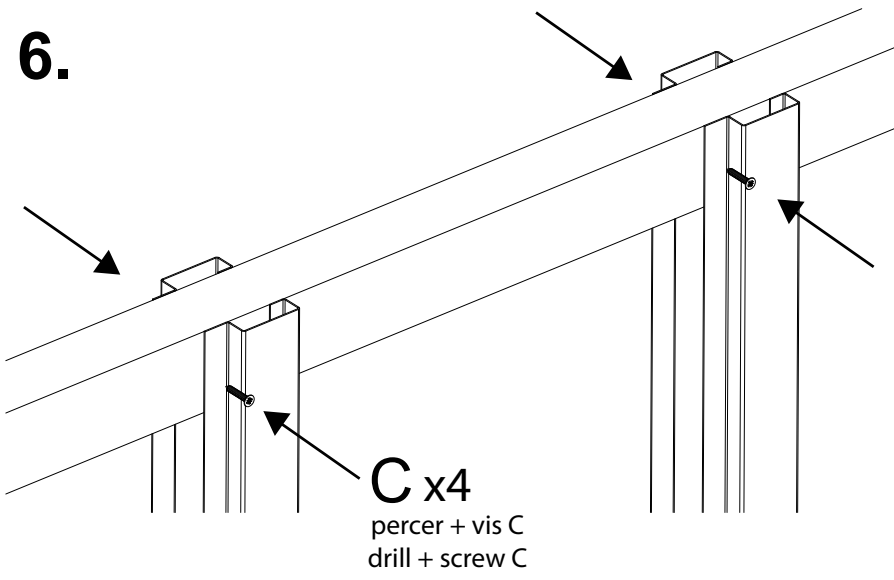
5.a



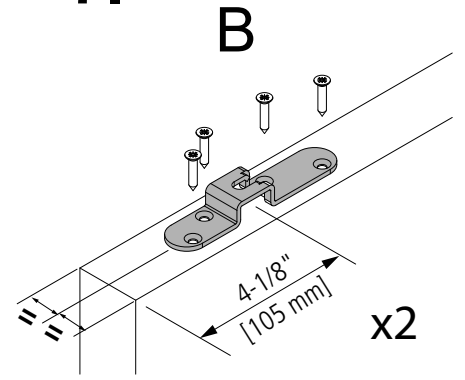
5.b



6.

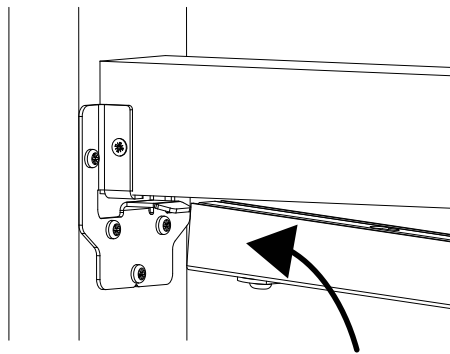


7.

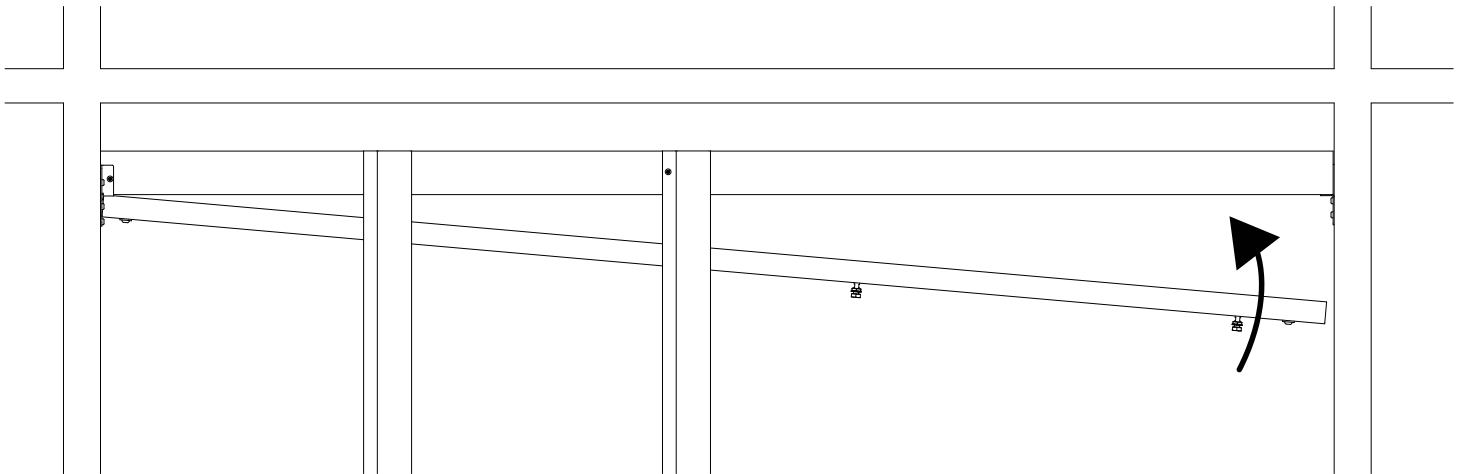


8.

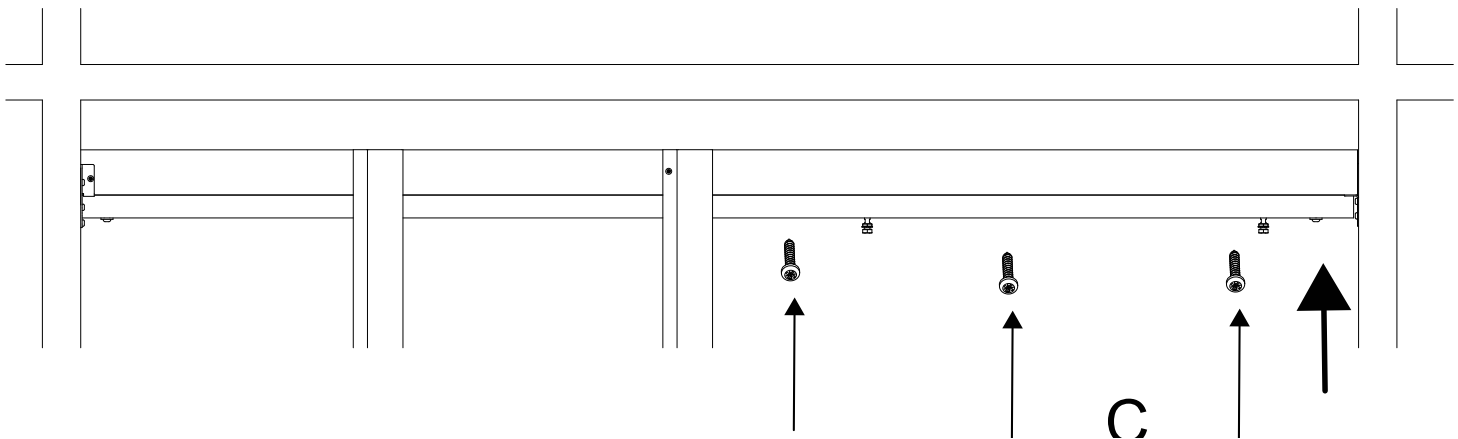
a)



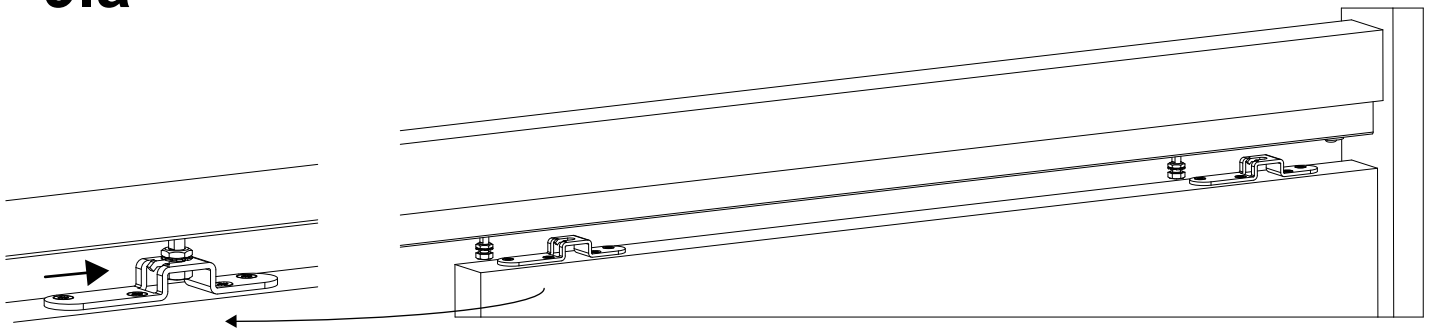
b)



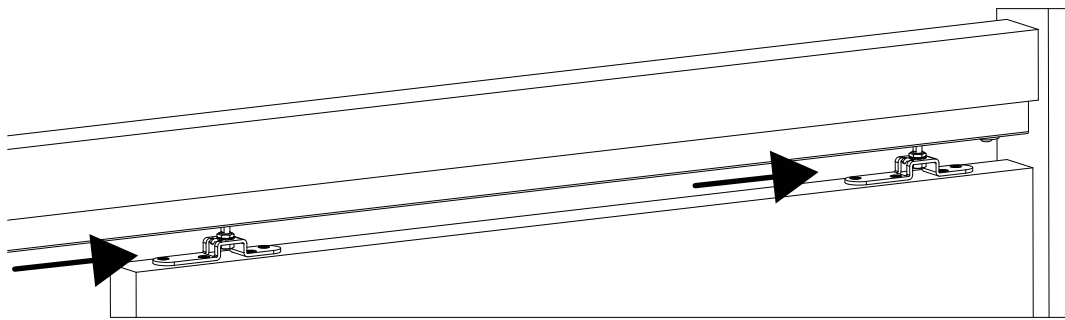
c)



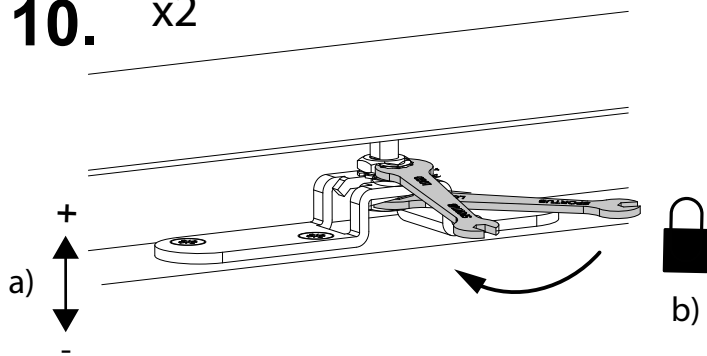
9.a



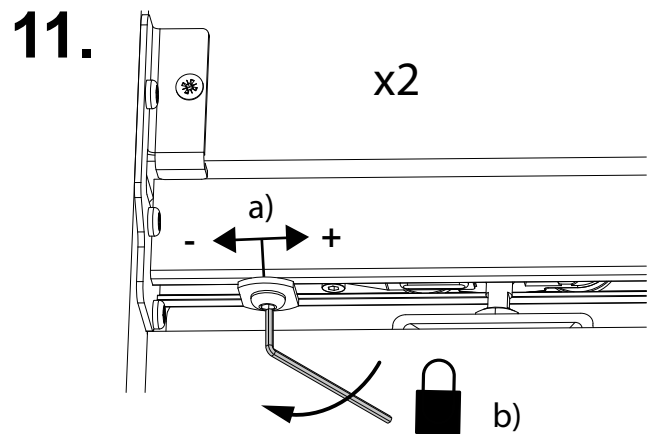
9.b



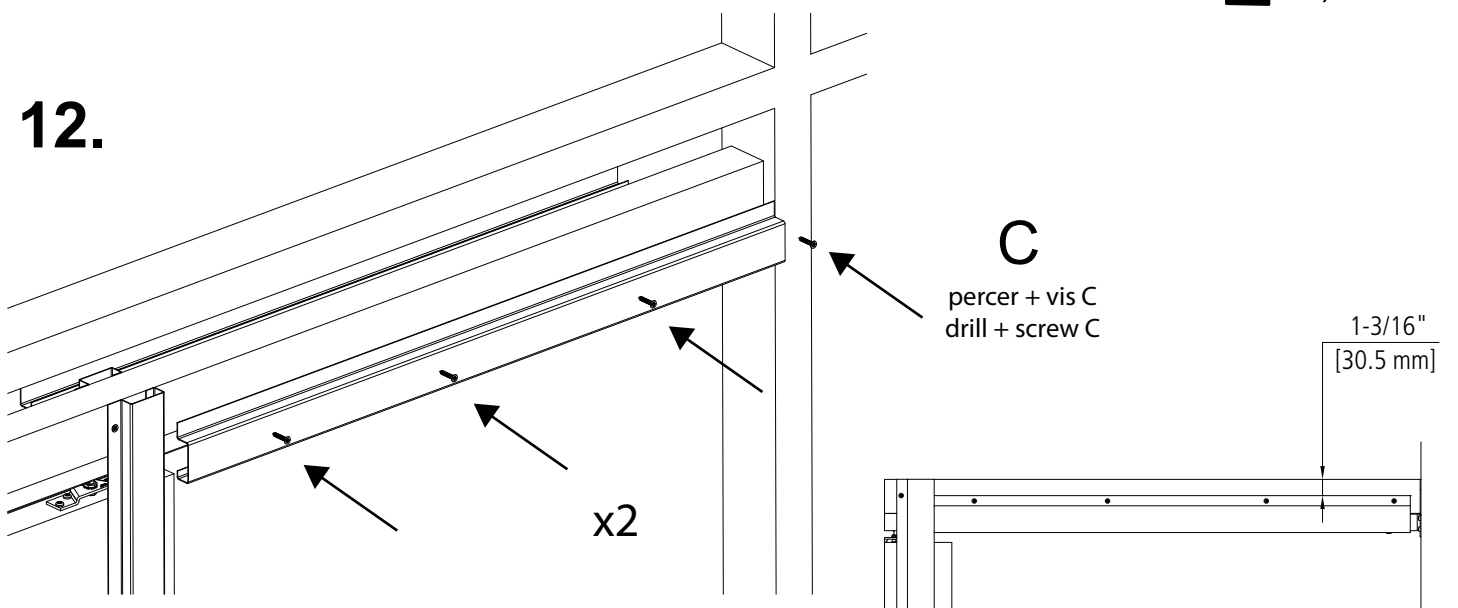
10. x2



11.

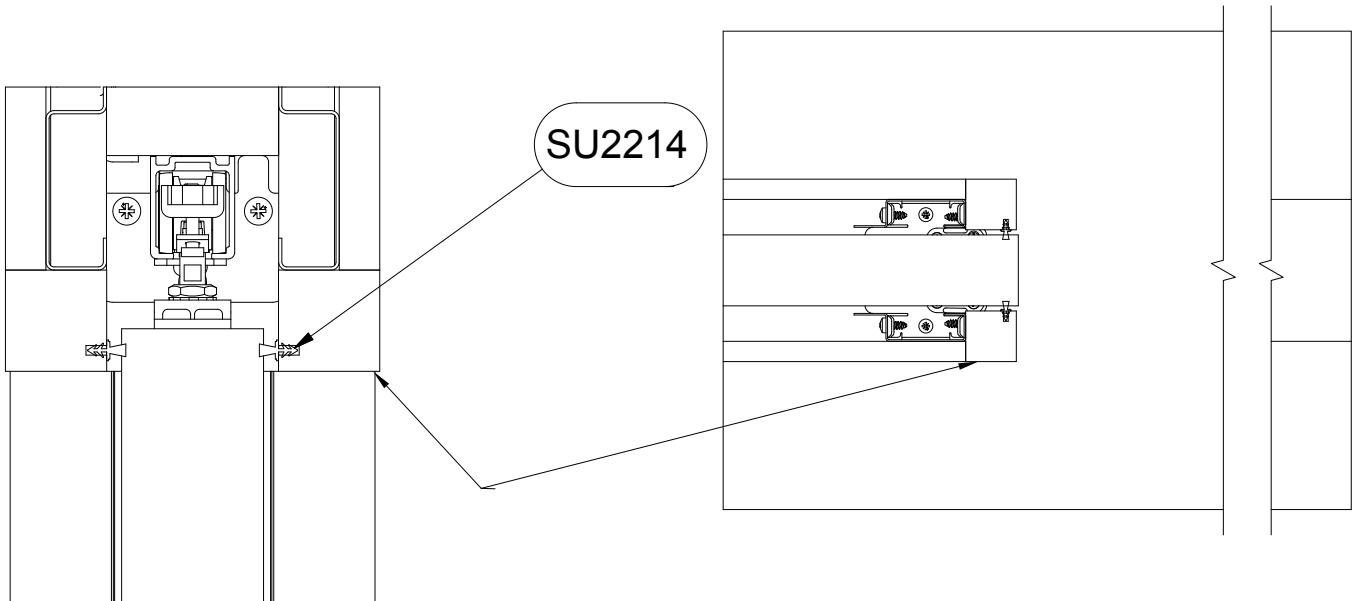


12.



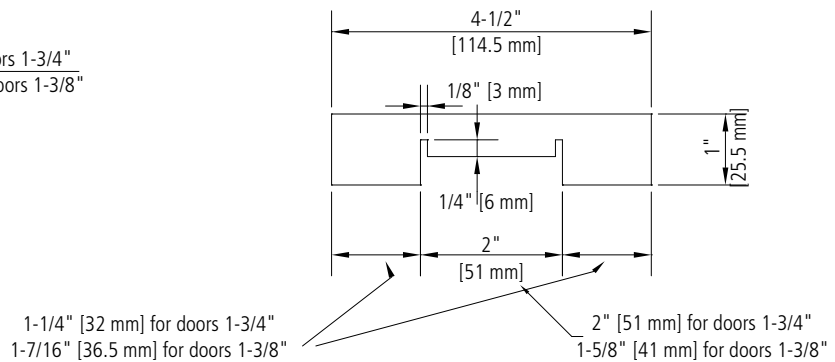
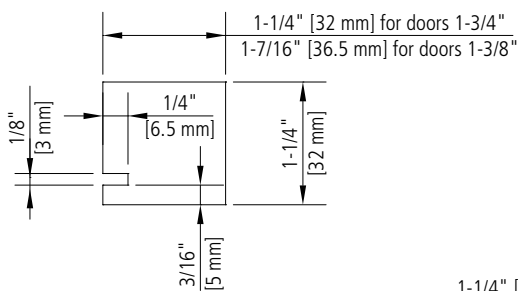
SUGGESTION pour l'encadrement de la baie

SUGGESTION for the finish of the opening



Suggestion of inside trim
Suggestion of inside trim

Suggestion de tapée avec joint SU2214
Suggestion of strike finishing
jamb with SU2214 seal



1-1/4" [32 mm] for doors 1-3/4"
1-7/16" [36.5 mm] for doors 1-3/8"

2" [51 mm] for doors 1-3/4"
1-5/8" [41 mm] for doors 1-3/8"

