

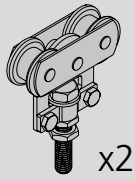


**SLID'UP**  
by MANTION

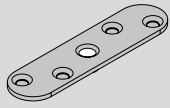
INSTRUCTION DE MONTAGE  
MONTAGEANLEITUNG  
INSTRUCTIONS FOR ASSEMBLY  
INSTRUCCIONES DE MONTAJE  
INSTRUKCJA MONTA U

**SLID'UP 1700**

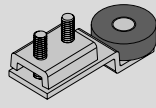
**SU 1705**



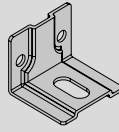
x2



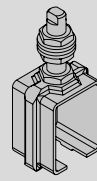
x2



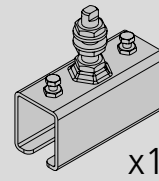
x2



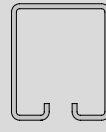
x7



x6



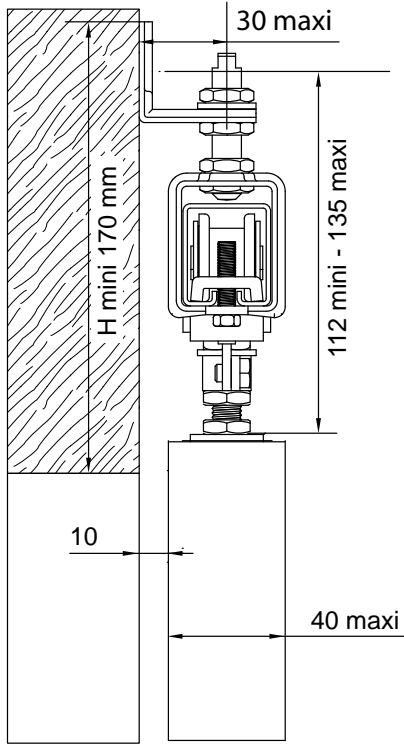
x1



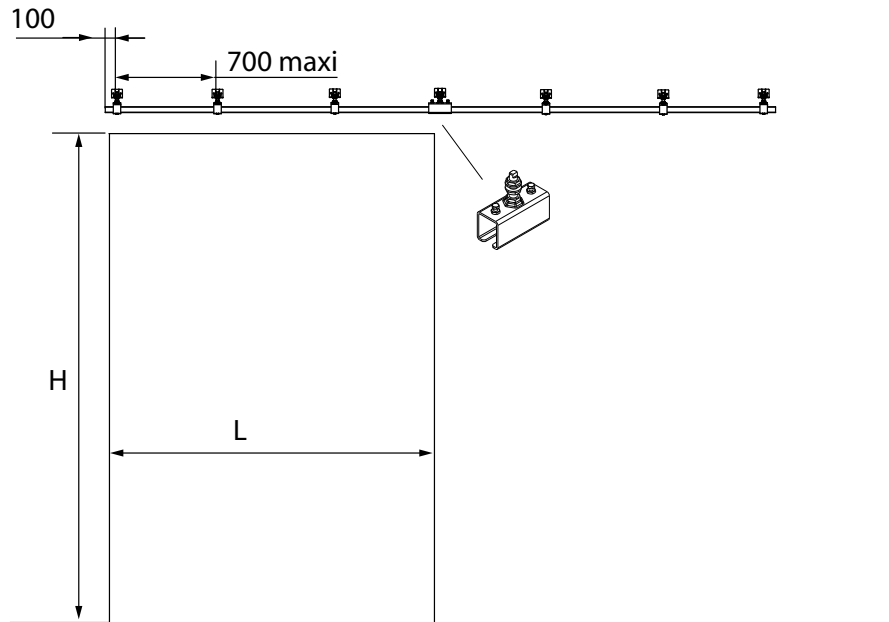
x2



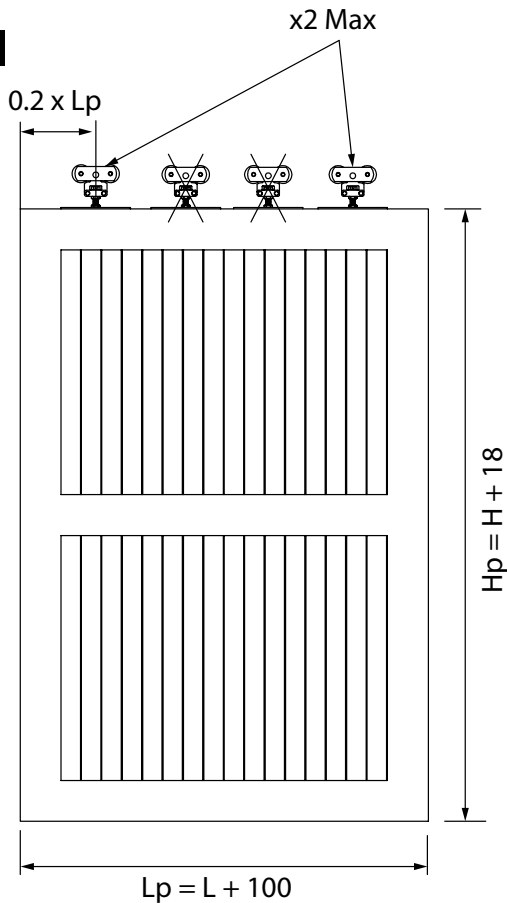
**80  
KG**



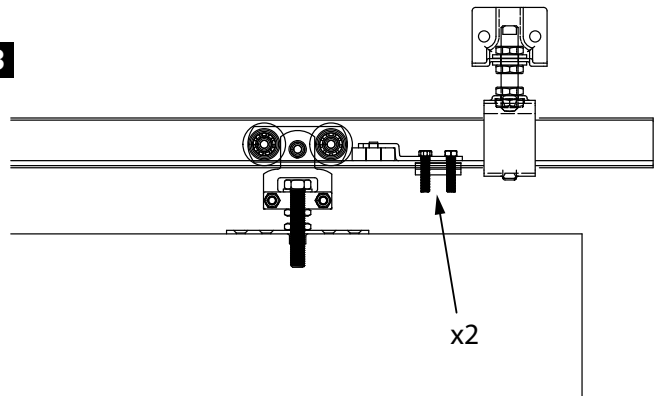
**1**



**2**

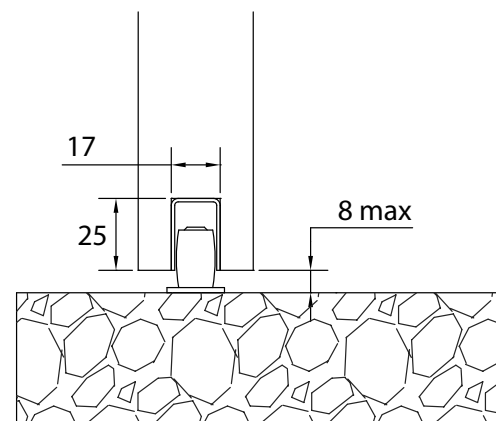
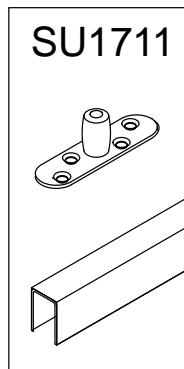


**3**



**4**

OPTION :

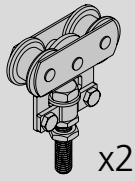




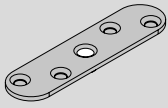
**SLID'UP**  
by MANTION

INSTRUCTION DE MONTAGE  
MONTAGEANLEITUNG  
INSTRUCTIONS FOR ASSEMBLY  
INSTRUCCIONES DE MONTAJE  
INSTRUKCJA MONTA U

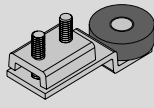
**SLID'UP 1700**  
**SU 1705**



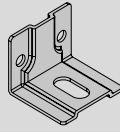
x2



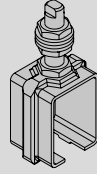
x2



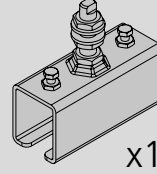
x2



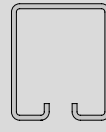
x7



x6



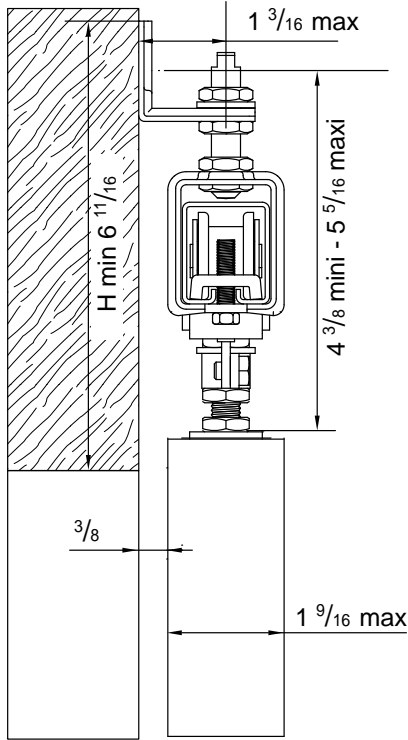
x1



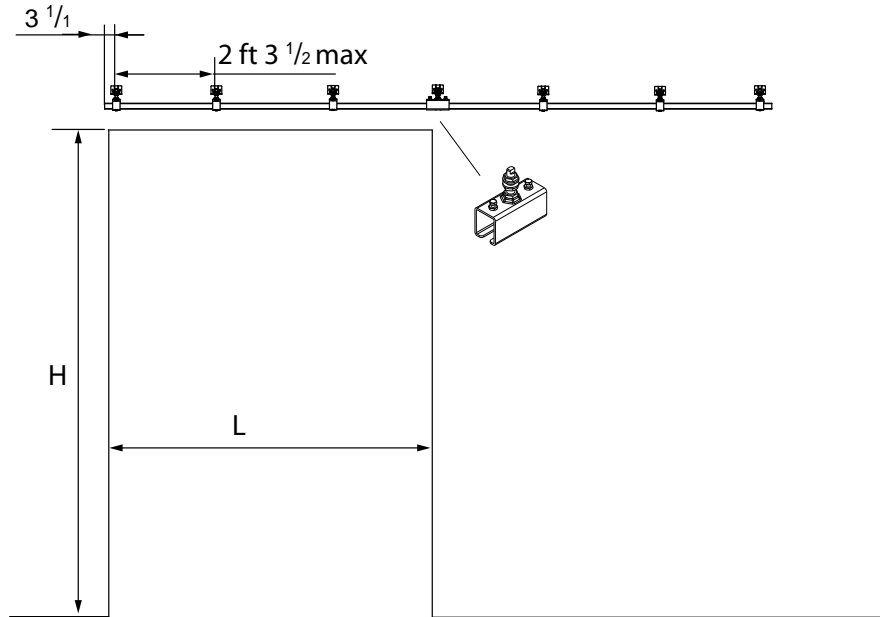
x2



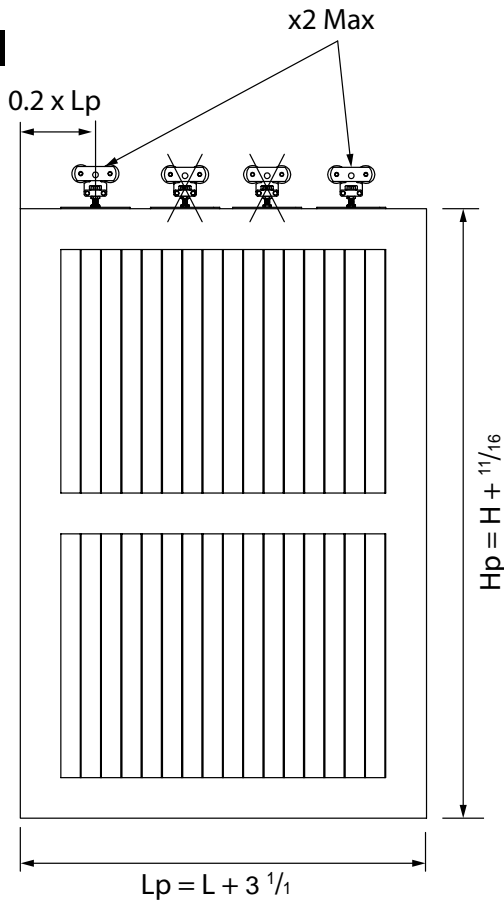
**170**  
**lbs**



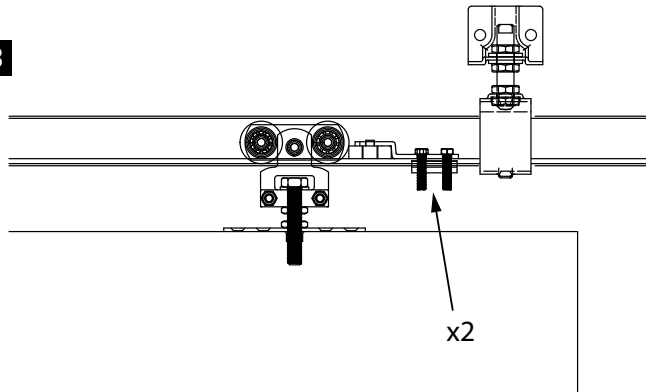
**1**



**2**



**3**



**4**

OPTION :

SU1711

