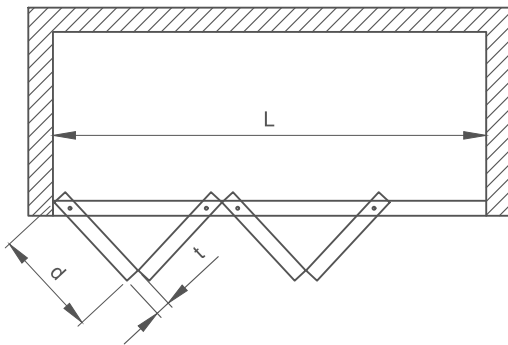
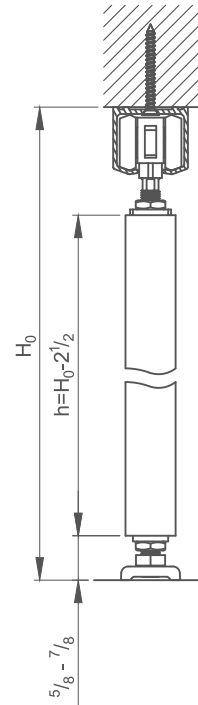


$$d = (L - 2x - \frac{5}{16}) / 4$$

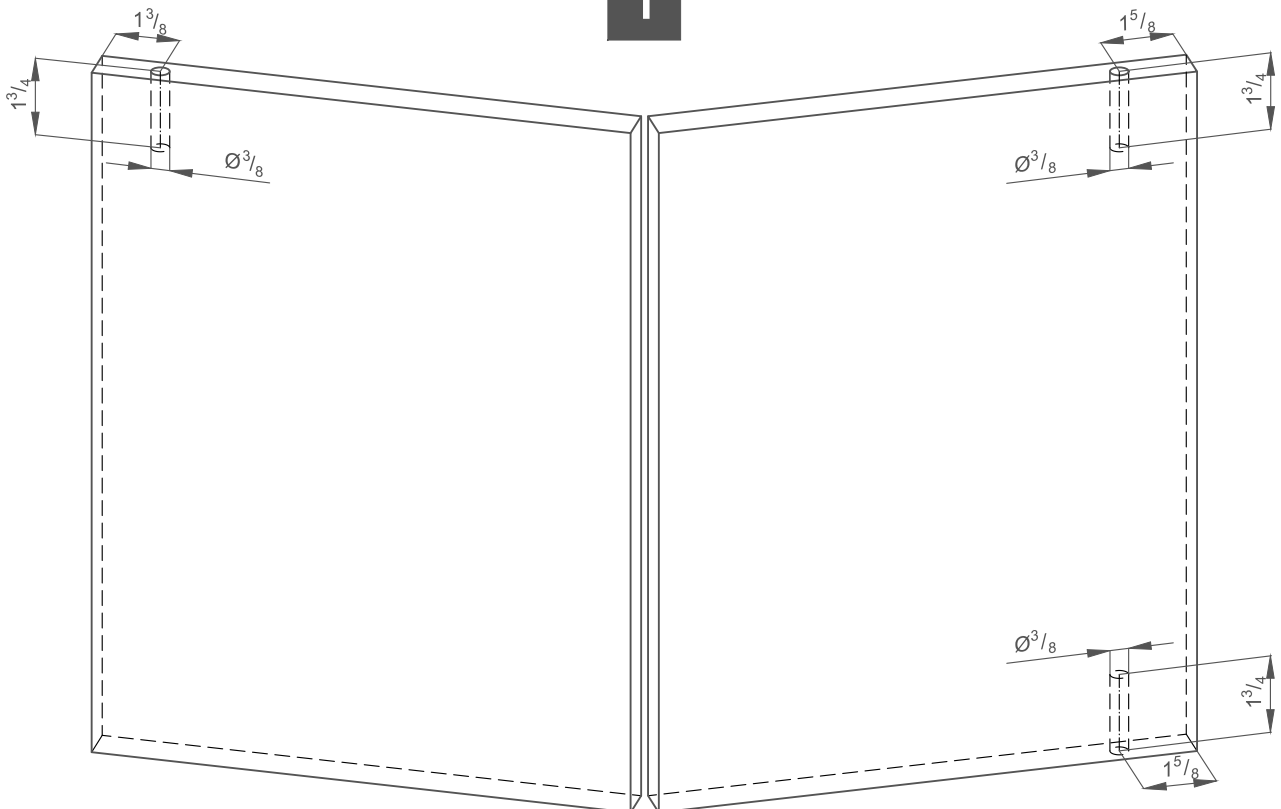
t [inch]	$\frac{7}{8}$	$\frac{7}{8}, 1''$	$1\frac{1}{8}, 1\frac{1}{4}$
x [inch]	0	$\frac{1}{8}$	$\frac{3}{16}$



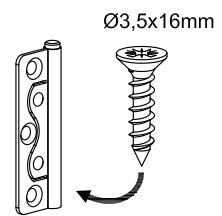
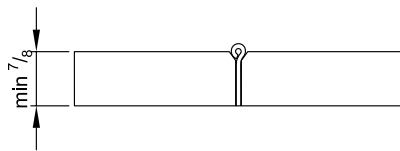
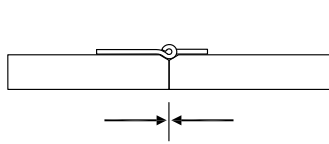
$$d = (L - x - \frac{5}{16}) / 4$$



1



2



3

