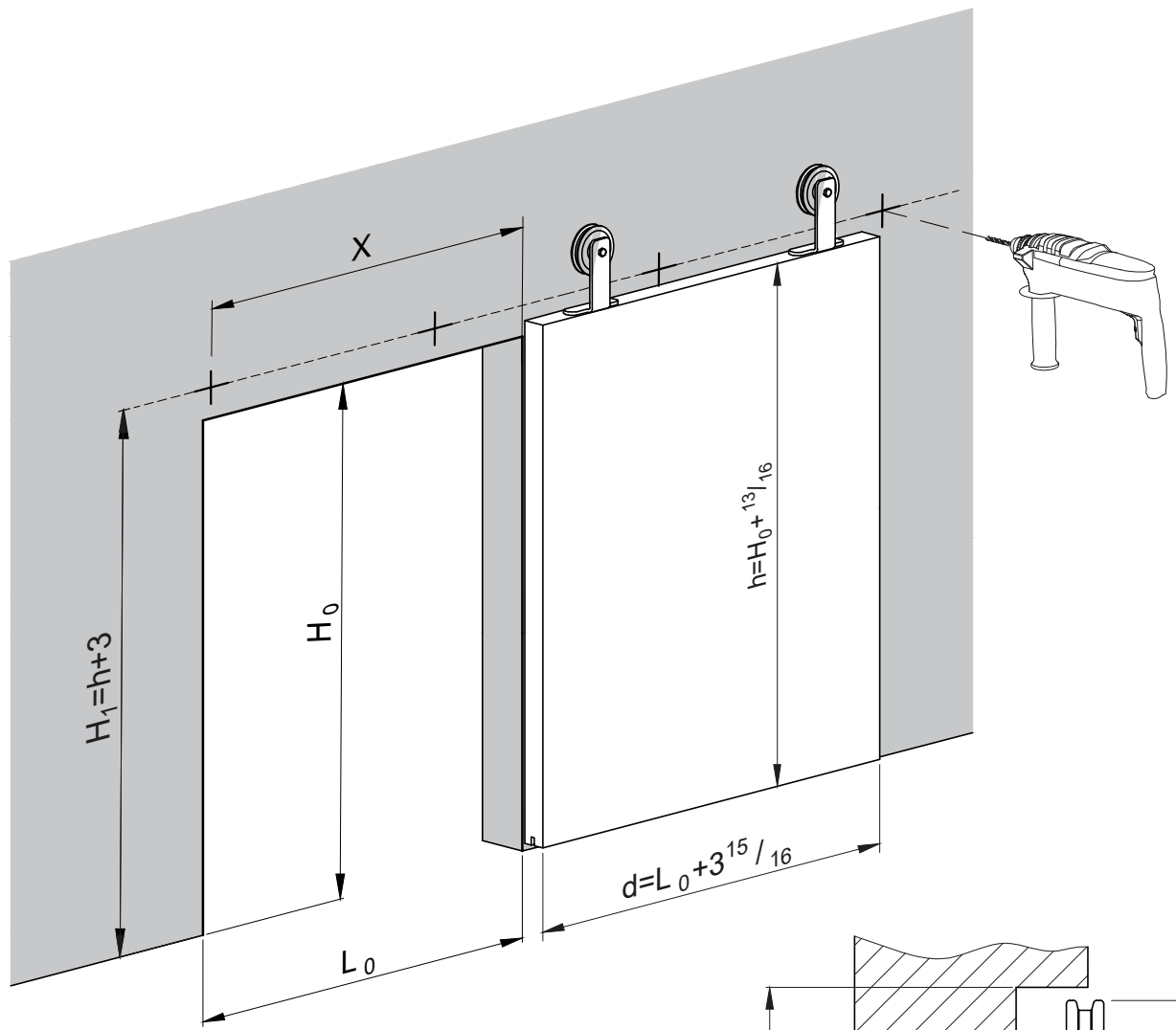
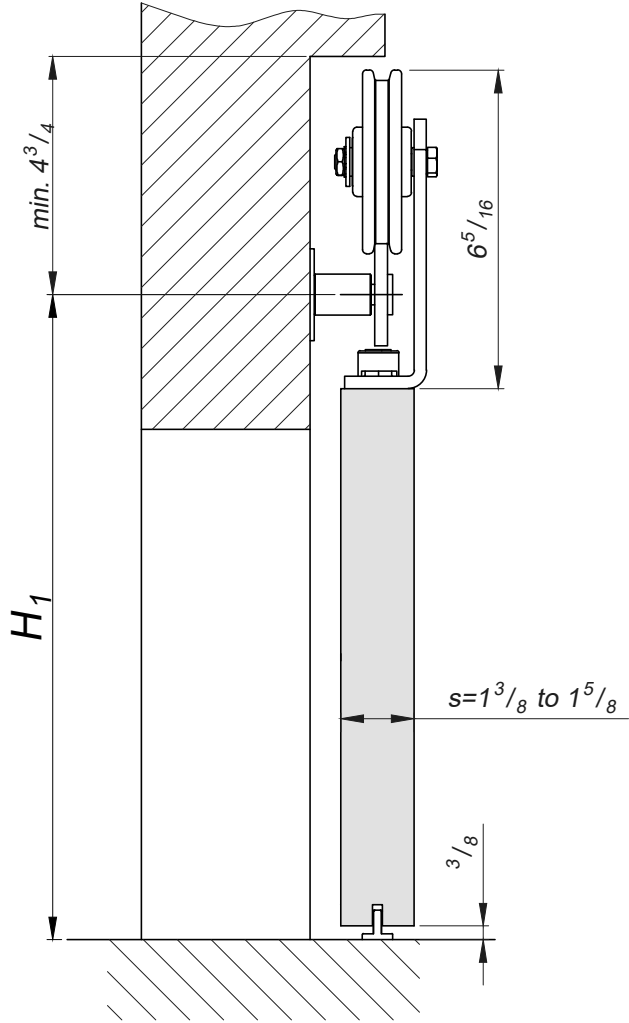
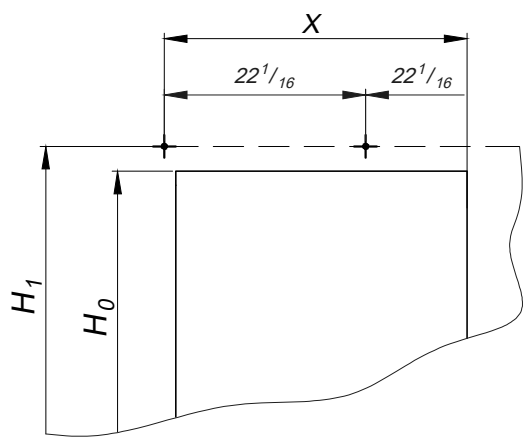


1



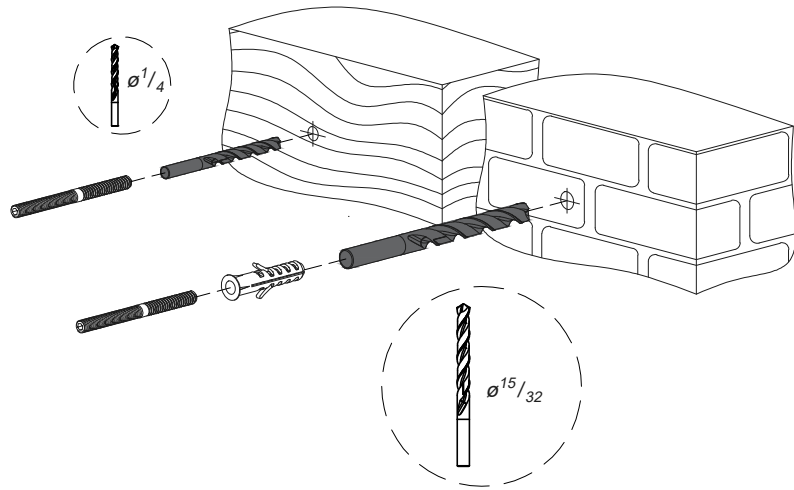
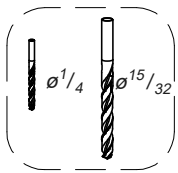
$L_{Track}$ [in]	$76^{3/4}$	$94^{1/2}$	$118^{1/8}$
X [in]	$33^{1/16}$	$44^{1/8}$	$55^{1/8}$



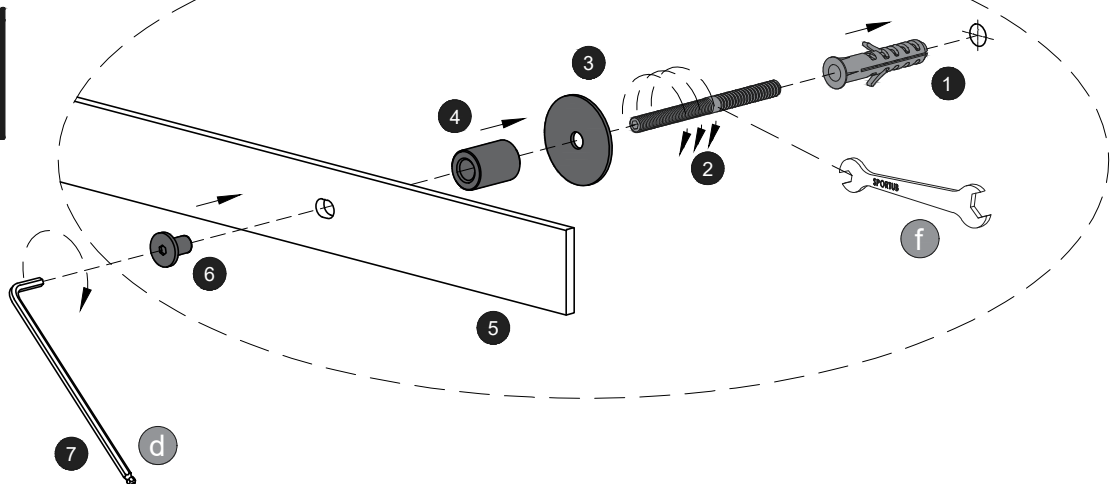
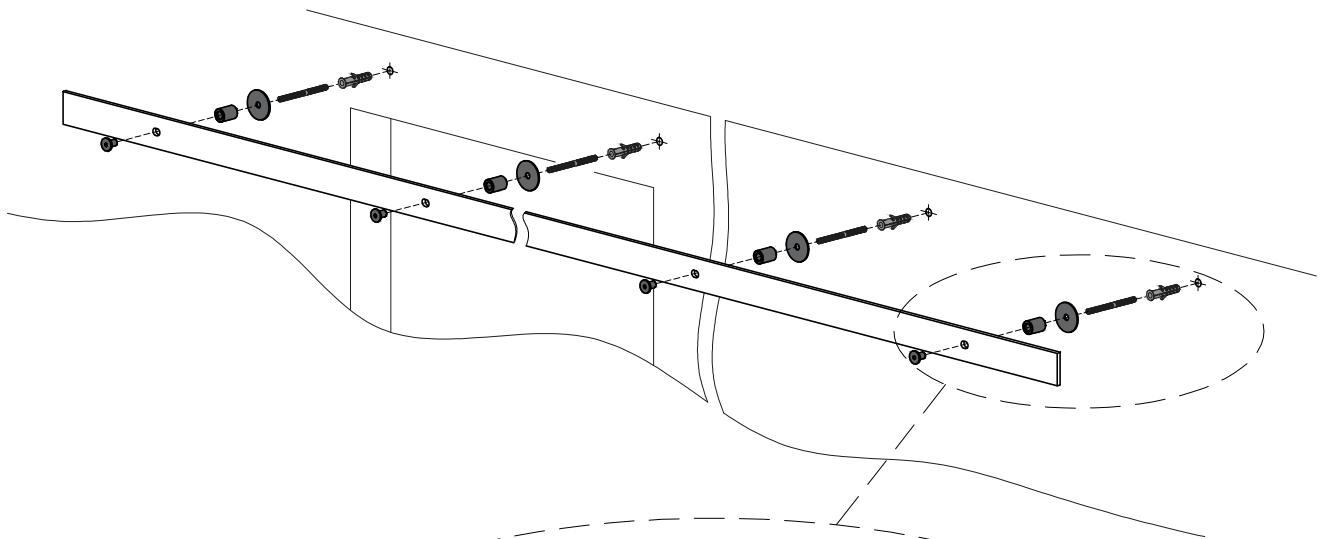
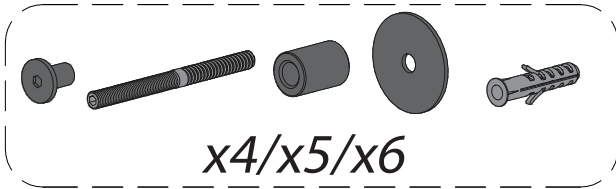
**SU5950**  
**SU5951**

$H_1 = H_0 + 3^{3/16}$   
 $H_1 = h + 2^{3/8}$

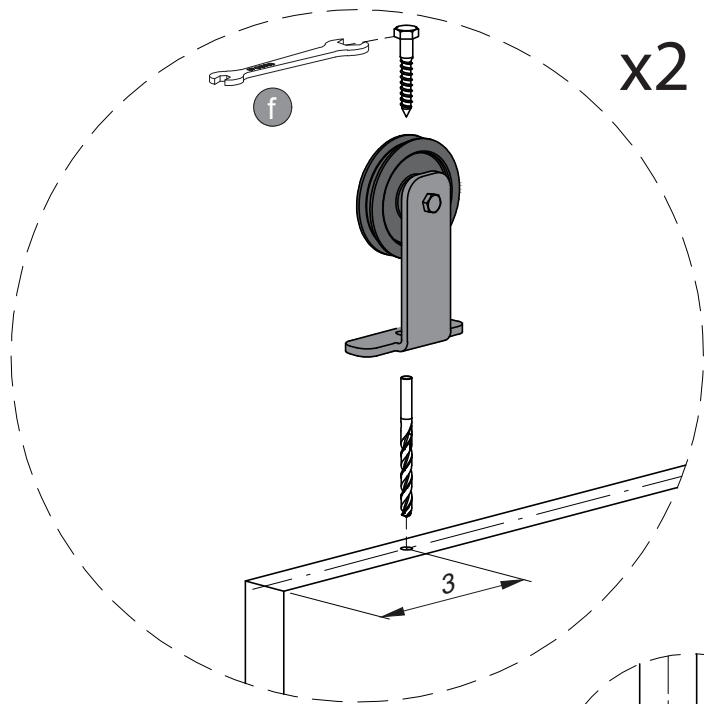
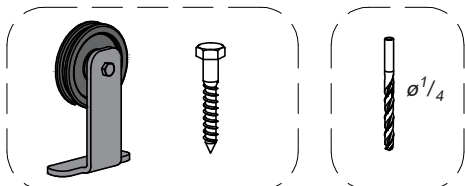
2



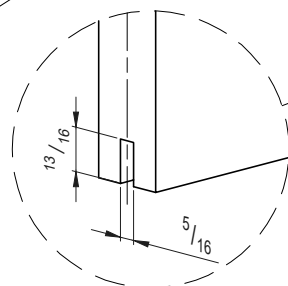
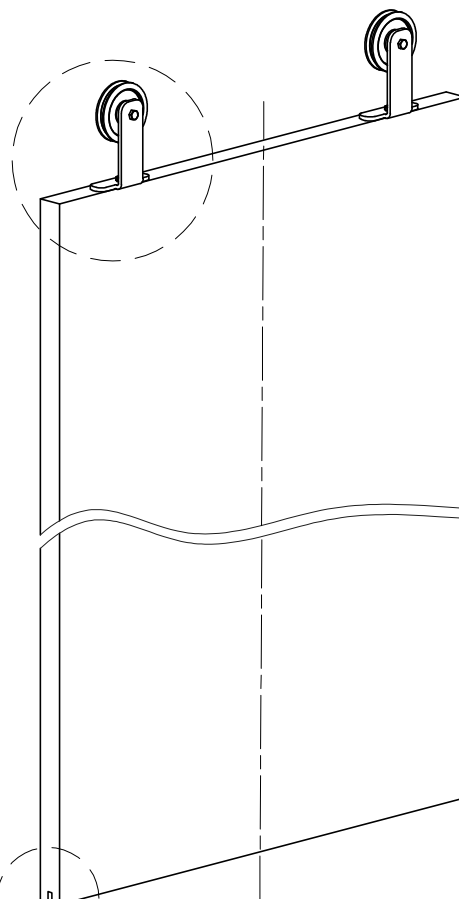
3



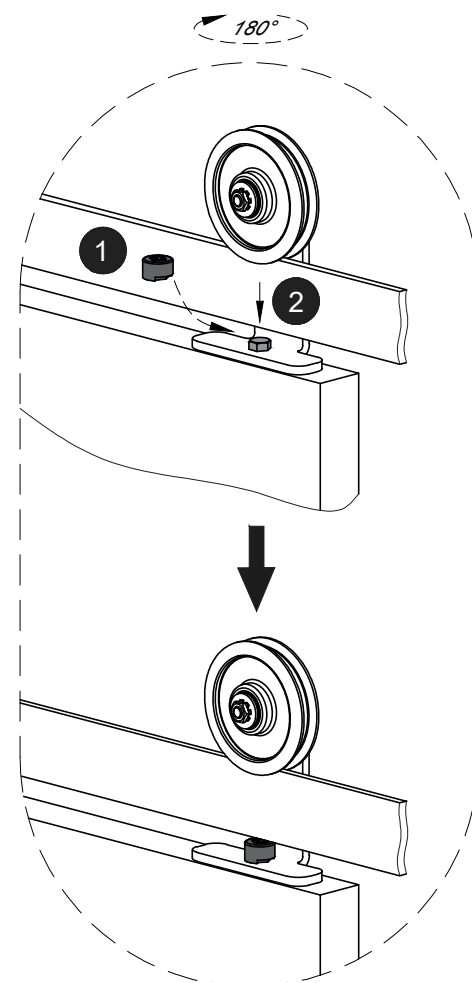
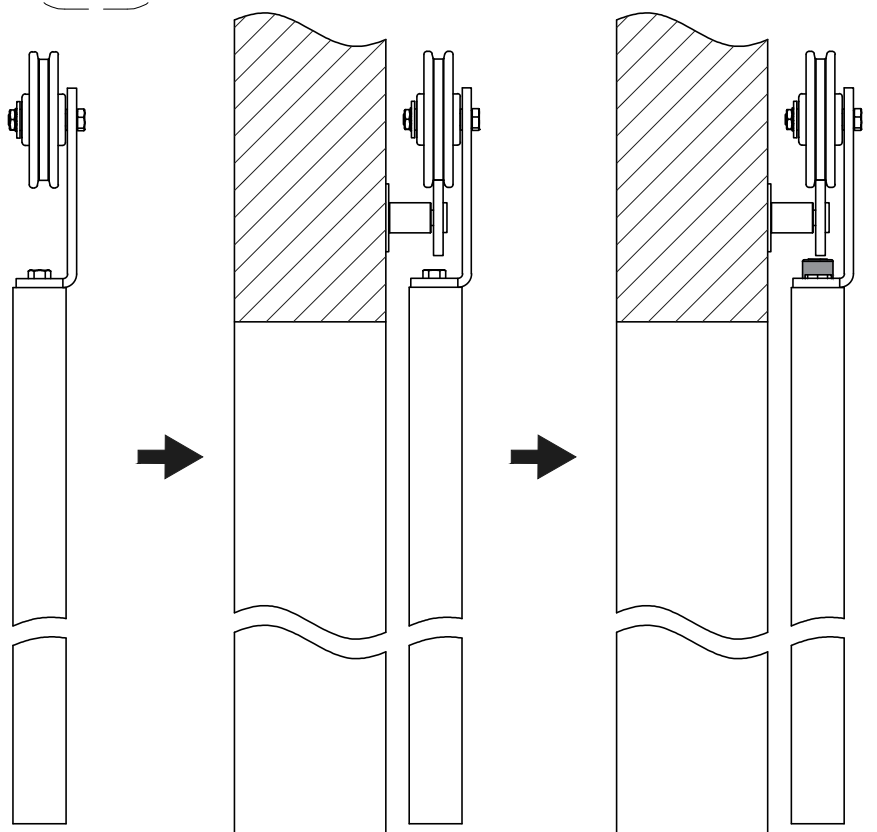
4



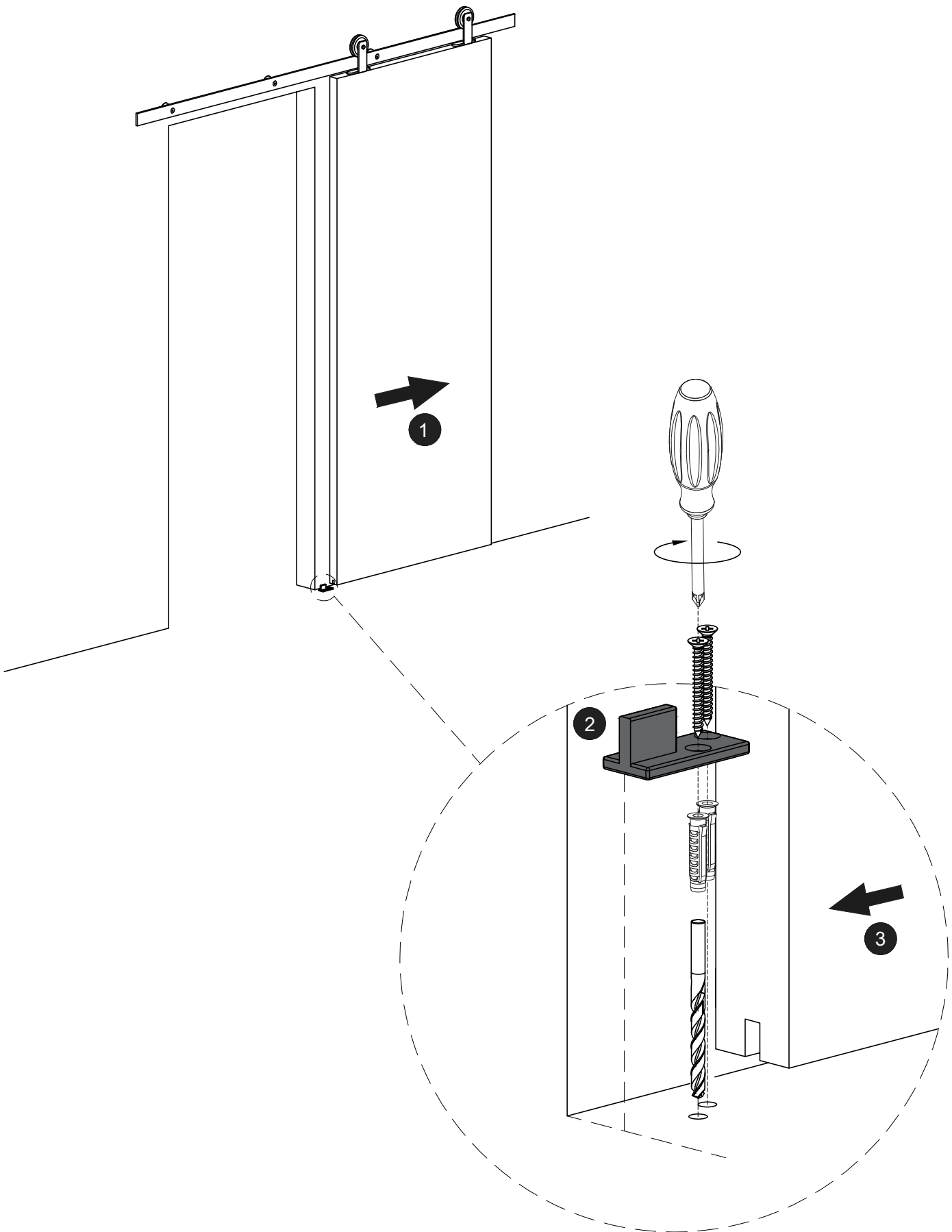
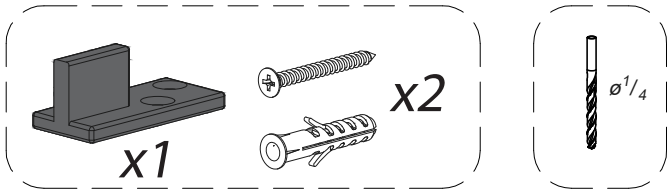
x2



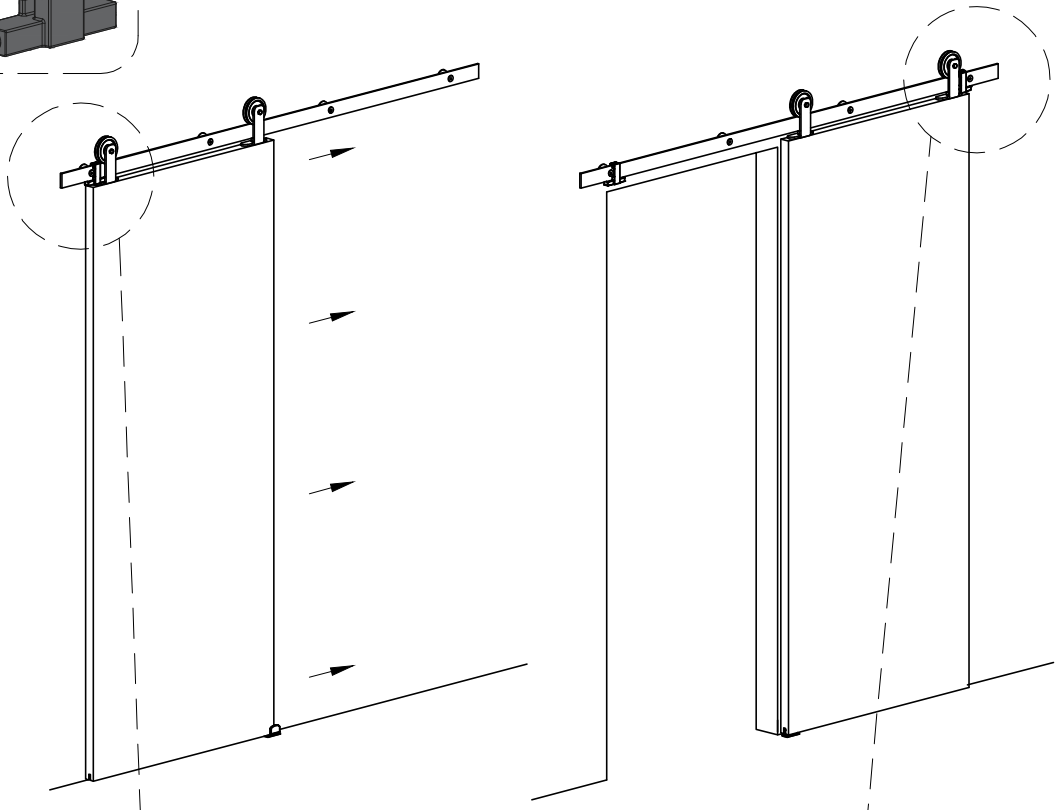
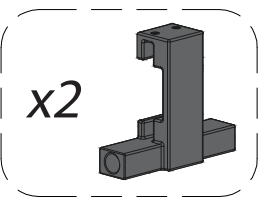
5



6



7



7a

7b

