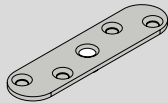
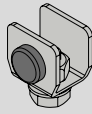


x2



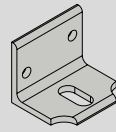
x2



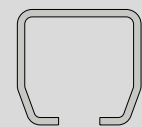
x2



x4



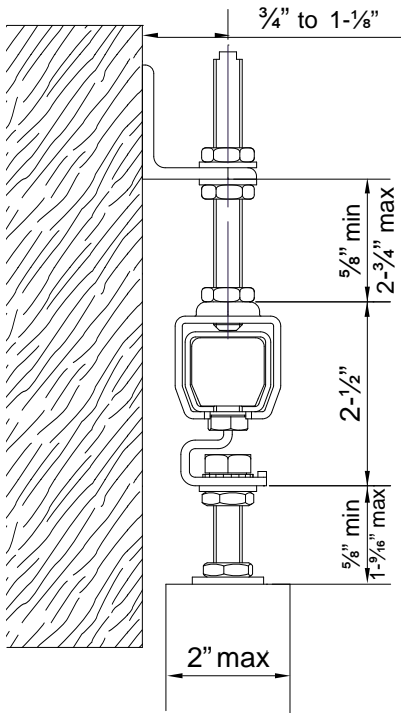
x4



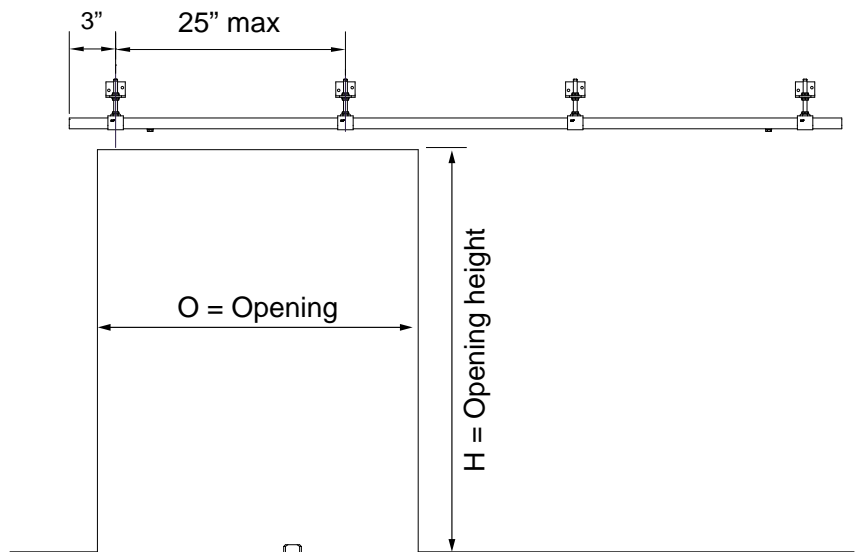
x1



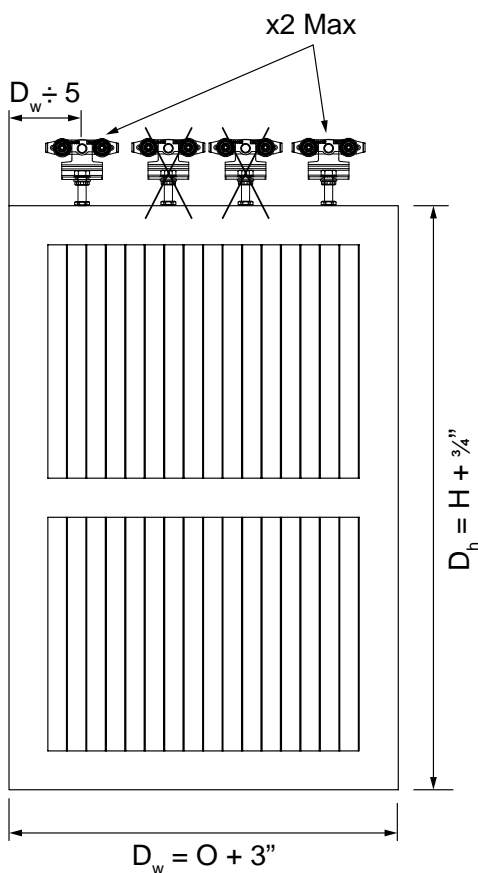
130 lbs



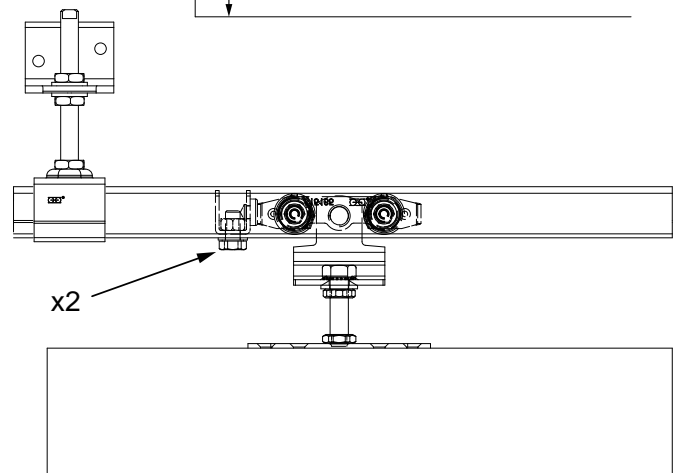
1



2



3



4

OPTION :

