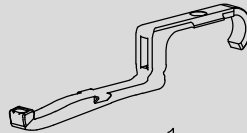


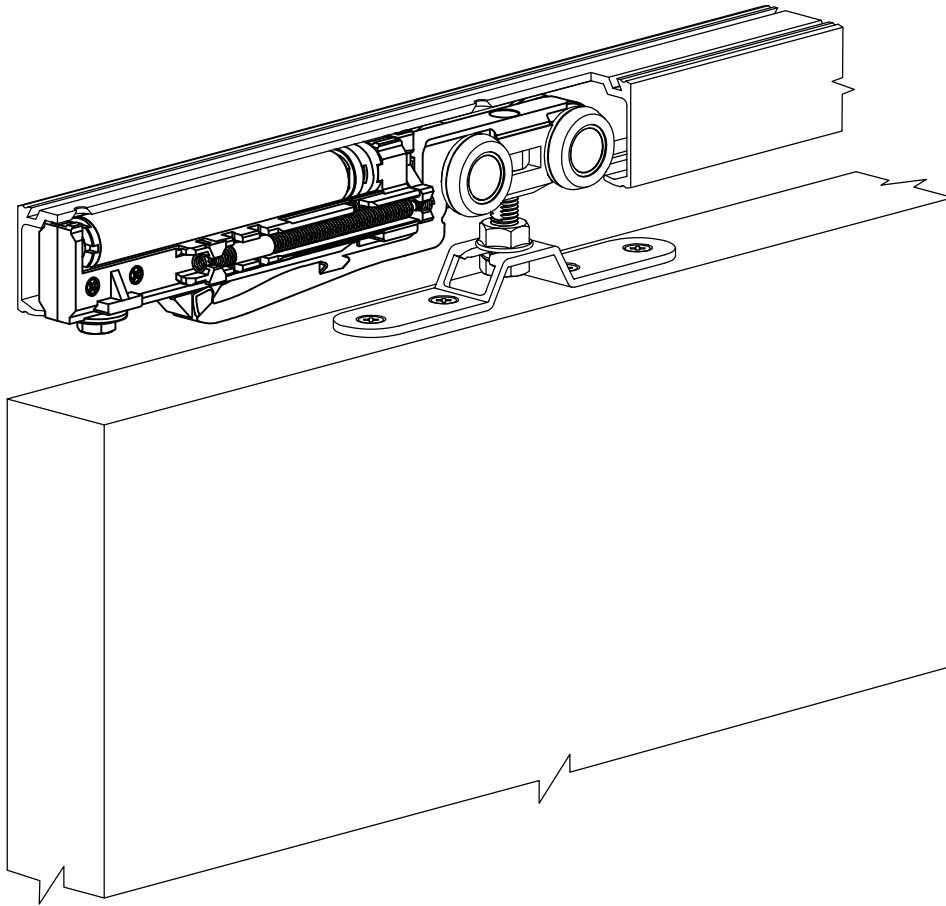
x1



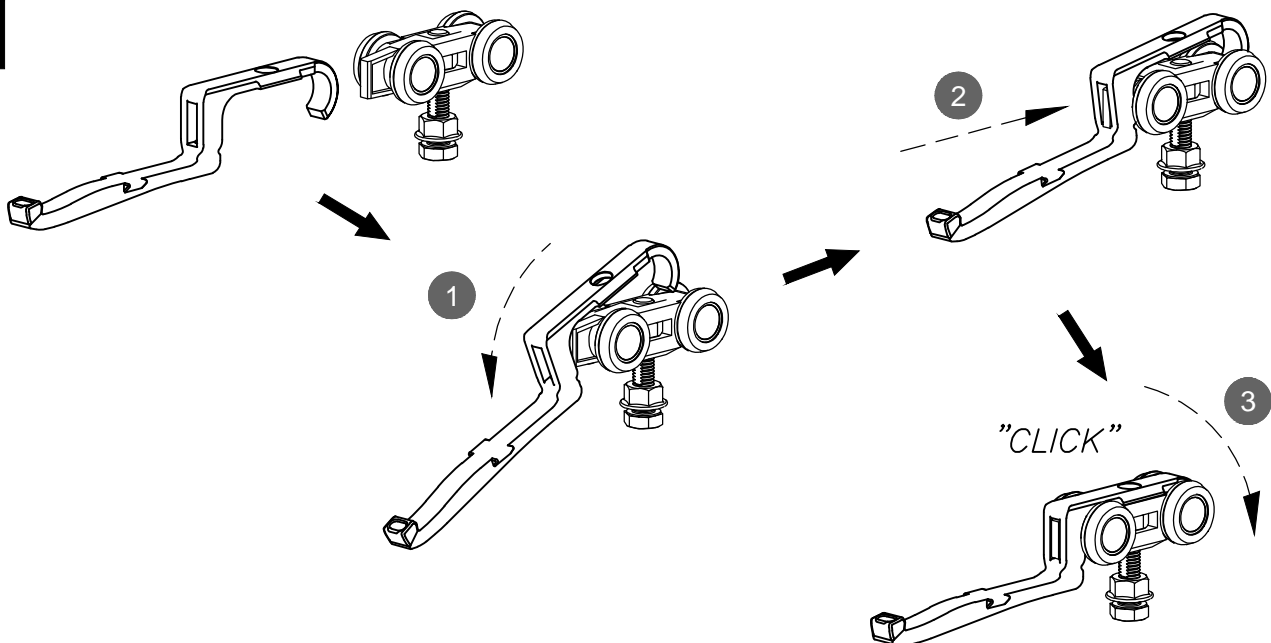
x1

1

x1



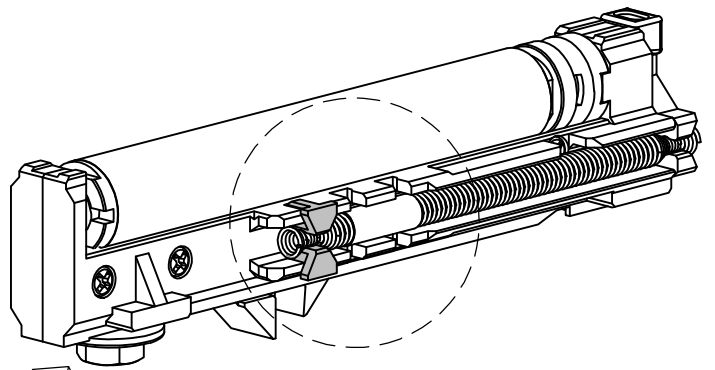
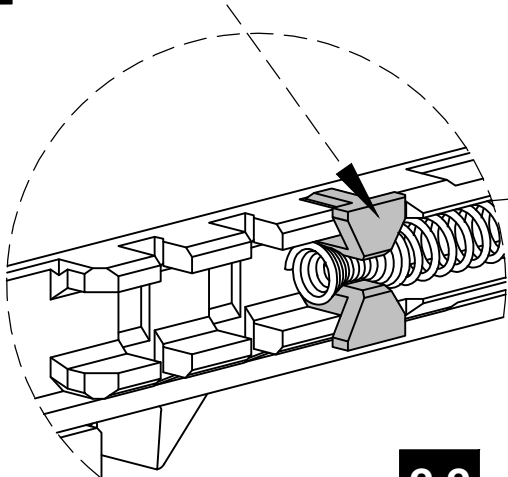
1



2

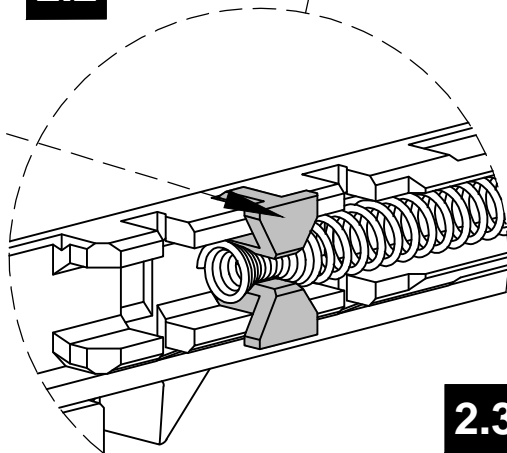
2.1

for door $\leq 90lb$



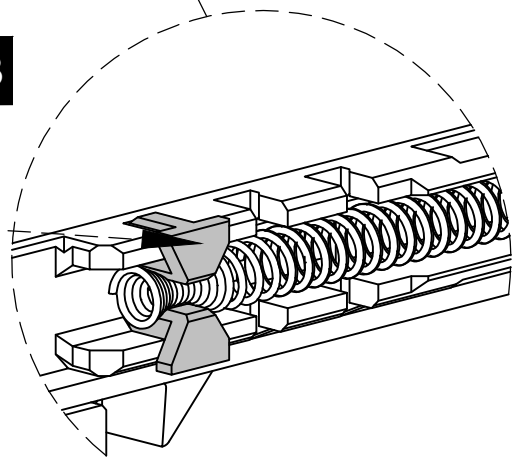
2.2

for door from 90 to 130lb

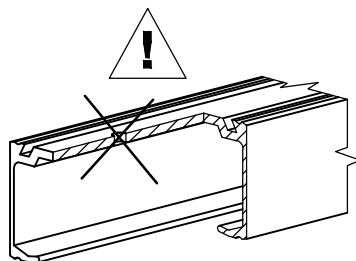
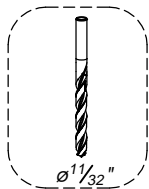


2.3

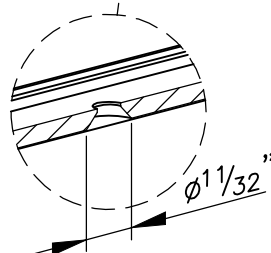
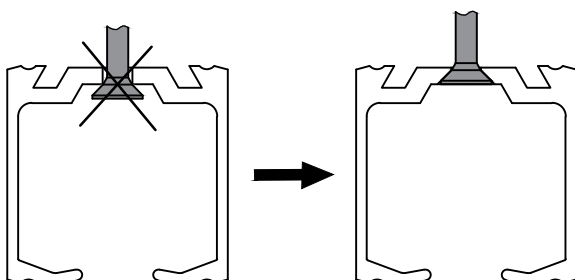
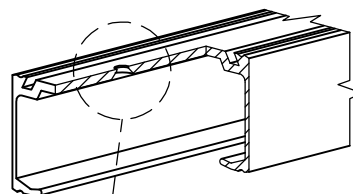
for door from 131 to 180lb



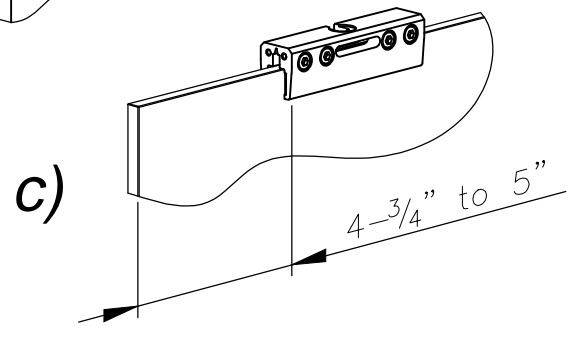
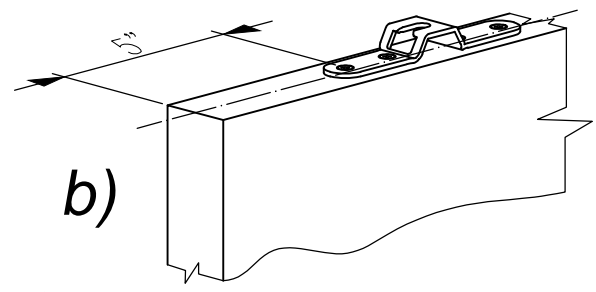
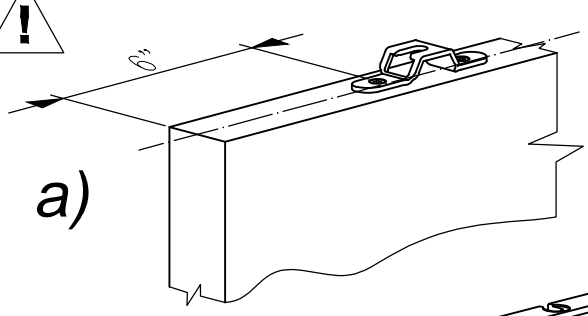
3



xn



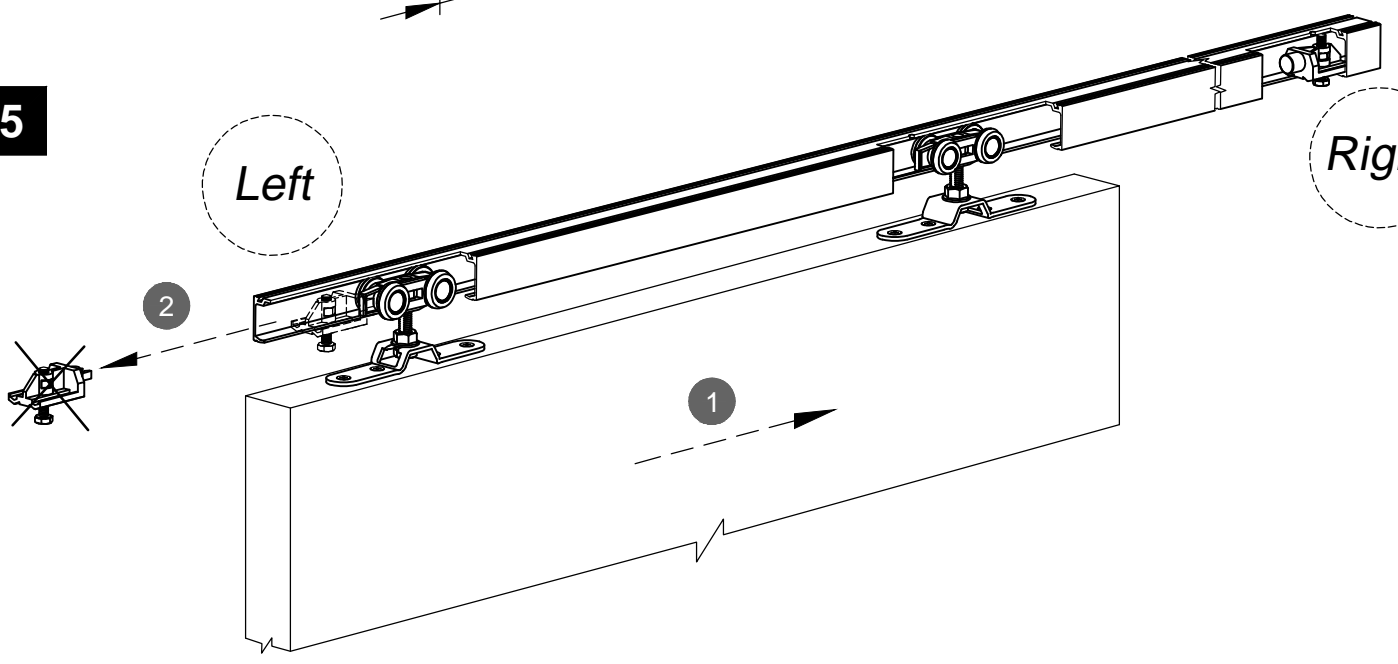
4



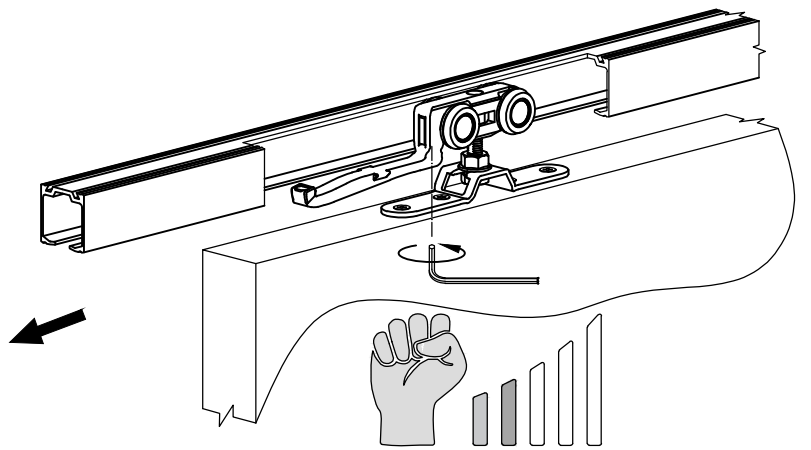
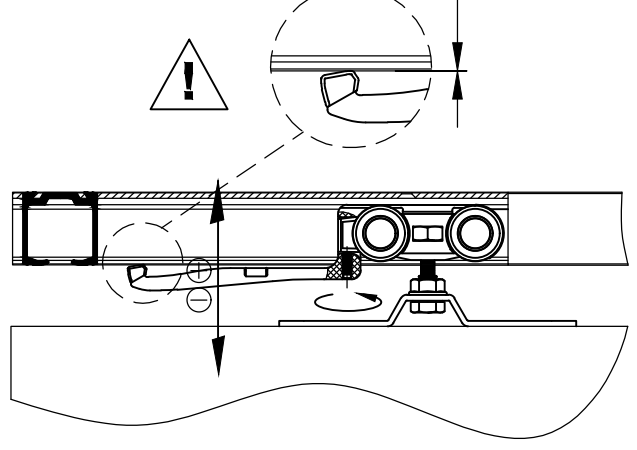
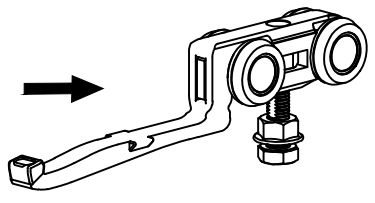
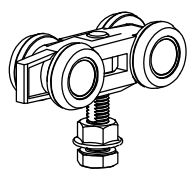
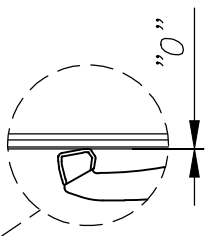
5

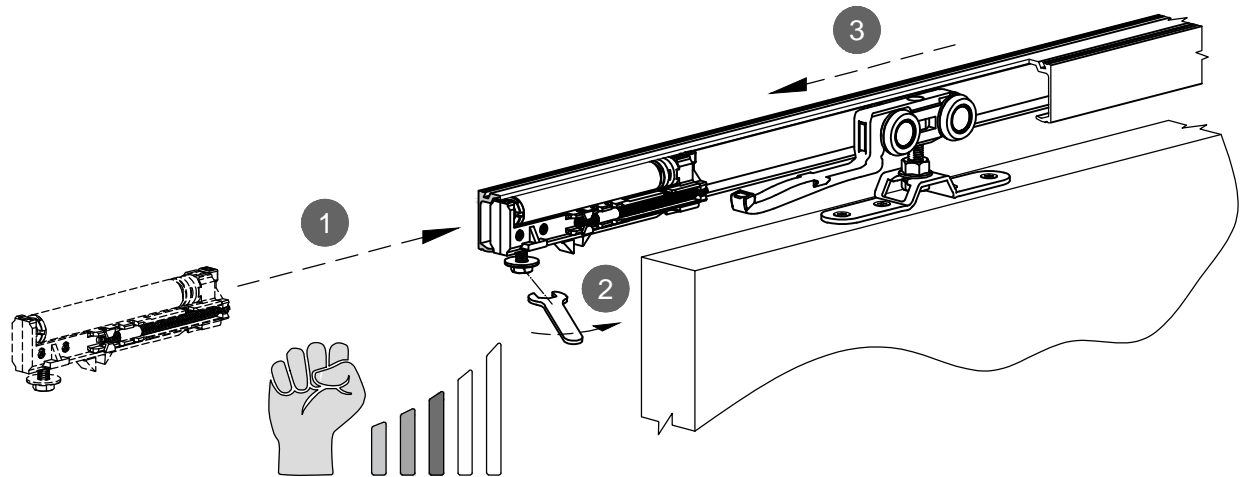
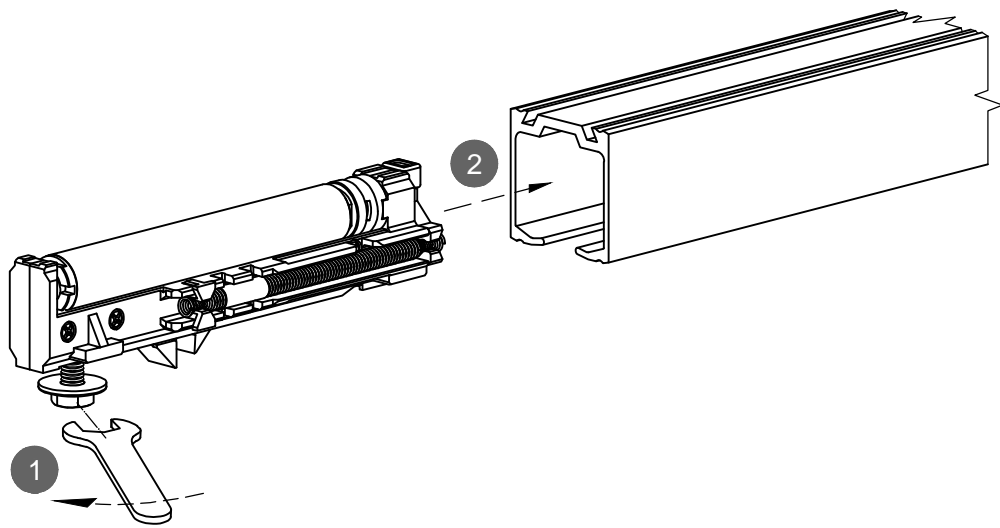
Left

Right



6





9

