



x2



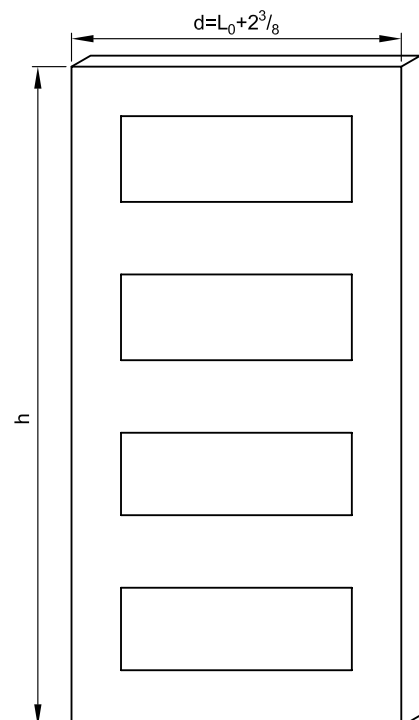
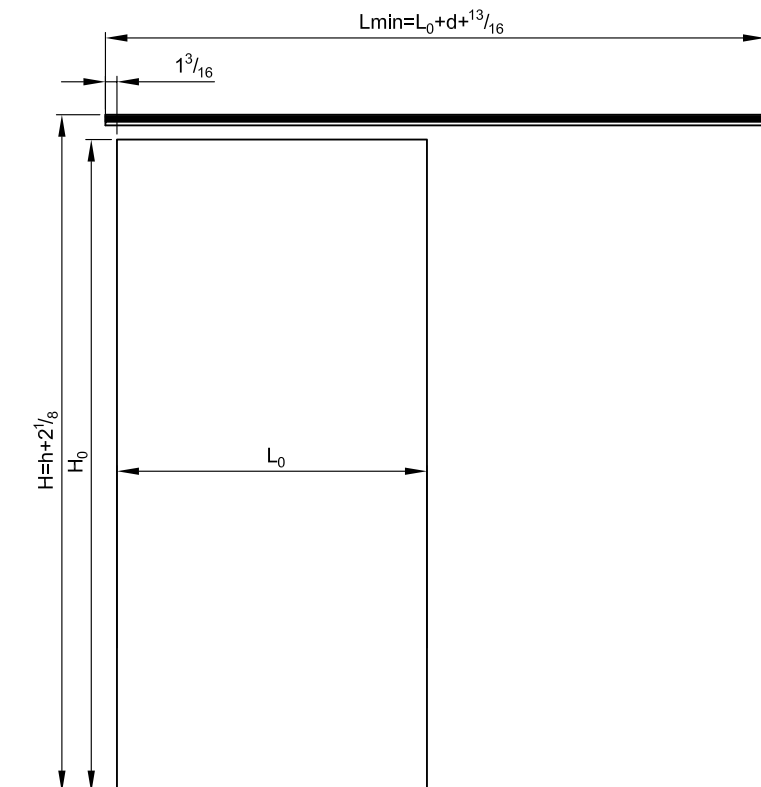
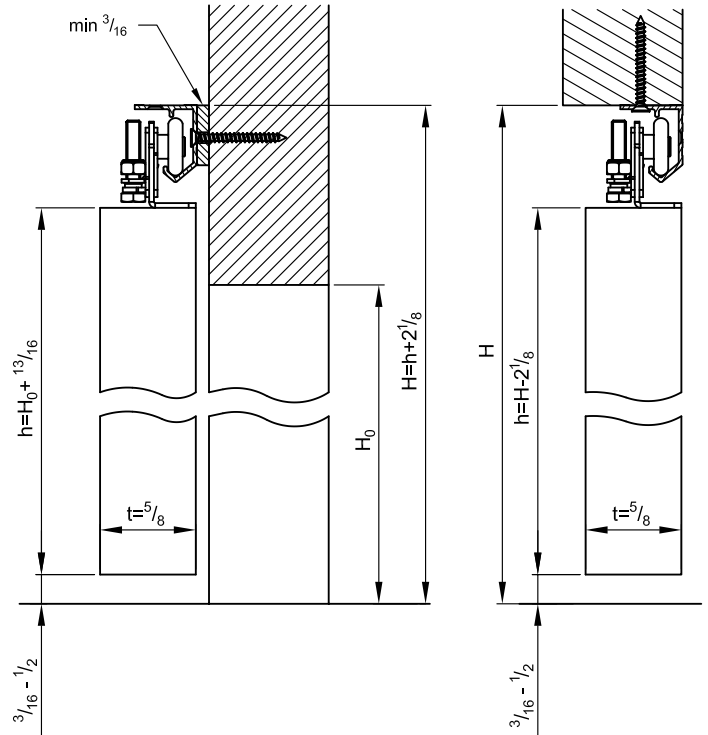
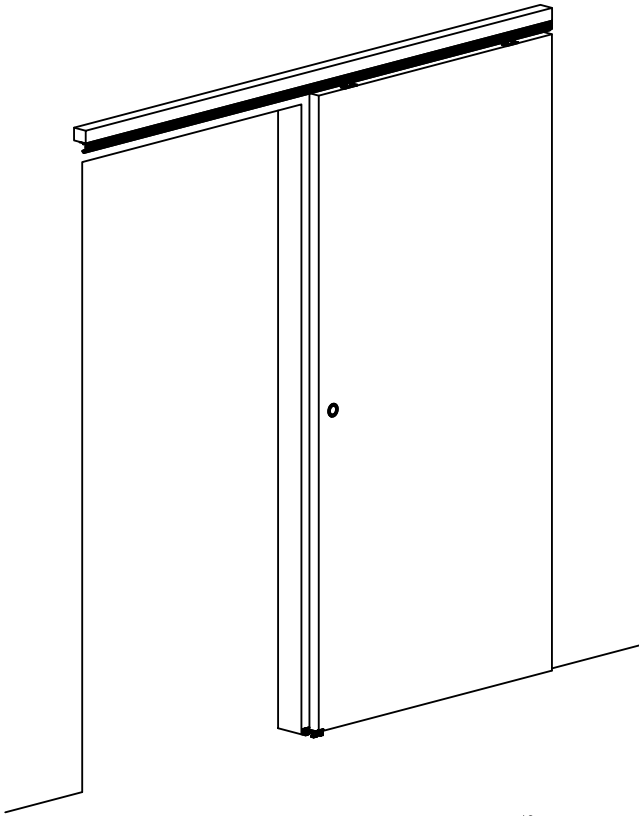
x2

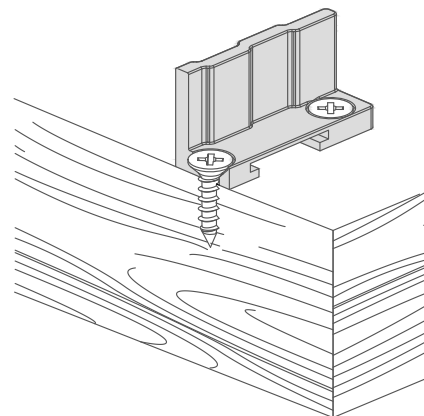
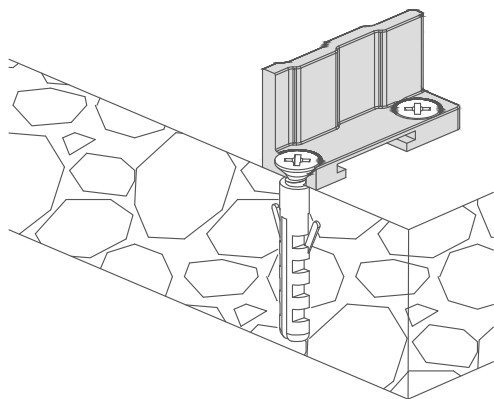
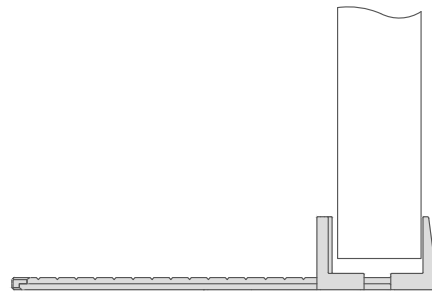
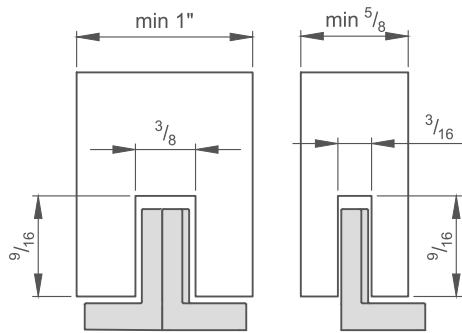
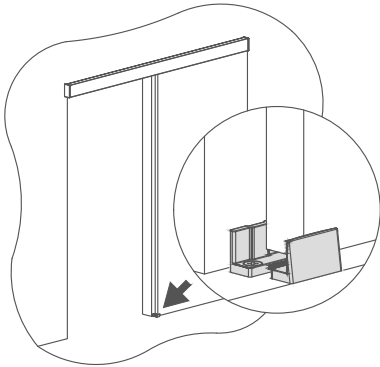
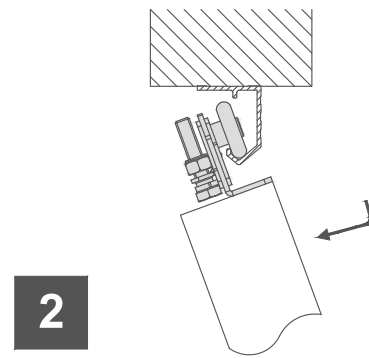
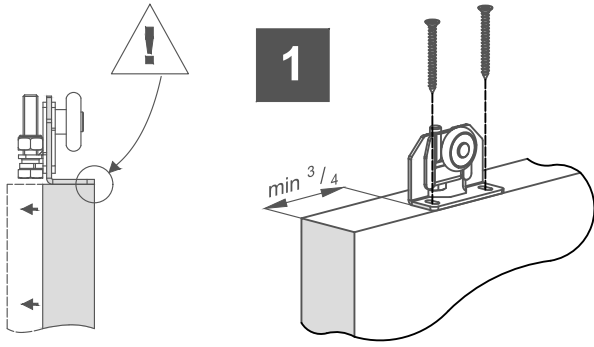


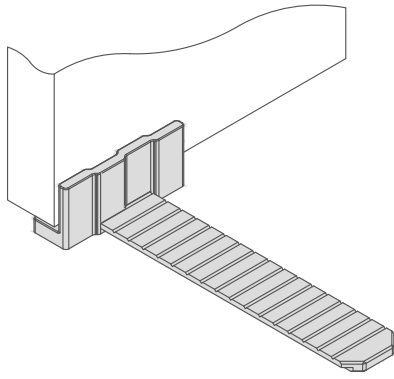
x1



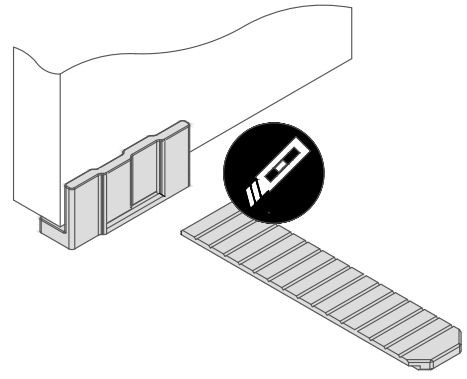
66  
lb







5



6

