



x2



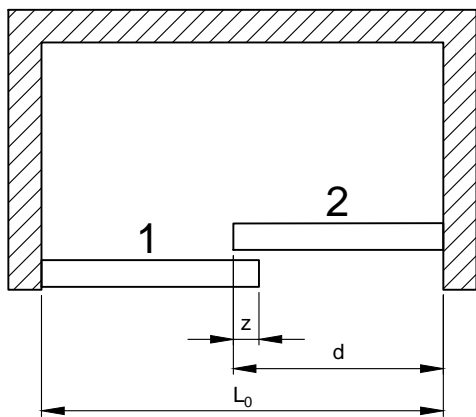
x1



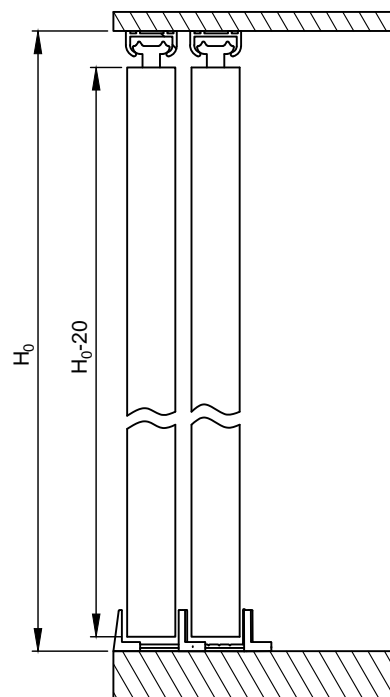
x1



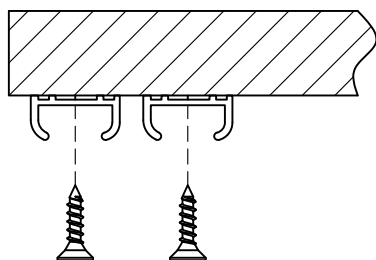
9  
KG



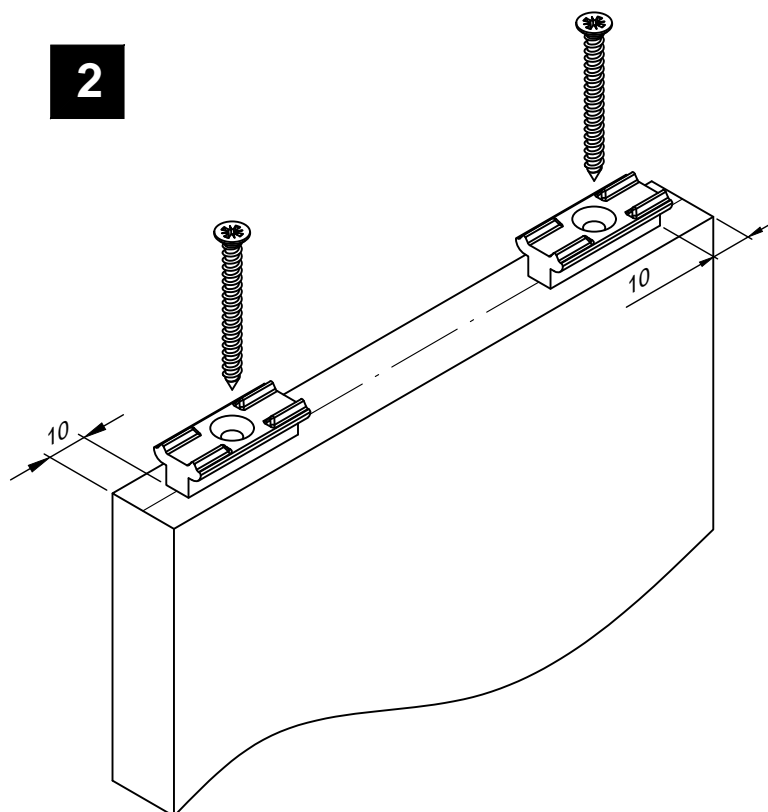
$$d = (L_0 + z) / 2 \quad z = 40$$



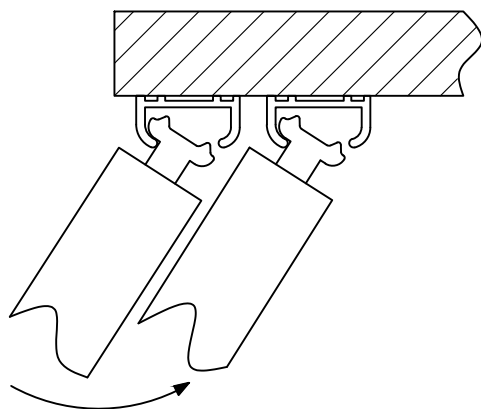
**1**



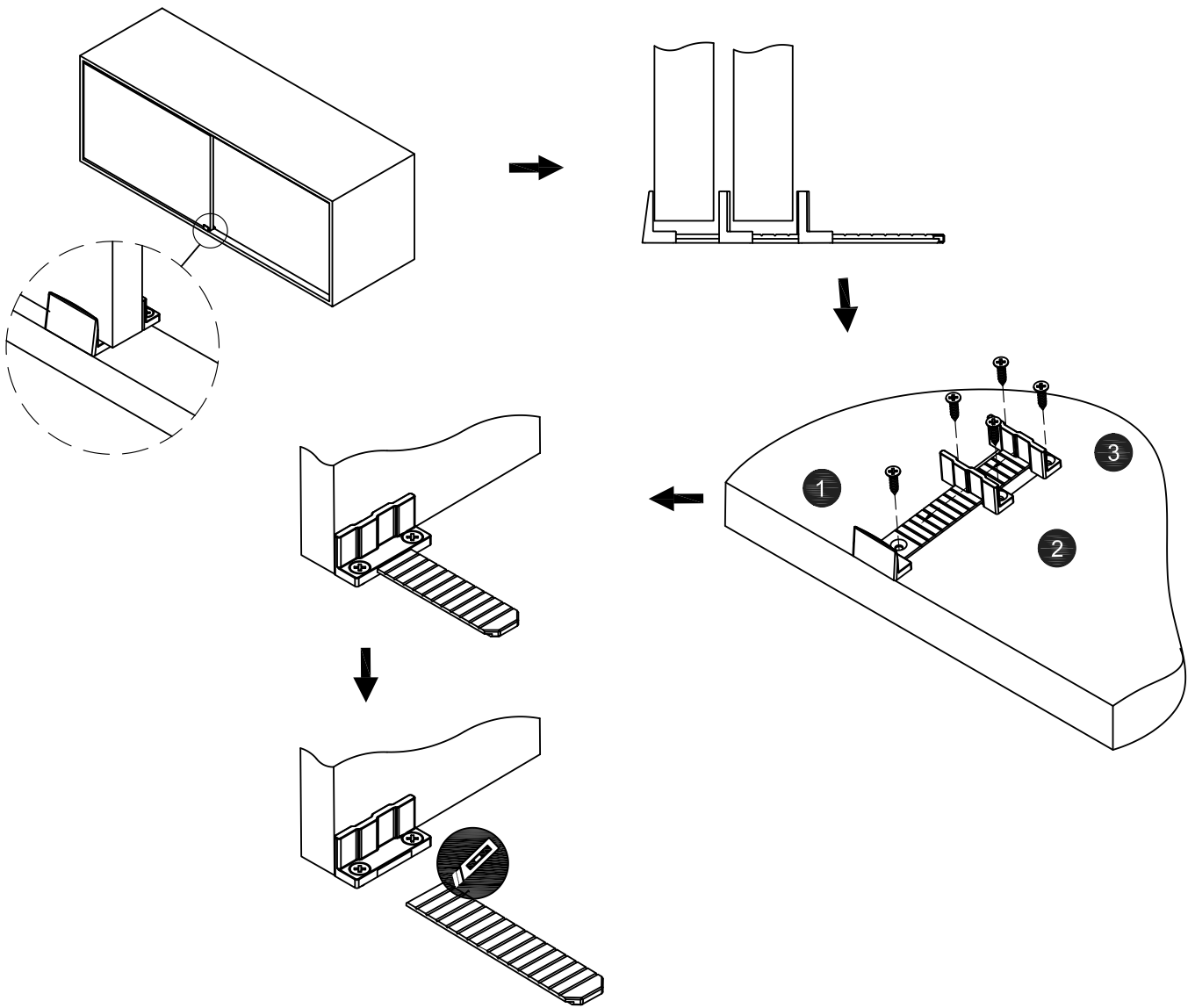
**2**



**3**



4



5

