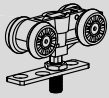


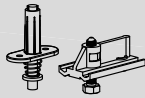
SLID'UP
by MANTION

INSTRUCTION DE MONTAGE
MONTAGEANLEITUNG
INSTRUCTIONS FOR ASSEMBLY
INSTRUCCIONES DE MONTAJE
INSTRUKCJA MONTAŻU

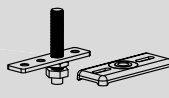
SLID'UP 150
SU5125



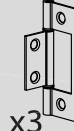
x1



x1



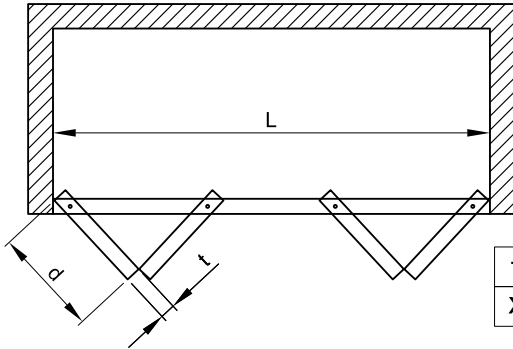
x1



x3

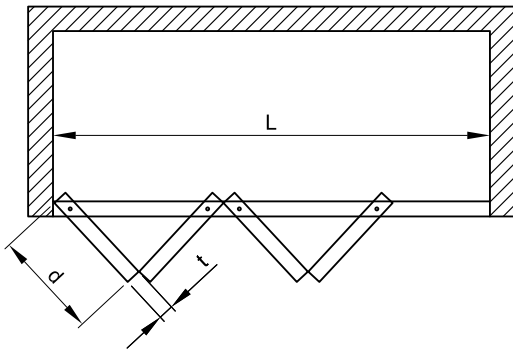


40
KG

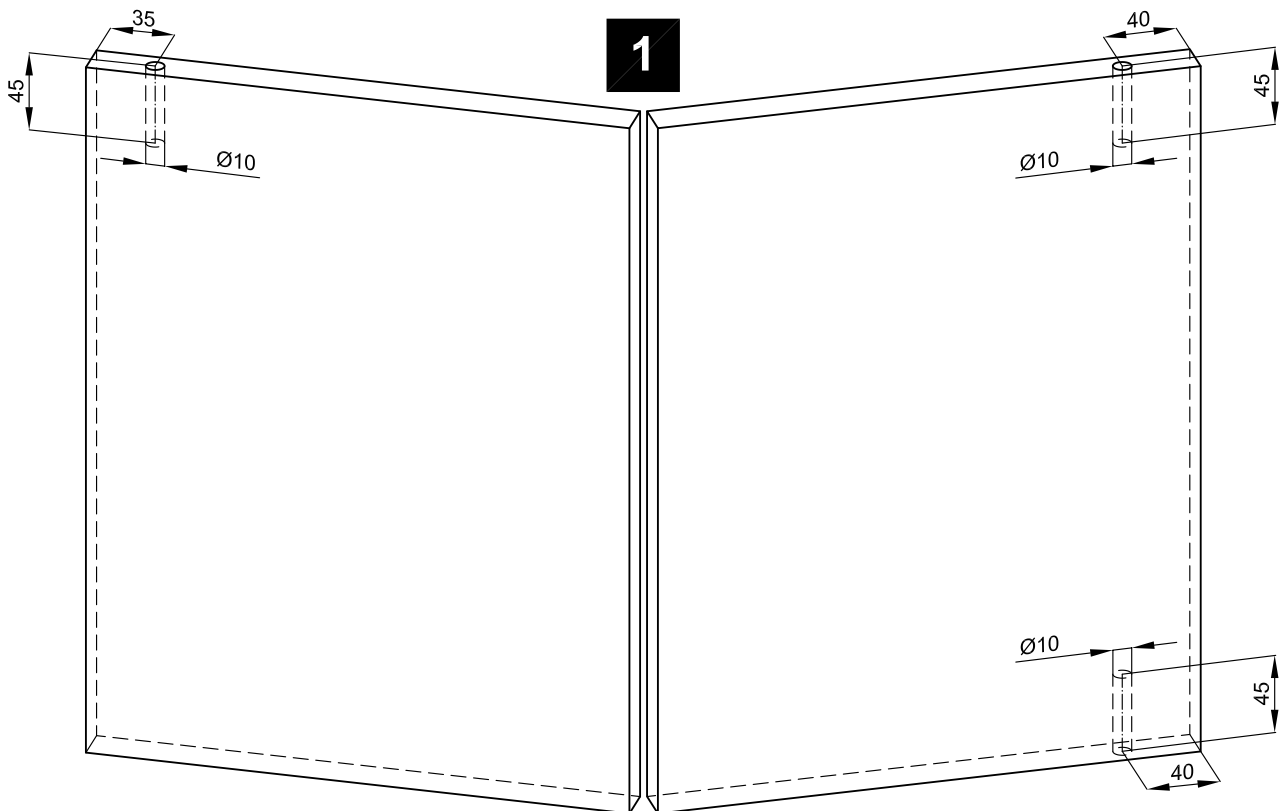
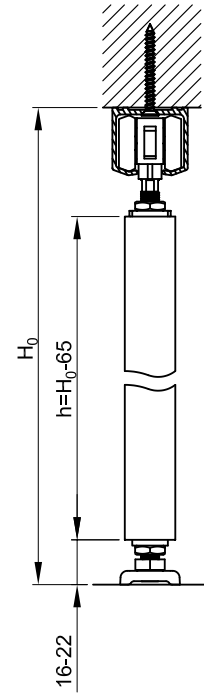


$$d = (L - 2x - 8) / 4$$

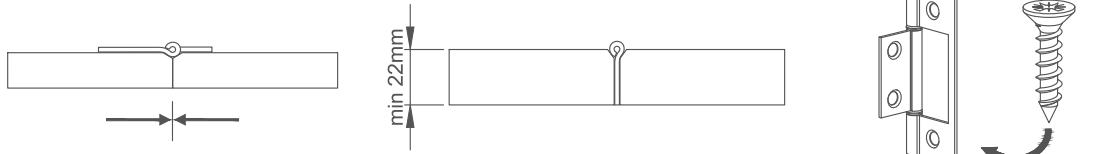
t [mm]	<22	22,25	28,32	40
x [mm]	0	3	4	6



$$d = (L - x - 8) / 4$$



2



3

