



x2



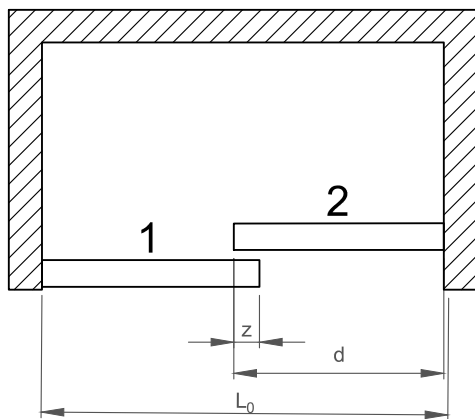
x4



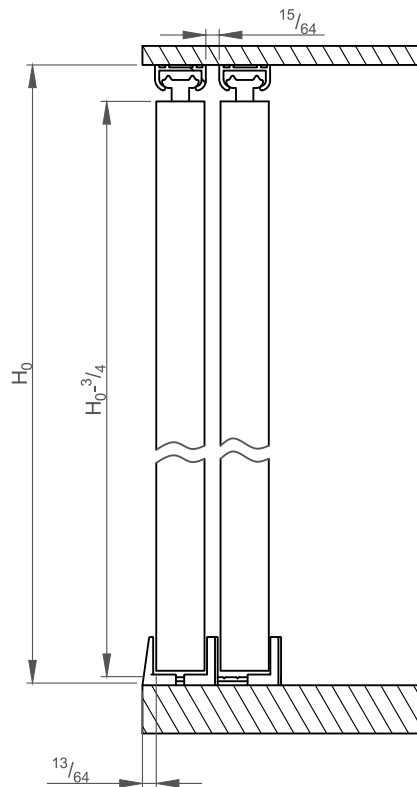
x1



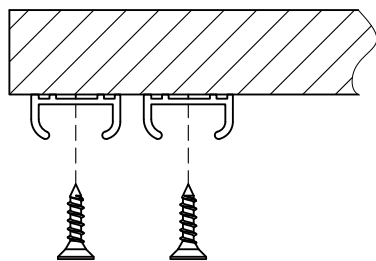
x1



$$d = (L_0 + z) / 2 \quad z = 1^9 / 16$$

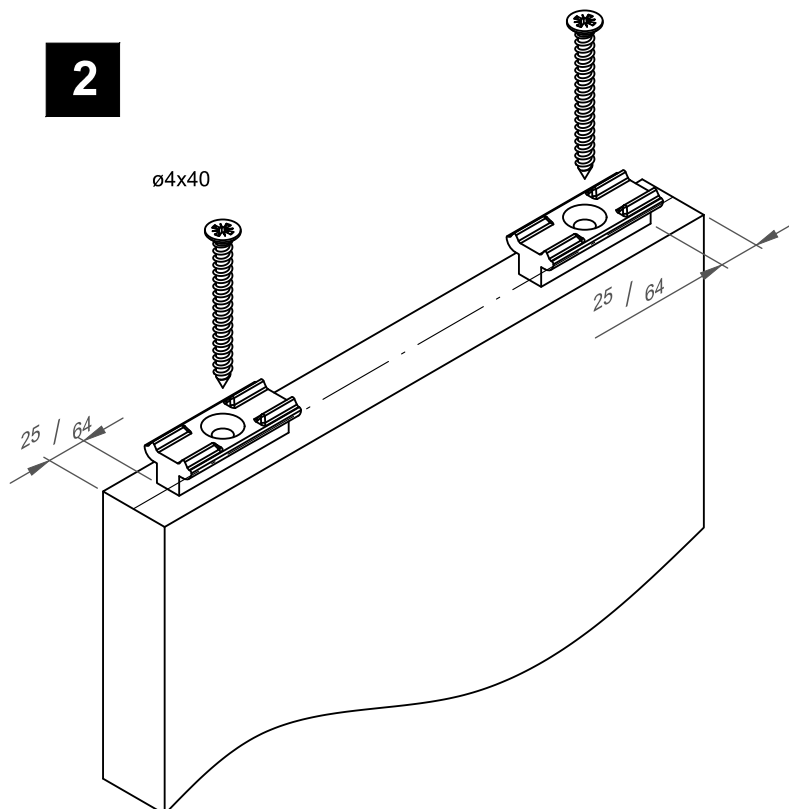


1

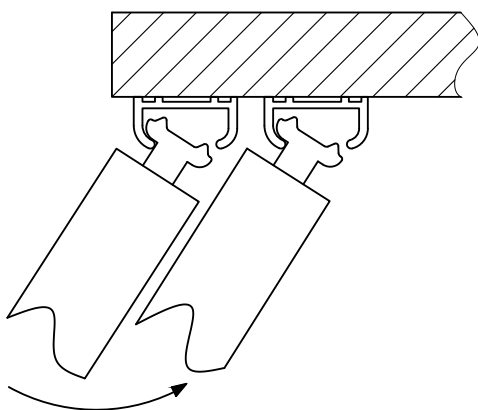


ø3,5x16

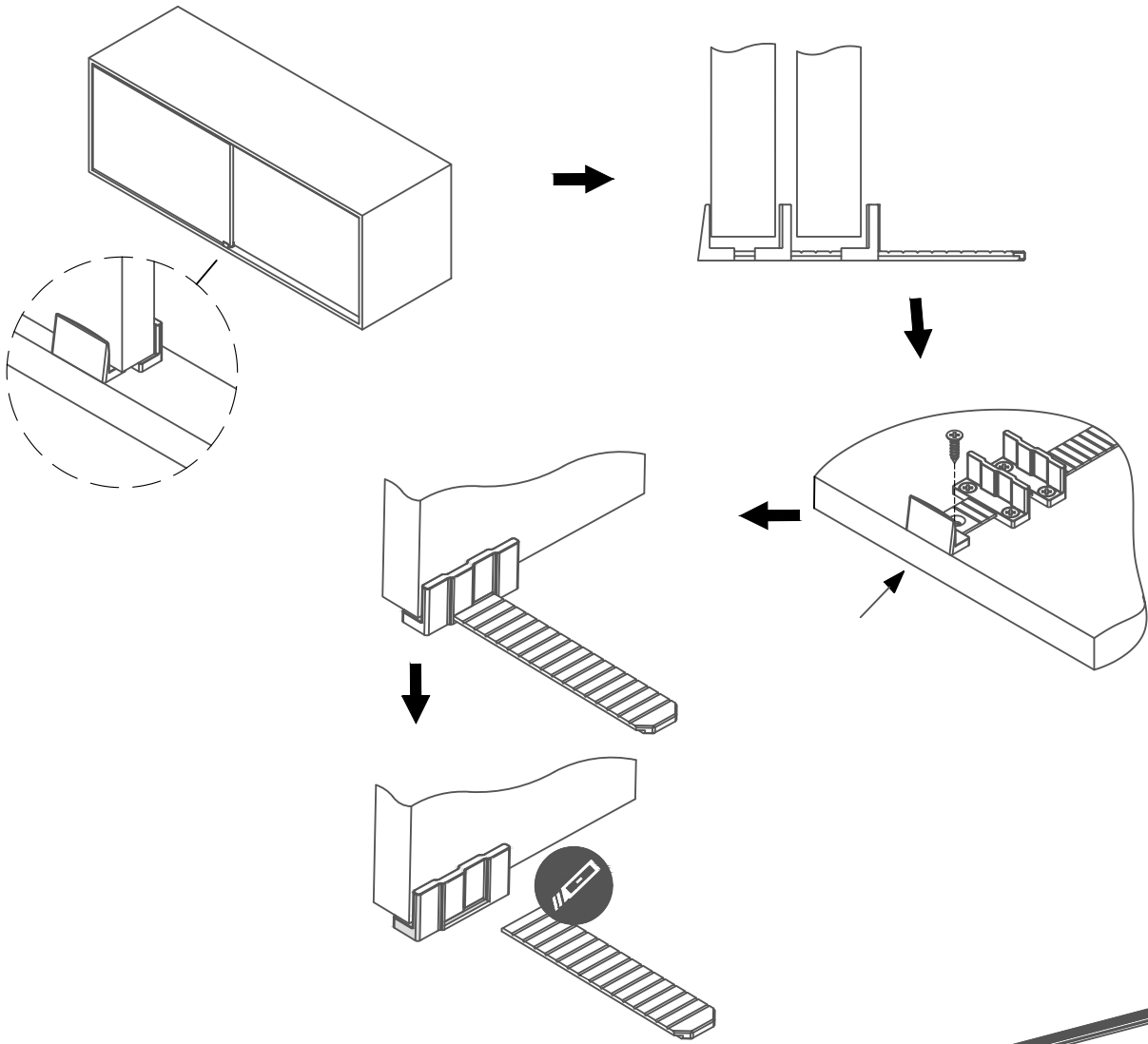
2



3



4



5

